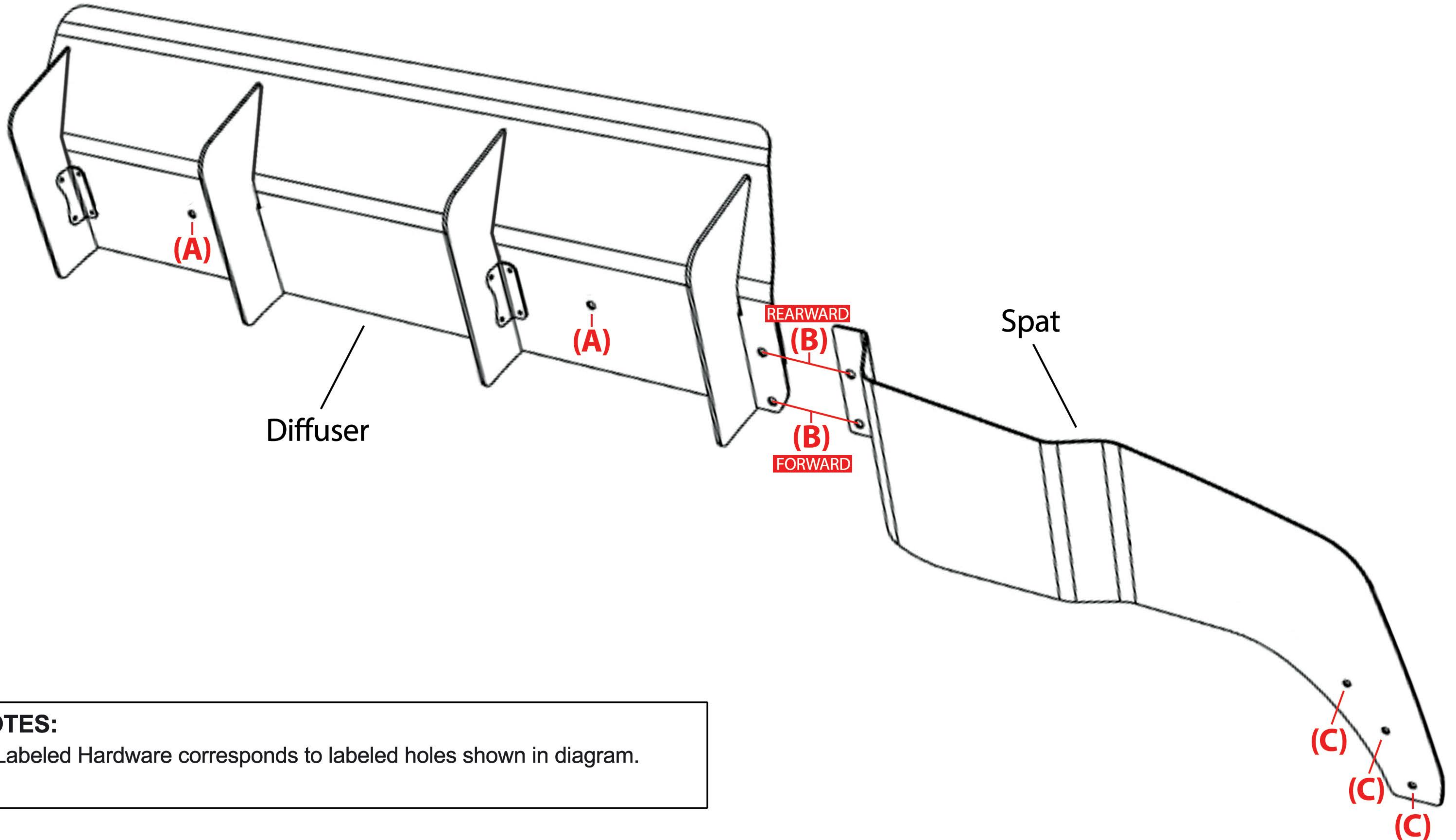


INSTALLATION GUIDE:
VW MK7.5 GTI - REAR DIFFUSER (STREET EDITION)



NOTES:
1. Labeled Hardware corresponds to labeled holes shown in diagram.

INSTALLATION GUIDE: VW MK7.5 GTI - REAR DIFFUSER (STREET EDITION)

HARDWARE (A)

QTY	DESCRIPTION
2	1/4-20 X 1" BOLT (BLK OX)
2	1/4" X .625 OD WASHER (BLK OX)
2	1/4-20 17/32 HOLE CENTER U-NUT (BLK OX)

HARDWARE (B)

QTY	DESCRIPTION
4	1/4-20 X 1" BOLT (BLK OX)
4	1/4" X .625 OD WASHER (BLK OX)
4	M6 X 18MM OD WASHER
4	1/4-20 LOCKNUT

HARDWARE (C)

QTY	DESCRIPTION
6	1/4-20 X 1" BOLT (BLK OX)
6	1/4-20 X .625" OD WASHER (BLK OX)
6	1/4-20 RIVNUT

MAKE THE FOLLOWING TOOLS READY FOR USE

- Drill •1/8" Drill Bit •1/4" Drill Bit •25/64" Drill Bit •T-15 Torx
- 5/32" Hex Drive •7/16" Wrench •Phillips Screwdriver
- 1/4-20 Rivnut Gun •Medium Threadlock •Light Colored Marking Tool

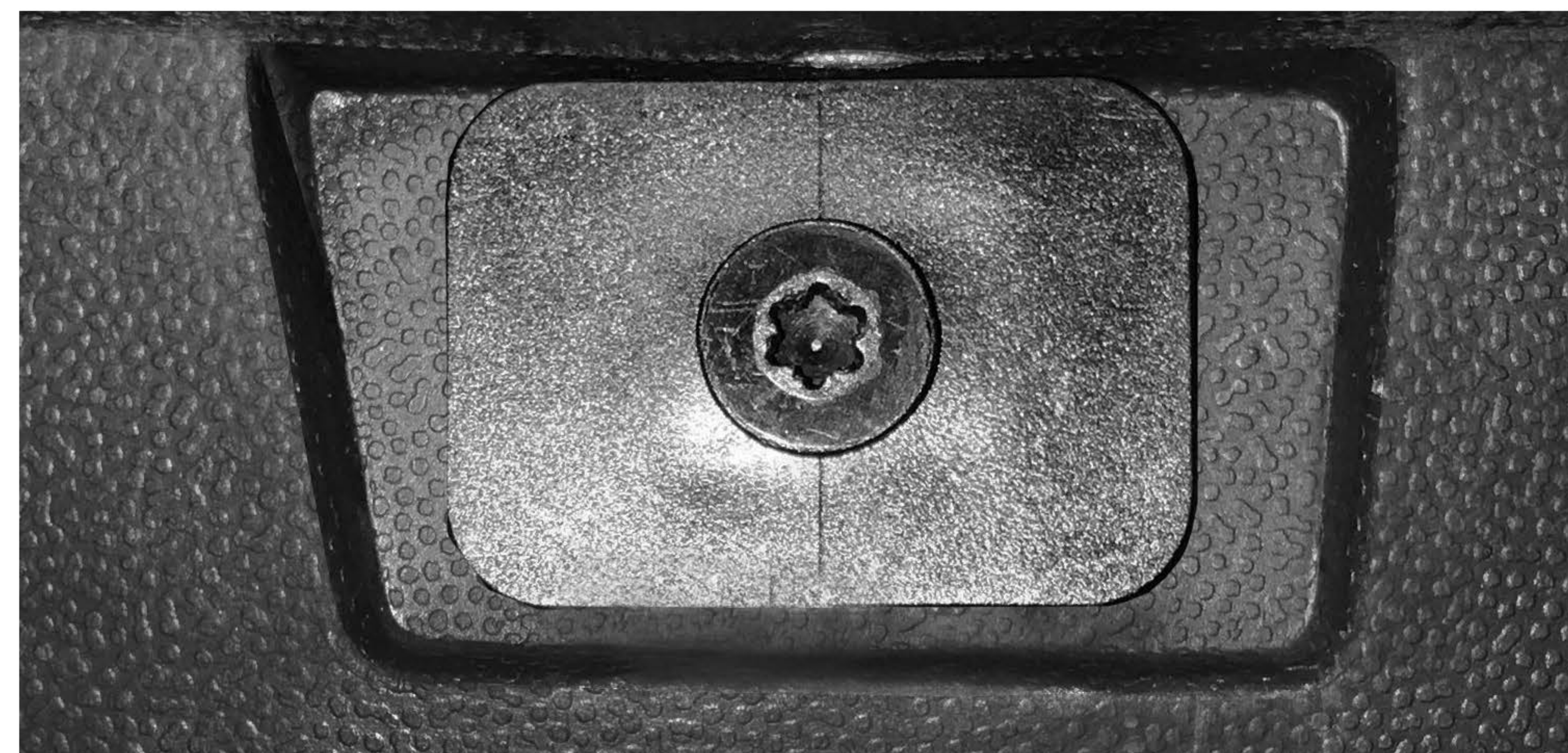
aerofabb, LLC is not responsible for damage to you or your vehicle while following this Install Guide and/or installing aerofabb products. Professional install is highly recommended.

NOTES:

1. CONFIRM NO HARDWARE IS MISSING BEFORE INSTALL.

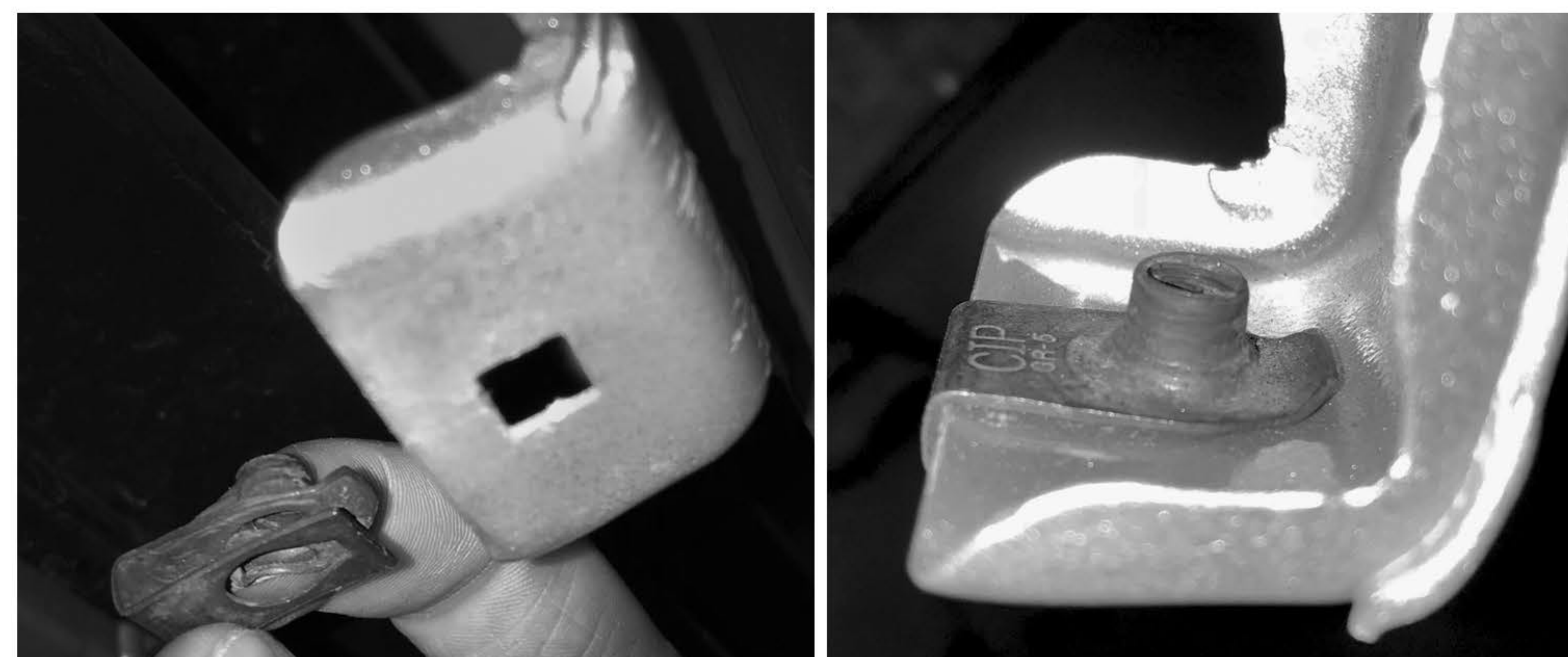
1. Using a **T-15 Torx**, remove the two Factory Plastic Screws and Snap Retainers from bottom side of valance.

-TIP: Once Plastic T-15 Torx Screws are removed, lightly pull down on back edge of Factory Valance. This will pop out Plastic Retainers with ease.



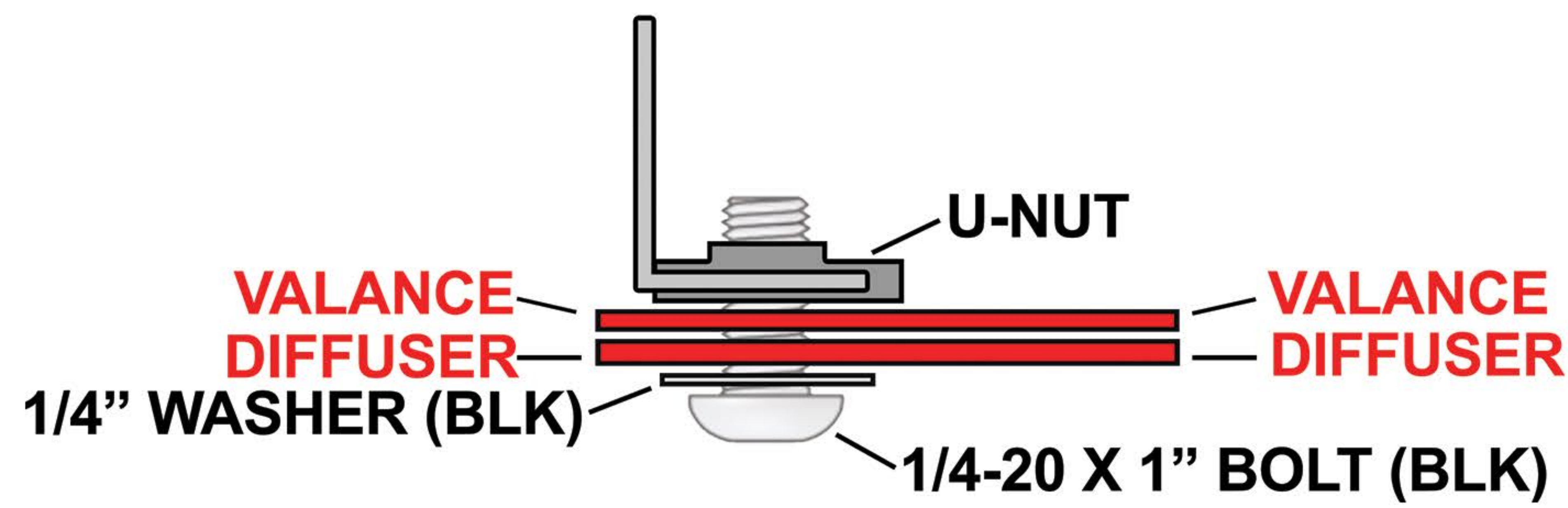
2. Clean the top and bottom of Factory L-brackets to rid of any road grime/debris. Slide the provided U-Nuts from **HARDWARE (A)** onto each Factory L-Bracket as shown.

-U-Nut "Clicks" when properly set into place. Threaded channel of U-Nut faces up.



INSTALLATION GUIDE: VW MK7.5 GTI - REAR DIFFUSER (STREET EDITION)

3. Place the aerofabb Rear Diffuser over the Factory Valance and align Diffuser holes (A) with the threads of U-Nuts. Using the recommended **Medium-Threadlock** and a **5/32" Hex**, install remaining **HARDWARE (A)** through Diffuser holes (A) threading into U-Nuts and tighten.



4. With **HARDWARE (A)** installed and Diffuser secured to the chassis, use a **1/4" Drill Bit** to drill through the two most **REARWARD** Diffuser holes (B) into the Factory Valance. (the two most **FORWARD** holes do not require drilling)

5. Using a **5/32" Hex Drive** and **7/16" Wrench**, install **HARDWARE (B)** through Spat holes (B) and into Diffuser holes (B) but do not tighten completely.
-Black Washers install on bottom side. Silver Washers install on top side followed by Lock Nut.
-Spats mount on **BOTTOM** side of Diffuser*

6. Starting on which ever side (Right or Left), hold Spat up to bottom side of Factory Valance. Align the front edge of Spat closest to rear wheels with the edge of Factory Valance.

-Front edge of Spat and Valance should match/sit flush with one another as shown in photo.

NOTES:

1. DO NOT OVER TIGHTEN HARDWARE!
2. Factory L-Brackets may require slight bending forwards or backwards if Diffuser does not seem to be aligned properly (UNEVEN GAP FROM RIGHT TO LEFT).



7. With the Side Spats aligned correctly, use a **Light Colored Marking Tool** to mark through the pre-drilled Spat holes (C) and onto bottom side of Factory Valance. With holes marked, remove **HARDWARE (B)** and Spats.

8. Using a **1/8" Drill Bit**, create pilot holes by drilling through all six of your markings on bottom of Valance. Step up by using a **1/4" Drill Bit** followed with a **25/64" Drill Bit** as your final size.

9. Using a **1/4-20 Rivnut Gun**, install the **1/4-20 Rivnuts** from **HARDWARE (C)** into holes (C).

-IMPORTANT: DO NOT OVER COMPRESS RIVNUTS! Apply enough pressure to where Rivnuts seat nearly flush with bottom surface of valance.



10. With **Rivnuts** installed, loosely install Spats using **HARDWARE (B)** and align the pre-drilled holes (C) with your **Rivnuts**. Using a **5/32" Hex Drive** and **Medium-Threadlocker**, install **HARDWARE (C)** through holes (C) and into **Rivnuts**. Tighten **HARDWARE (C)** until snug/Spats sit flush with Valance. Fully tighten **HARDWARE (B)** and repeat on opposite side.

INSPECT ALL HARDWARE FOR TIGHTNESS TO COMPLETE INSTALLATION