

ivation

DIGITAL OZONE AIR PURIFIER WITH HEPA FILTER USER GUIDE

IVADGOZHEPA



Thank you for purchasing the Ivation® Digital Ozone Air Purifier with HEPA Filter. This User Guide is intended to provide you with guidelines to ensure that operation of this product is safe and does not pose risk to the user. Any use that does not conform to the guidelines described in this User Guide may void the limited warranty.

Please read all directions before using the product and retain this guide for reference. This product is intended for household use only. It is not intended for commercial use.

This product is covered by a limited one-year warranty. Coverage is subject to limits and exclusions. See warranty for details.

TABLE OF CONTENTS

- 2 SAFETY PRECAUTIONS
- 2 PACKAGE CONTENTS
- 3 PRODUCT OVERVIEW
- 4 HOW DOES IT WORK?
- 4 USING THE OZONE AIR PURIFIER
- 5 SETTING THE TIME
- 5 SETTING THE UNIT TIMER
- 6 SETTING THE OZONE TIMER
- 6 RECOMMENDED LOCATIONS TO PURIFY
- 6 CARE AND MAINTENANCE
- 8 TROUBLESHOOTING
- 9 SPECIFICATIONS

SAFETY PRECAUTIONS

 **WARNING! Operate this unit in unoccupied spaces only. Inhalation of ozone can cause lung damage and other harmful conditions in people and animals.**

- When inhaled, ozone can damage the lungs. Relatively low amounts can cause chest pain, coughing, shortness of breath and throat irritation.
- Ozone may also worsen chronic respiratory diseases such as asthma and compromise the body's ability to fight respiratory infections.
- Operate this unit in unoccupied spaces only. Do not leave pets in the vicinity while the unit is in operation.
- Do not return to the space immediately after treating the air. The ozone will normally dissipate in less than an hour after the unit is turned off.
- We strongly recommend that you only operate the unit for the shortest recommended time for your room size.
- Do not attempt to disassemble this unit. There are no user-serviceable parts inside the unit.
- To avoid electric shock, plug the unit into a grounded electrical outlet.
- Make sure the unit is placed on a flat, even surface in a well-ventilated area. Do not block the fan vent or the back of the unit.
- Do not expose the unit to direct sunlight, high humidity, or extreme temperatures.
- Do not place the unit close to heat sources or open flames.
- Do not use the unit outdoors.
- Unplug the unit before cleaning.
- Do not clean the unit with solvents, boiling water, or cleaning agents.
- Do not place items on top of the unit.
- Use this appliance only for its intended purpose.
- Do not let children operate the appliance unless supervised.

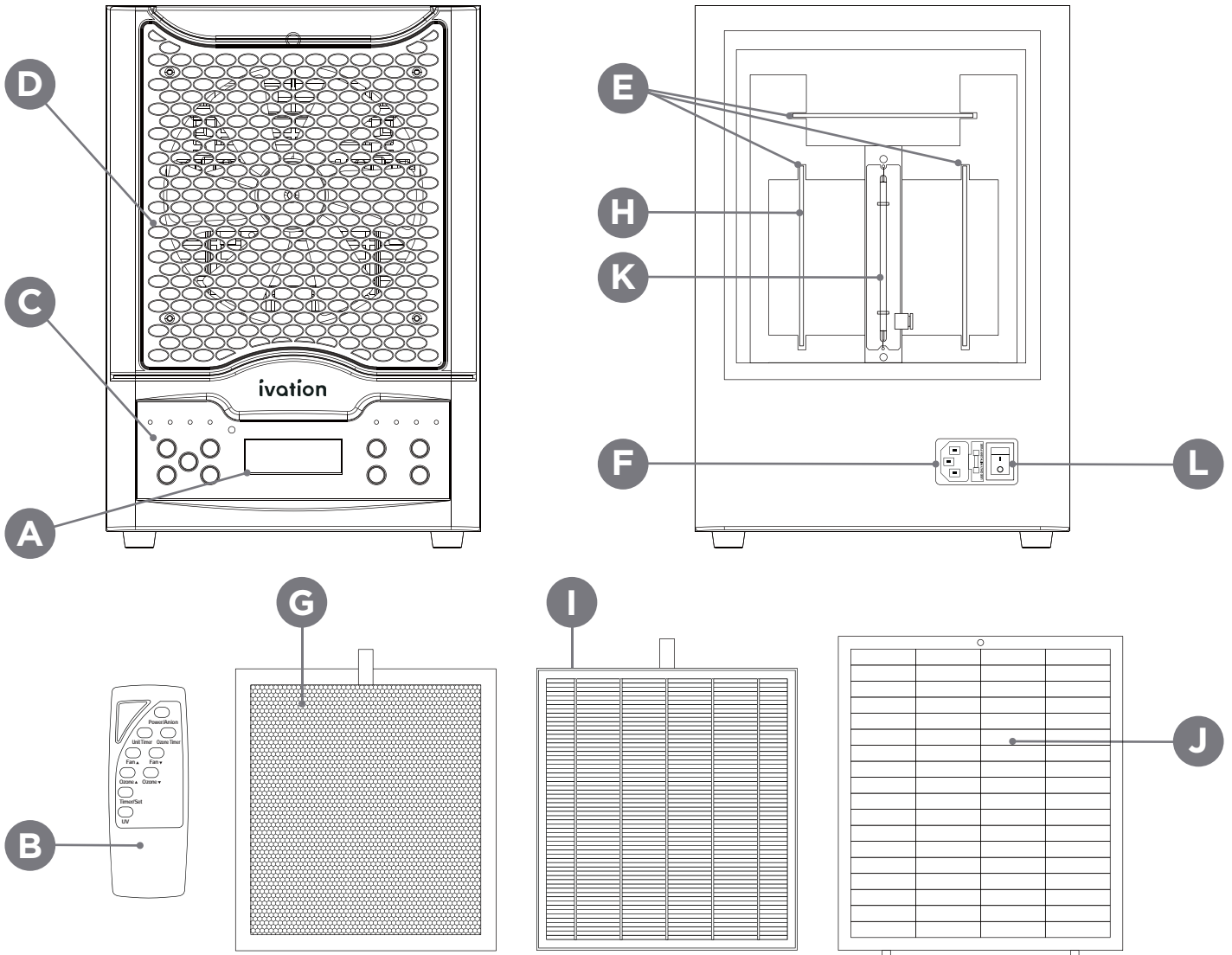
PACKAGE CONTENTS

- Ozone air purifier
- Power cord
- Remote control
- Ozone plates
- User guide

PRODUCT OVERVIEW

NOTE: The controls for the negative ion generator are separate from the controls for the ozone. Negative ions will be created around the clock to reduce dust and other particulates.

When you stand in front of the unit, the ionizer will create a slight charge. If you come in contact with another person or metal object, you may experience a static electric discharge. You know, like when you scoot around the carpet wearing socks and touch a doorknob, or poke your siblings.



PART NAME

- (A) LCD Display Panel
- (B) Remote Control
- (C) Manual Buttons
- (D) Fan Grill

DESCRIPTION/CARE

Displays the unit's working status & settings; blue backlight is optional.

Allows control of the unit's settings from a distance.

Allows control of the unit's settings.

Removable fan grill. Wash with warm water to clean, and allow to dry completely before replacing. (Always unplug unit before removing grill.)

- (E) Plate Receiver Slot

Allows for the insertion and removal of the ceramic O₃ plates for cleaning.

- (F) Power Cord

120 V grounded cord – do NOT bypass ground wire cord.

- (G) TiO₂, Photo-catalytic Filter

Do not wash! Clean this filter with compressed air.

- (H) Ceramic Plate

Removable ceramic O₃ plates. Wash them with ammonia & water, using a stiff brush or (old) toothbrush. Rinse thoroughly and allow to dry completely before replacing.

- (I) HEPA Filter & (J) Pre-filter

These should be cleaned with compressed air every 30 days.

- (K) UV Light

365 μm wavelength, replace the bulb as needed.

- (L) Power Switch

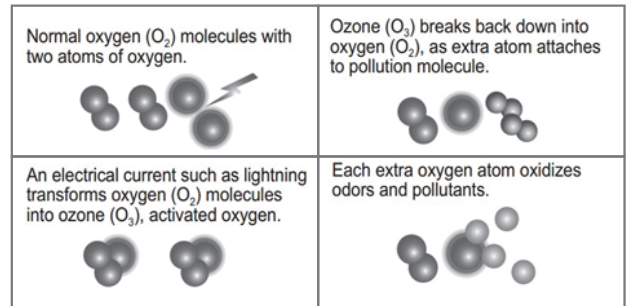
Powers the unit on and off. Do not confuse with the Power/Anion button on the LCD Display panel, which turns the functions on and off.

HOW DOES IT WORK?

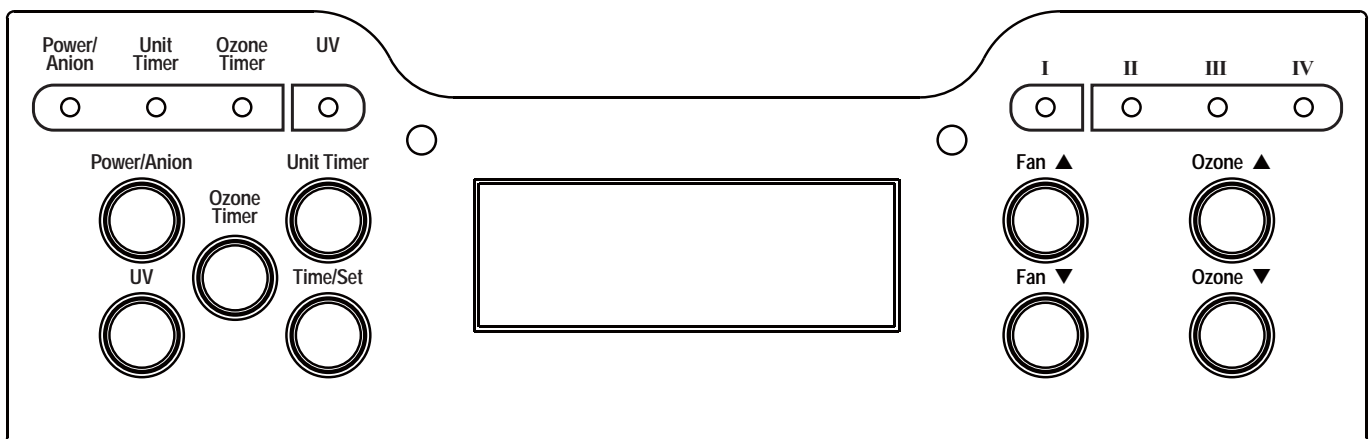
Nature creates ozone (O_3) as a natural air cleaner in a number of ways, usually involving an ordinary oxygen (O_2) molecule and some form of electrical charge (like lightning or static electricity in the air). The electrical current transforms an ordinary O_2 molecule into an O_3 molecule. If you've taken a walk after a thunderstorm and experienced the fresh, clean smell in the air, you've experienced the after-effects of ozone at work in the environment.

The Ivation Digital Ozone Air Purifier with HEPA Filter creates O_3 via a special process that utilizes an electrical current and the oxygen in the room. The ozone then sanitizes the air in your room by breaking down odors, microorganisms, and other pollutants at their source.

During the air sterilization process, no one can be present in the room, because ozone is not safe for humans or animals to inhale. The ozone air purifier includes a timer for your safety and convenience. Once the timer runs out, the device will deactivate automatically. After about an hour, the ozone reverts back to normal oxygen, and the room will be safe for you to re-enter. Breathe deep, knowing the air in your room is fresh and clean.



USING THE OZONE AIR PURIFIER



1. Turn on the power switch on the back of the unit, and then press the **Power /Anion** button on the front panel.
2. Press the **Fan ▲** or **Fan ▼** buttons to adjust the fan speed. There are four levels which will be reflected on the LCD display. These buttons are also used to set/adjust the hour when setting or adjusting the time.
3. Press the **Ozone ▲** or **Ozone ▼** buttons to adjust the level of ozone to be generated. There are four levels. (See the chart below for recommended settings for the area to be purified.) These buttons are also used to set/adjust the minutes when setting or adjusting the time.

| Purifying Level | LCD Panel Indicator | Active Area (Square Feet) |
|-----------------|---------------------|---------------------------|
| Level 1 | Ozone I | 0-600 ft ² |
| Level 2 | Ozone II | 601-1200 ft ² |
| Level 3 | Ozone III | 1201-1800 ft ² |
| Level 4 | Ozone IV | 1801-3500 ft ² |

4. Press the **UV** button to activate the UV lamp, which works in conjunction with the TiO_2 photo-catalytic filter. Always keep this turned on. You will know that the UV feature is currently activated by the blue UV indicator light on the front of the unit, located above the Unit Timer button.

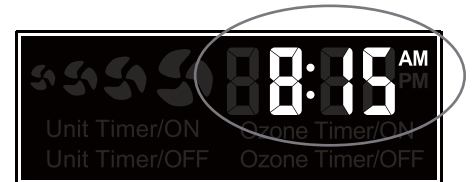
- The Anion (or Ionization) feature controls the production and dispersal of negative ions. You will know that this feature is currently activated by the red Power/Anion indicator light on the front of the unit above the **Power/Anion** button. The Anion feature activates by default when the unit is turned on, and it remains on while the unit is in operation.
- Use the **Time/Set** button to set/adjust the unit's clock, as well as the optional Unit and Ozone Timers, both of which are described in detail in the following sections with the instructions for setting them. Regardless of whether you use the optional Ozone Timer with the Unit Timer or not, you should ensure that the time on your air purifier is properly set.

SETTING THE TIME

- Make sure the unit is plugged in and turned on.
- Press the **Time/Set** button once. The hour and minutes will start flashing.
- While the hour and minutes are flashing, use the **Fan ▲** or **Fan ▼** buttons to set the hour, ensuring the time of day (AM/PM) is correct, and use the **Ozone ▲** or **Ozone ▼** buttons to set the minutes.

NOTE: This air purifier utilizes a standard US 12-hour clock. 24-hour time is not available.

- After you have set the correct time, press the **Time/Set** button one more time to finish the process and finalize the time setting.



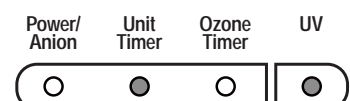
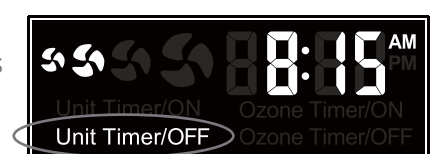
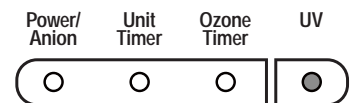
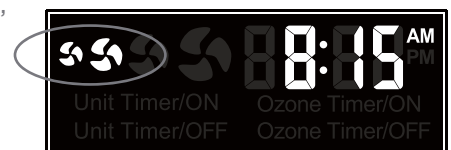
SETTING THE UNIT TIMER

- Turn off the unit by pressing the **Power/Anion** button. (Make sure the power switch on the back of the ozone generator is still in the ON position.) Once the fan stops spinning, your ozone air purifier is ready to be programmed.
- Use the **Fan ▲** or **Fan ▼** buttons to set your desired fan speed. Your chosen fan setting will be illuminated on the LCD panel display.
- Use the **Ozone ▲** or **Ozone ▼** buttons to set your desired ozone output level. The level you choose will be illuminated on the LCD panel display. There are four levels: I, II, III, and IV.

NOTE: If the Fan or Ozone levels have not been set, the unit will not turn on.

- Use the **UV** button to turn on the UV light. The blue UV indicator light on the front of the unit will light up to confirm the UV light has been activated.

- To set the times for the air purifier to activate/deactivate:
 - Press the **Time/Set** button twice. The Unit Timer/ON indicator will begin to blink on the LCD panel display.
 - While the Unit Timer/ON indicator is blinking, use the **Fan ▲** or **Fan ▼** buttons to set the hour you want the purifier to turn on. **Fan ▲** increases the hour, and **Fan ▼** decreases the hour.
 - Use the **Ozone ▲** or **Ozone ▼** buttons to adjust the minutes of the time when you want the purifier to turn on.
 - Once you've set your desired time for the air purifier to turn on, press the Time/Set button one more time. The Unit Timer/OFF indicator on the LCD display screen will start blinking.
 - While the Unit Timer/OFF light is blinking, use the **Fan ▲** or **Fan ▼** buttons to set the hour you want the purifier to turn off.
 - Use the **Ozone ▲** or **Ozone ▼** buttons to adjust the minutes of the time when you want the purifier to turn on.

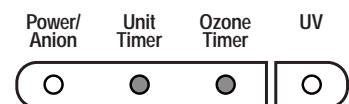


SETTING THE OZONE TIMER

NOTE: Always set the unit timer before setting the ozone timer. Always make sure to set the ozone timer for a time that falls within the range of the unit timer. For example, if your unit timer is set to have the air purifier turned on between 8AM – 11AM, make sure to set your ozone timer between those times, or else the air purifier will not be on for the ozone feature to work.

1. Press the Time/Set button four times. The Ozone Timer/ON indicator will begin to blink on the LCD panel display.
2. While the Ozone Timer/ON indicator is blinking, use the **Fan ▲** or **Fan ▼** buttons to set the hour you want the purifier to turn on. **Fan ▲** increases the hour, and **Fan ▼** decreases the hour.
3. Use the **Ozone ▲** or **Ozone ▼** buttons to adjust the minutes of the time when you want the purifier to turn on.
4. Once you've set your desired time for the air purifier to turn on, press the Time/Set button one more time. The Ozone Timer/OFF indicator on the LCD display screen will start blinking.
5. While the Ozone Timer/OFF light is blinking, use the **Fan ▲** or **Fan ▼** buttons to set the hour you want the purifier to turn off.
6. Use the **Ozone ▲** or **Ozone ▼** buttons to adjust the minutes of the time when you want the purifier to turn on.

Once the Unit and Ozone timers have both been set, press the Unit Timer button and then the Ozone Timer button to finalize the programming. The Unit Timer and Ozone Timer indicators will both light up.



RECOMMENDED LOCATIONS TO PURIFY

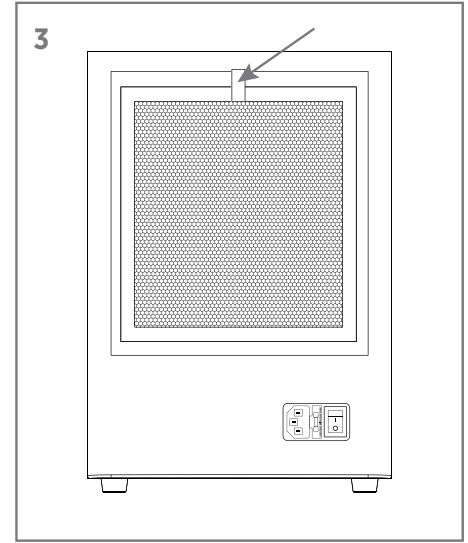
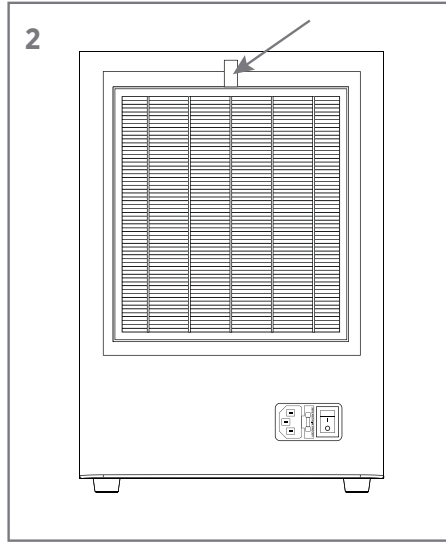
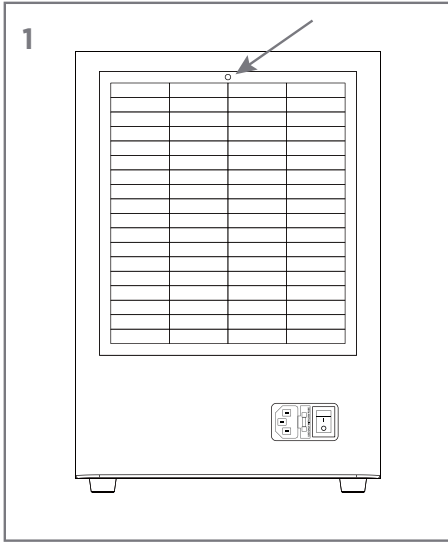
- Homes & other living spaces
- Water- & fire-damaged areas
- Newly painted & wallpapered areas
- “Sick” buildings
- Designated smoking/vaping areas
- High-pollen environments
- Newly carpeted and/or newly furnished rooms
- Kitchens
- Attics & basements
- Laundry rooms
- Stables & aviaries
- Locker rooms

CARE AND MAINTENANCE

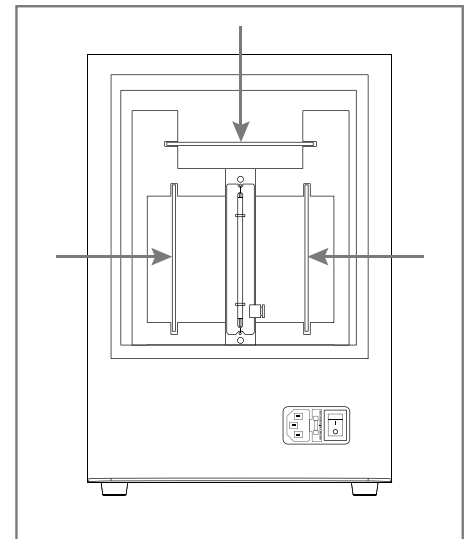
Remove and wash the ceramic O₃ plates once every 30 days. When the purifier no longer produces enough ozone to be effective, you should replace the ceramic plates. We recommend replacing the ceramic plates once every 1-3 years for optimal performance, but depending on the environment where you are using your air purifier, it may take more or less time for them to wear out.

To clean each plate:

1. Turn the unit OFF via the power button and the power switch at the rear. Wait for the fan to stop spinning and then unplug from the outlet.
2. Remove all the filters preceding the plates from the rear of the unit by unscrewing the black knob that holds the rear cover in place.



3. Pull each ozone plate gently, but firmly, toward you and out of the unit.
4. Wash the plate carefully, with warm water applied to both sides of the plate to rinse it well. If you prefer to use clear ammonia, you can do a mixture of warm water and ammonia (a 50/50 mixture is best) and allow the plate to soak in the mixture for about 10-15 minutes.
5. Gently scrub with a stiff brush if you notice any deposits not coming off with just the water rinse. Be careful not to drop the plate or scrub off the silicon.
6. Clean both the metal screen and the ceramic tile of the plate.
7. Rinse the plate with water and allow it to dry completely before replacing it. If you have one available, you may use a hair dryer to gently dry the plate.
8. Replace the ceramic plate, making sure it is fully inserted and seated securely in place.
9. Reassemble the unit and plug it into a properly grounded electrical outlet and turn it on.

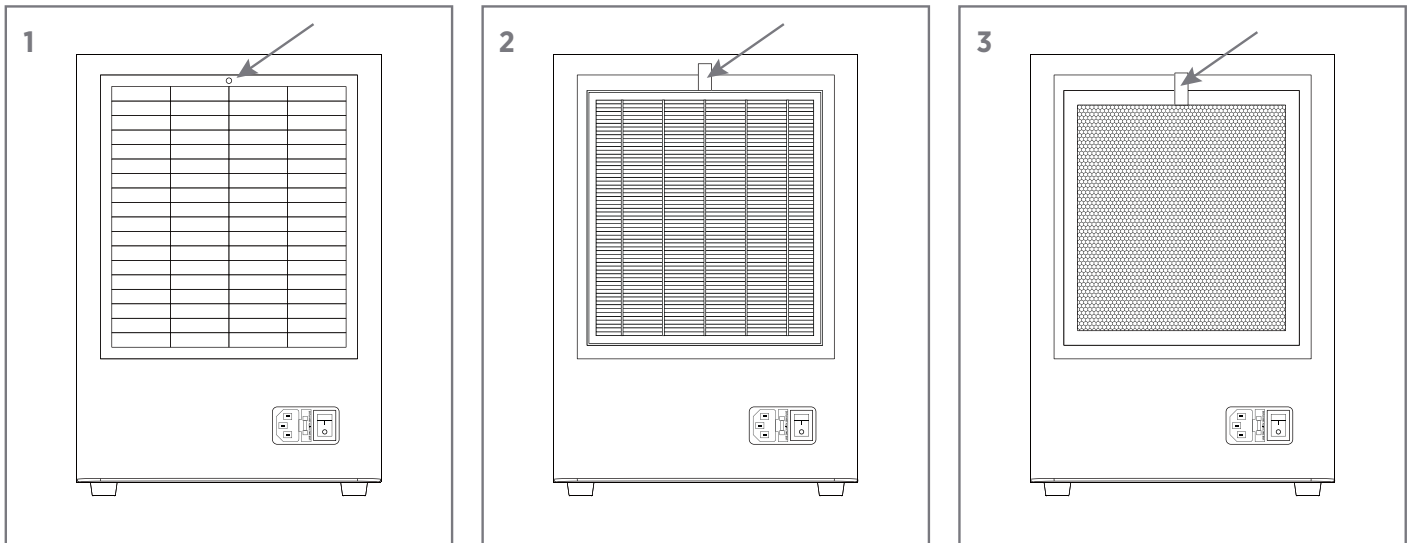


To clean the needlepoint ionizer:

1. Turn the unit OFF via the power button and the power switch at the rear. Wait for the fan to stop spinning and then unplug from the outlet.
2. Remove the fan grill cover from the front of the device by pulling it straight toward you. You may need to use your fingernails or a flat object to get between the grill cover and the cabinet.
3. You can locate the needle-point ionizer easily by looking in front of the fan for two pieces of metallic wire.
4. Take a Q-tip or cotton swab dipped in isopropyl alcohol and use those to gently clean away any dust that may have accumulated on the needle points.
5. While you have the fan grill cover off the unit, you may use a damp cloth to gently wipe clean the fan blade, and rinse the fan grill cover with warm water. Make sure the grill cover is completely dry before reassembling the unit.

To clean the HEPA filter and prefilter:

1. Turn the unit OFF via the power button and the power switch at the rear. Wait for the fan to stop spinning and then unplug from the outlet.
2. Remove the black knob holding the back cover in place, and then remove the HEPA filter and pre-filter.
3. Use a can of compressed air to clean both filters. Every 90 days, wash the pre-filter in warm water and allow to dry completely before replacing.

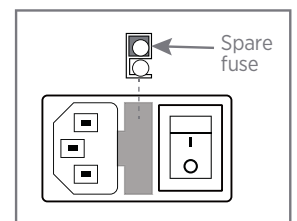


TROUBLESHOOTING

If you experience issues with your device, please check the following:

NOTE: Always make sure the unit is turned OFF via the power switch at the rear before opening the back panel to remove any filters or ozone plates for maintenance, cleaning, or replacement.

1. Make sure the unit is plugged in properly and turned on via the ON/OFF switch on the back.
2. Make sure the wall outlet to which the power cable is connected is an active outlet that is working properly.
3. Make sure that the ozone plates are clean and dry without any cracks. Ozone plates generally need to be cleaned about once a month. Environmental factors such as pet dander, cigarette smoke, etc., can affect the duration of ozone output. It's optimal to replace the ozone plates once every six months. Clean or change your ozone plates more often if ozone output is weak.
4. Make sure that the air filter on the back is clean. The air filter is removable and washable. Do not use heat to dry the air filter, as this could damage it.
5. Make sure the fuse is installed properly and in good condition.
 - a. To replace the fuse, pull the fuse holder gently toward you from its slot next to the power cord socket. Remove the old fuse and replace with the new one. One spare fuse is included the unit itself. The fuse type is 1A, 250V, 1.25" (31.75mm).
6. Make sure that the ozone air purifier is properly plugged into a grounded outlet to avoid the potential for electrical shock and also to ensure proper functionality.
7. Check the plate alignments to make sure each ceramic plate has been inserted fully and correctly. Then, check to make sure the metal wings are making full contact with the plates on either side. If the wings are not making contact, take out the plates and gently push the metal wings slightly further inward (toward each other) using your fingers. Then, replace the plates to make sure the wings are making solid contact.
8. If the fan is still not operating, and/or there is no buzzing sound when the device is in operation, immediately call Ivation customer service at 1-866-849-3049.



SPECIFICATIONS

- Rated Voltage: 110V
- Rated Frequency: 60Hz
- Rated Wattage: 48W

QUESTIONS OR PROBLEMS? CONTACT US!
info@myivation.com | 1-866-849-3049

IVATION is a trademark of C&A IP Holdings, LLC, in the U.S, Canada, and the EU.

All other products, brand names, company names, and logos are trademarks of their respective owners, used merely to identify their respective products, and are not meant to connote any sponsorship, endorsement, or approval.

Distributed by C&A Marketing, Inc., 114 Tived Lane East, Edison, NJ 08837. Made in China.

© 2019. C&A IP Holdings, LLC. All Rights Reserved.