

ivation

Portable Ozone and Plasma Generator 300 mg/h with Home and Car Plug

SKU: IVACAROZN
User Guide



1. INTRODUCTION

Thank you for purchasing the Ivation® Portable Ozone and Plasma Generator 300 mg/h with Home and Car Plug. This User Guide is intended to provide you with guidelines to ensure that operation of this product is safe and does not pose risk to the user. Any use that does not conform to the guidelines described in this User Guide may void the limited warranty.

Please read all directions before using the product and retain this guide for reference. This product is intended for household use only.

This product is covered by a limited one-year warranty. Coverage is subject to limits and exclusions. See warranty for details.

2. CONTENTS

- Ozone air purifier
- Power cord
- User guide

3. SAFETY

SAFETY PRECAUTIONS

⚠ WARNING!
Operate this unit in unoccupied spaces only. Inhalation of ozone can cause lung damage and other harmful conditions in people and animals.

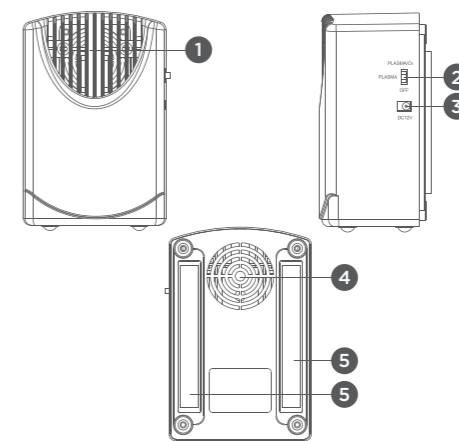
- When inhaled, ozone can damage the lungs. Relatively low amounts can cause chest pain, coughing, shortness of breath and throat irritation.
- Ozone may also worsen chronic respiratory diseases such as asthma and compromise the body's ability to fight respiratory infections.
- Operate this unit in unoccupied spaces only. Do not leave pets in the vicinity while the unit is in operation.
- Do not return to the space immediately after treating the air. The ozone will normally dissipate in less than an hour after the unit is turned off.

- We strongly recommend that you only operate the unit for the shortest recommended time for your room or car size.
- Do not attempt to disassemble this unit. There are no user-serviceable parts inside the unit.
- To avoid electric shock, plug the unit into a grounded electrical outlet.
- Make sure the unit is placed on a flat, even surface in a well-ventilated area. Do not block the fan vent or the back of the unit.
- Do not expose the unit to direct sunlight, high humidity, or extreme temperatures.
- Do not place the unit close to heat sources or open flames.
- Do not use the unit outdoors.
- Unplug the unit before cleaning.
- Do not clean the unit with solvents, boiling water, or cleaning agents.
- Do not place items on top of the unit.
- Use this appliance only for its intended purpose.
- Do not let children operate the appliance unless supervised.

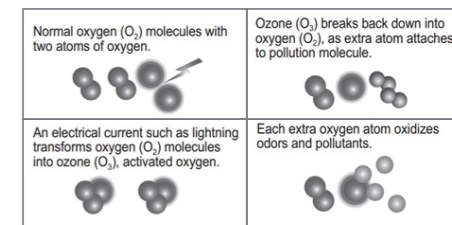
4. OVERVIEW

GET TO KNOW YOUR OZONE GENERATOR

1. Air outlet
2. Plasma/O₃ switch
3. DC/12V power port
4. Air inlet
5. Double-sided adhesive for wall-mount installation



5. HOW IT WORKS?



Nature creates ozone (O₃) as a natural air cleaner in a number of ways, usually involving an ordinary oxygen (O₂) molecule and some form of electrical charge (like lightning or static electricity in the air). The electrical current transforms an ordinary O₂ molecule into an O₃ molecule. If you've taken a walk after a thunderstorm and experienced the fresh, clean smell in the air, you've experienced the after-effects of ozone at work in the environment.

The Ivation Portable Ozone and Plasma Generator creates O₃ via a special process that utilizes an electrical current and the oxygen in the room. The ozone then sanitizes the air in your room by breaking down odors, microorganisms, and other pollutants at their source.

Plasma generators work by emitting both positive and negative ions. These ions surround the harmful particles in the air, trapping them. This causes the toxins to become heavier than the air around them and sink, so they will no longer be breathed in.

During the air sterilization process, no one can be present in the room or car, because ozone is not safe for humans or animals to inhale. After about an hour, the ozone reverts back to normal oxygen, and the space will be safe for you to re-enter. Breathe deep, knowing the air in your room is fresh and clean.

6. USAGE

USING YOUR OZONE AND PLASMA GENERATOR

IMPORTANT NOTE: You must use the unit while the space is unoccupied by humans or animals. Do not re-enter the space until 60 minutes after last use.

1. Plug the DC or 12V power cord into the port and connect to the power source.
2. For plasma only, turn Plasma/O₃ switch to Plasma position. The green LED will illuminate.
3. For plasma and ozone, turn Plasma/O₃ switch to Plasma/O₃ position. The red LED will illuminate.
4. As soon as you turn the unit on, it will begin generating ozone. Leave the space immediately.
5. To turn the unit off, quickly turn the Plasma/O₃ switch back to Off position, then leave the space immediately.
6. Once the machine is deactivated, wait at least another hour before re-entering the space, so the ozone molecules have enough time to revert to oxygen molecules.

7. Re-enter after at least an hour and enjoy the fresh, clean air! (Please note, a slight "electrical" odor in the air is normal; ozone has its own distinctive scent that will fade.)

Space Size	100 sqft	200 sqft	500 sqft	1000 sqft	2500 sqft
Run Time	5 min	10 min	18 min	36 min	60 min

7. TROUBLESHOOTING

If you experience issues with your device, please check the following:

1. Make sure the unit is plugged in properly and turned on.
2. Make sure the power source to which the power cable is connected is working properly.
3. If the fan is not operating, and/or there is no buzzing sound when the device is in operation, immediately call Ivation customer service at 1-866-849-3049.

8. SPECIFICATIONS

Rated Voltage: DC 12V
Rated Wattage: 4.2W

9. GET IN TOUCH!

✉ info@myivation.com
☎ 1-866-849-3049

10. WARRANTY

LIMITED WARRANTY ON IVATION® PORTABLE OZONE AND PLASMA GENERATOR 300 MG/H WITH HOME AND CAR PLUG

THIS LIMITED WARRANTY GIVES YOU SPECIFIC LEGAL RIGHTS AND YOU MAY ALSO HAVE OTHER RIGHTS, WHICH VARY FROM STATE TO STATE.

WE WARRANT THAT DURING THE WARRANTY PERIOD, THE PRODUCT WILL BE FREE FROM DEFECTS IN MATERIALS AND WORKMANSHIP.

LIMITATION OF LIABILITY

TO THE EXTENT NOT PROHIBITED BY LAW, THIS WARRANTY IS EXCLUSIVE AND IN LIEU OF ALL OTHER WARRANTIES, ORAL, WRITTEN, STATUTORY, EXPRESS OR IMPLIED. EXCEPT FOR THE EXPRESS

WARRANTIES CONTAINED IN THIS LIMITED WARRANTY STATEMENT AND TO THE EXTENT NOT PROHIBITED BY LAW, WE DISCLAIM ALL OTHER WARRANTIES, EXPRESSED OR IMPLIED, STATUTORY OR OTHERWISE, INCLUDING WITHOUT LIMITATION, THE WARRANTIES OF MERCHANTABILITY AND FITNESS FOR A PARTICULAR PURPOSE. SOME STATES DO NOT ALLOW DISCLAIMERS OF IMPLIED WARRANTIES, SO THIS DISCLAIMER MAY NOT APPLY TO YOU. TO THE EXTENT SUCH WARRANTIES CANNOT BE DISCLAIMED UNDER THE LAWS OF YOUR JURISDICTION, WE LIMIT THE DURATION AND REMEDIES OF SUCH WARRANTIES TO THE DURATION OF THIS EXPRESS LIMITED WARRANTY.

OUR RESPONSIBILITY FOR DEFECTIVE GOODS IS LIMITED TO REPAIR, REPLACEMENT OR REFUND AS DESCRIBED BELOW IN THIS WARRANTY STATEMENT.

WHO MAY USE THIS WARRANTY? C&A Marketing, Inc. located at 114 Tived Lane East, Edison, NJ ("we") extend this limited warranty only to the consumer who originally purchased the product ("you"). It does not extend to any subsequent owner or other transferee of the product.

WHAT DOES THIS WARRANTY COVER? This limited warranty covers defects in materials and workmanship of the Ivation Portable Ozone and Plasma Generator 300 mg/h with Home and Car Plug (the "product") for the Warranty Period as defined below.

WHAT DOES THIS WARRANTY NOT COVER? This limited warranty does not cover any damage due to: (a) transportation; (b) storage; (c) improper use; (d) failure to follow the product instructions or to perform any preventive maintenance; (e) modifications; (f) unauthorized repair; (g) normal wear and tear; or (h) external causes such as accidents, abuse, or other

actions or events beyond our reasonable control.

WHAT IS THE PERIOD OF COVERAGE? This limited warranty starts on the date of your purchase and lasts for one year (the "Warranty Period"). The Warranty Period is not extended if we repair or replace the product. We may change the availability of this limited warranty at our discretion, but any changes will not be retroactive.

WHAT ARE YOUR REMEDIES UNDER THIS WARRANTY? With respect to any defective product during the Warranty Period, we will, at our sole discretion, either: (a) repair or replace such product (or the defective part) free of charge or (b) refund the purchase price of such product if an exchange unit cannot be provided.

HOW DO YOU OBTAIN WARRANTY SERVICE? To obtain warranty service, you must contact us at 1-866-849-3049 or by email at info@myivation.com during the Warranty Period to obtain a Defective Merchandise Authorization ("DMA") number. No warranty service will be provided without a DMA number and return shipping costs to our facilities shall be assumed by you, the purchaser. Shipping costs of the replacement unit to you shall be assumed by us.

IVATION is a trademark of C&A IP Holdings, LLC, in the U.S., Canada, and the EU. All other products, brand names, company names, and logos are trademarks of their respective owners, used merely to identify their respective products, and are not meant to connote any sponsorship, endorsement or approval. Distributed by C&A Marketing, Inc., 114 Tived Lane East, Edison, NJ 08837 Made in China. © 2019. C&A IP Holdings, LLC. All Rights Reserved.