

Thank you for purchasing this product.  
**BATHROOM BUTLER**

Please read these instructions carefully before installing this **BATHROOM BUTLER** product.

**BTA-VSA3.3**  
For use with Fischer UX6x35mm Plug and #4.5x45mm Screw

**CAUTION**

The wall fasteners provided with the installation kit are for convenience purpose only and are not suitable for all types of installations. It is the ultimate responsibility of the installer to ensure that the product is mounted securely. These installation instructions are to be used as a guide as every installation is different. These installation instructions are suitable for both Masonry and Dry Wall installations.

**PRODUCT LIMITED GUARANTEE**

All components of **BATHROOM BUTLER** stainless steel bathroom accessories with RIGID Loc Mounting system are guaranteed against any manufacturing defects for a period of 10 years from date of purchase, as printed on the sales docket, which must be provided as proof of purchase.

Excluded from this warranty are damages resulting from force majeure (Acts of God), including but not limited to lightning and floods, fair wear and tear, misuse, willful damage, negligence, repair of device without the approval of **BATHROOM BUTLER** or damage resulting from incorrect installation.

The manufacturer's liability is limited to repair or replacement of the stainless steel bathroom accessories only. No claim for consequential damage and/or labour and/or transport will be entertained. Damages arising from misuse of the stainless steel bathroom accessories will render the warranty invalid.

This warranty is only valid when the product has been purchased from an authorised reseller or country/territory distributor and is only valid within the geographical borders of the country/territory that it was originally purchased. This warranty only extends to the original purchaser of this product and is not transferable.

**CLEANING & CARE**

**BATHROOM BUTLER** bathroom accessories are made from GRADE 304 Stainless Steel and should be cleaned regularly with a warm damp cloth and buffed dry with a clean dry cloth. Do not use the rough end of a kitchen sponge to clean your bathroom accessory. To remove any small blemishes or fine scratches, use a metal polish.

DO NOT Clean your bathroom accessory with any kind of ACID BASED CHEMICAL, TILE CLEANER or detergents that contain CHLORINE. This may contaminate and damage the surface finish of the bathroom accessory.

**NOTE**

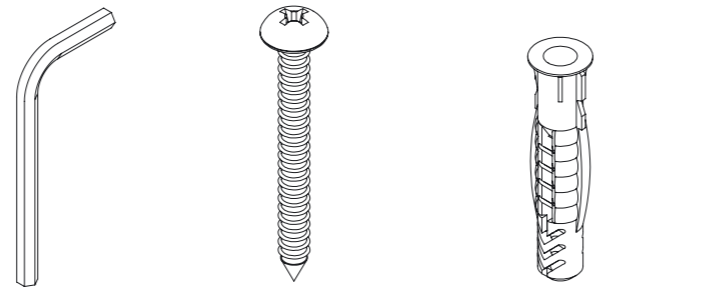
Products in diagrams used are for graphical representation only, actual products may vary from model to model.



This product uses the **BATHROOM BUTLER** unique RIGID Loc mounting system – Patent Pending.

\* Due to the fact that Bathroom Butler is always actively researching new methods and/or materials with a view to further improving our products you may notice some differences between the parts you received and the assembly method described herein. Please understand that this instruction leaflet is intended as a guide only

**1. Masonry/Dry Wall Fixings Supplied**



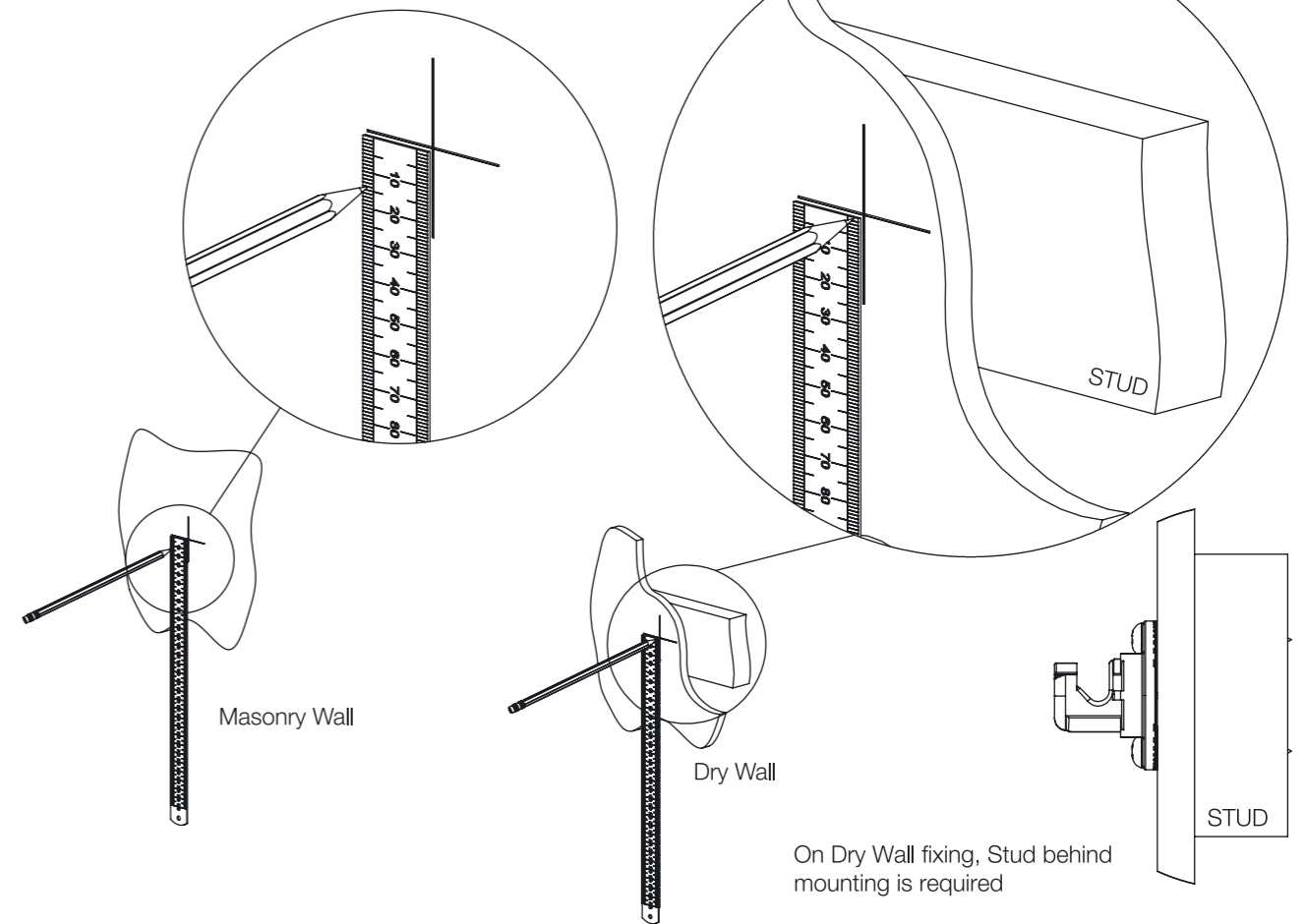
- x1
- x2 - Single Mounting
- x4 - Double Mounting
- x2 - Single Mounting
- x4 - Double Mounting

(all other tools not supplied)

**Approximate Post Center Dimensions for Double Mount products.**  
**CHECK and measure actual product before drilling hole.**

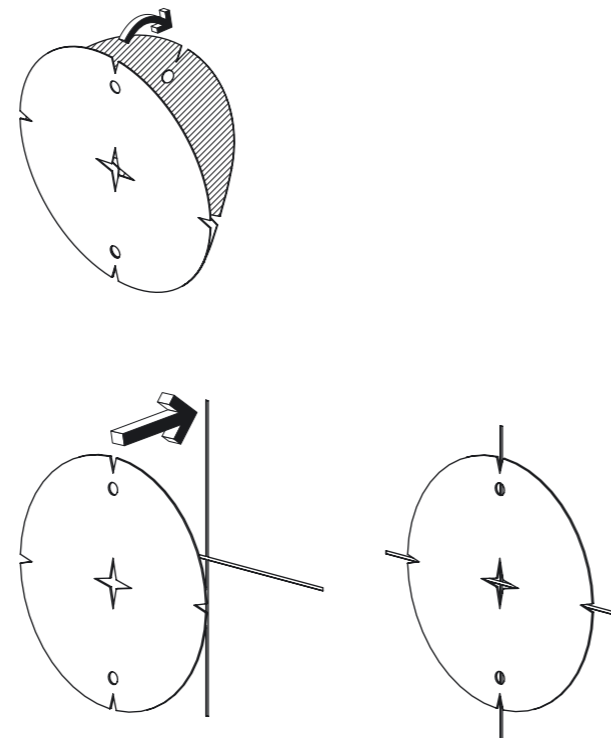
Shower Rack = 330mm (13in)	Towel Rail 430mm = 405mm (15 <sup>15</sup> / <sub>16</sub> in)
Glass Shelf = 330mm (13in)	Towel Rail 650mm = 625mm (24 <sup>5</sup> / <sub>8</sub> in)
Soap Rack = 140mm (5 <sup>1</sup> / <sub>2</sub> in)	Towel Rail 800mm = 775mm (30 <sup>1</sup> / <sub>2</sub> in)
Grab Handle = 300mm (11 <sup>13</sup> / <sub>16</sub> in)	Towel Rail 1100mm = 1075mm (42 <sup>5</sup> / <sub>16</sub> in)

**2. Mark location**



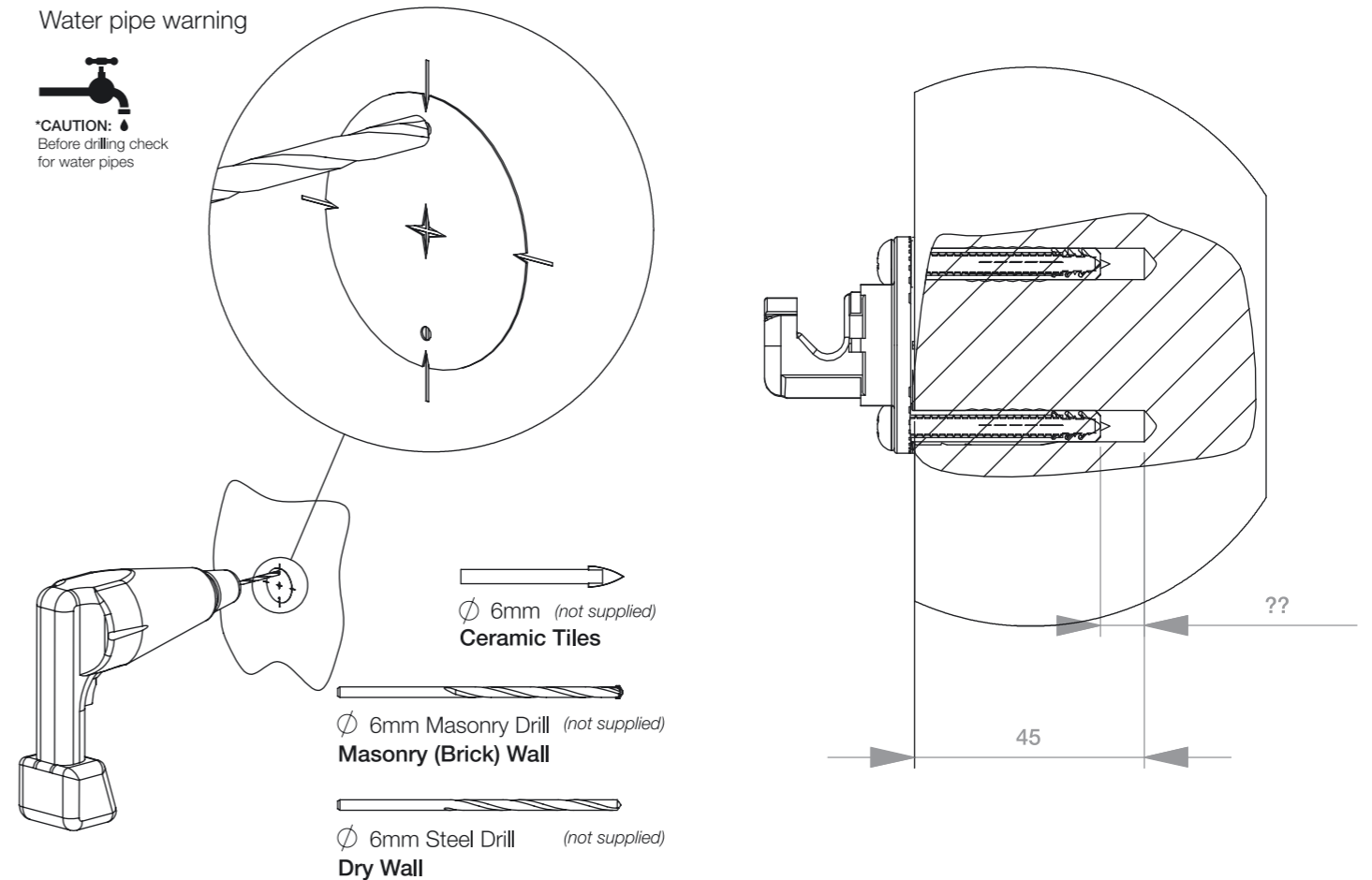
On Dry Wall fixing, Stud behind mounting is required

**3. Stick on Mount Sticker**



**4. Drill holes**

Water pipe warning



Ø 6mm (not supplied)  
Ceramic Tiles

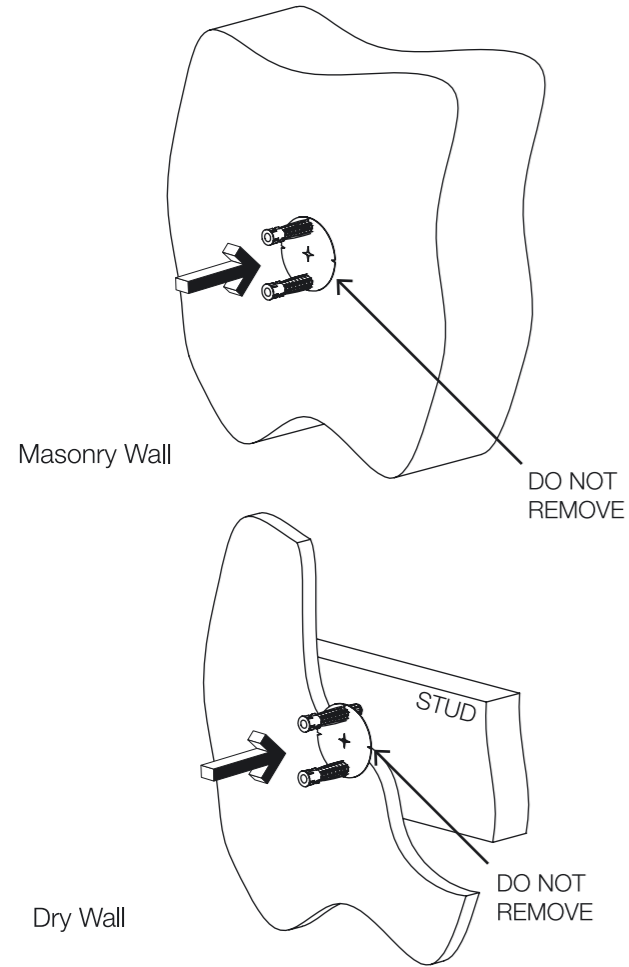
Ø 6mm Masonry Drill (not supplied)  
Masonry (Brick) Wall

Ø 6mm Steel Drill (not supplied)  
Dry Wall

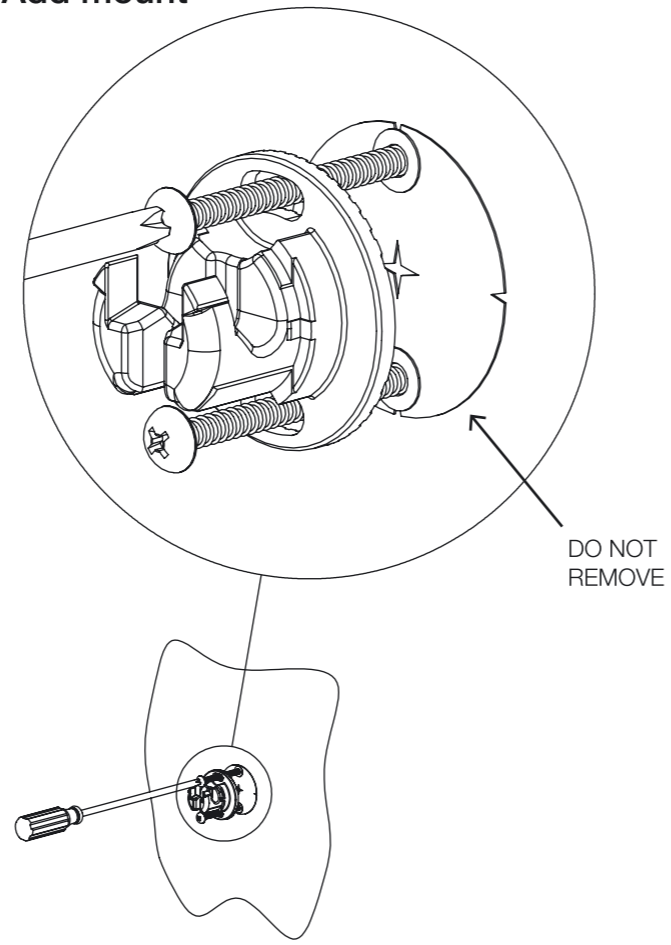
45

??

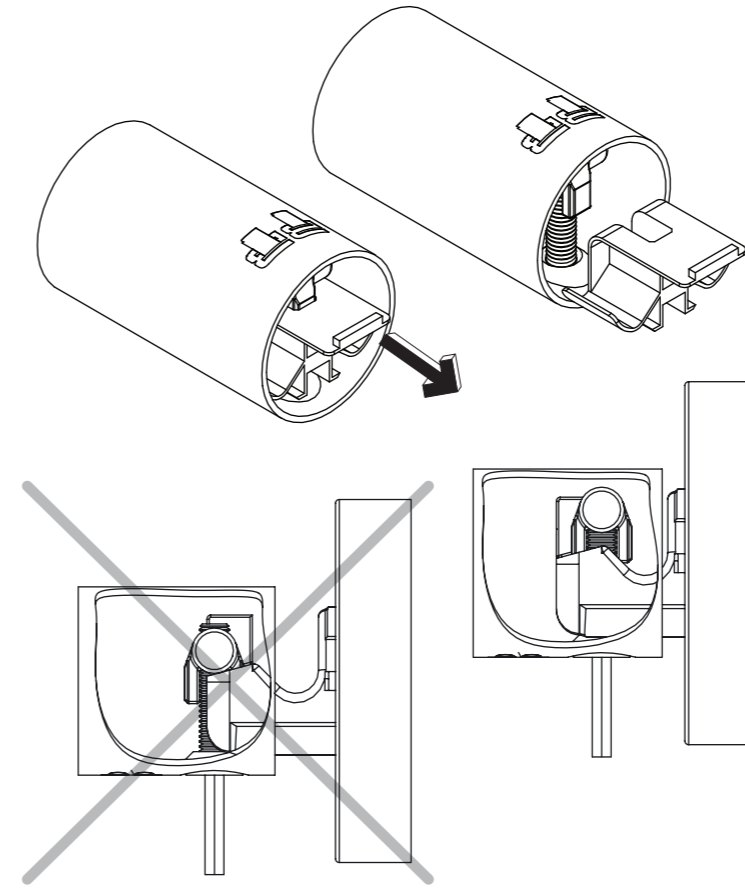
5. Insert plugs



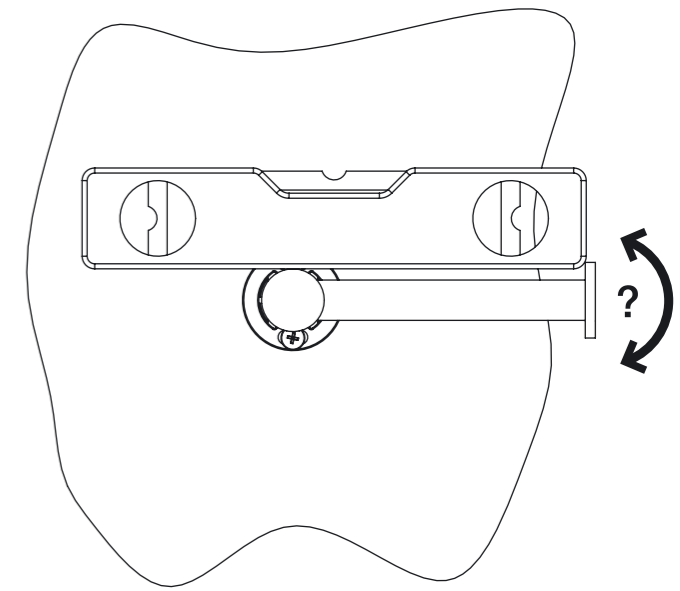
6. Add mount



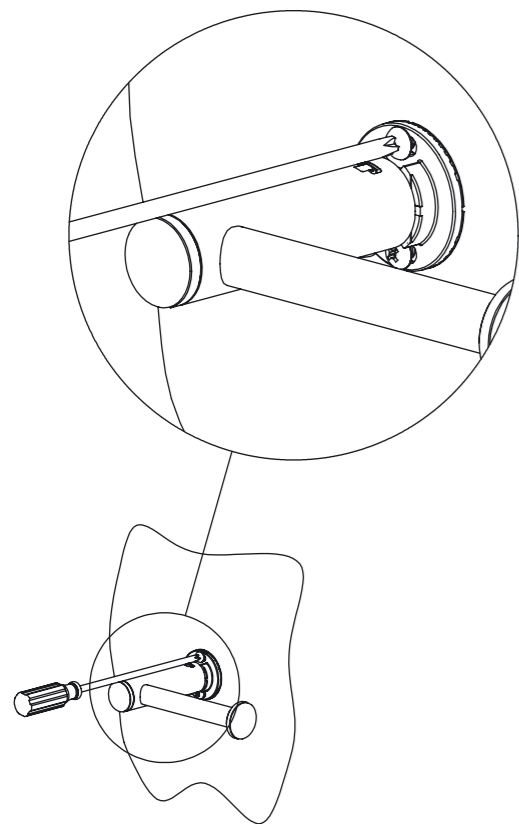
7. Test fit accessory



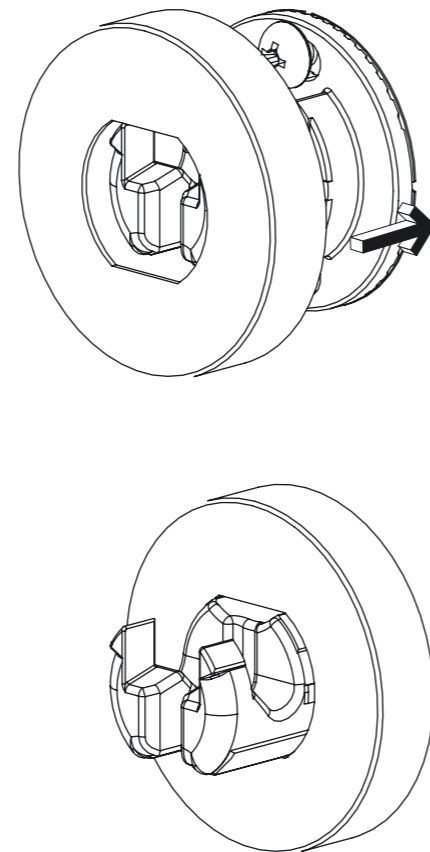
8. Check if Level and adjust



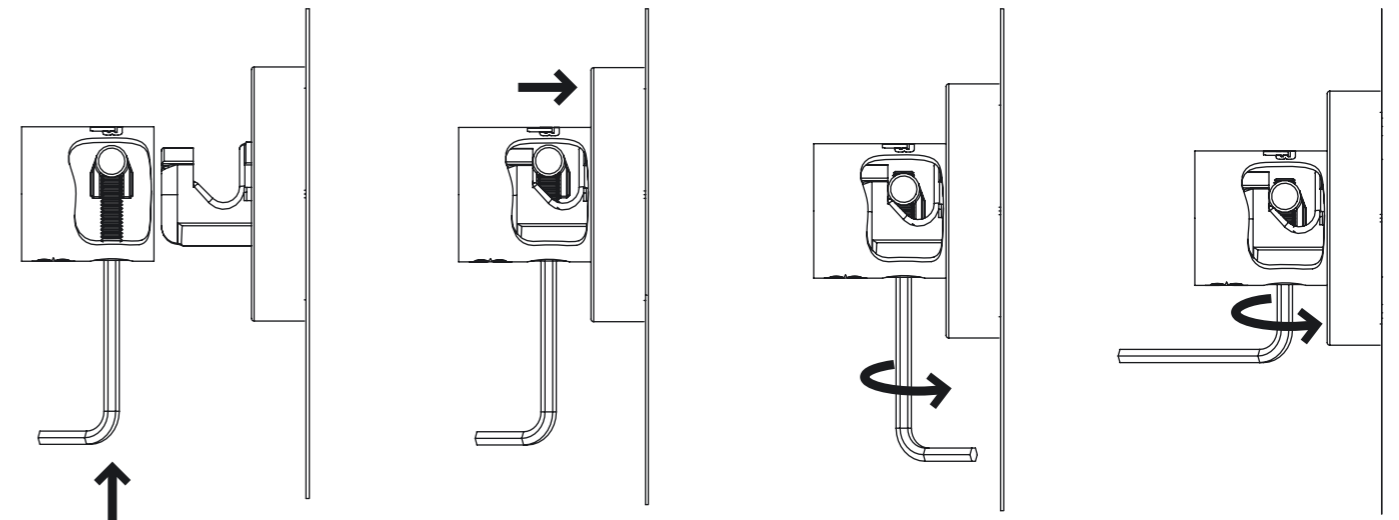
9. Tighten screws for mount



10. Add cover plate



11. Add accessory and tighten RIGID Loc screw



\* Due to the fact that Bathroom Butler is always actively researching new methods and/or materials with a view to further improving our products you may notice some differences between the parts you received and the assembly method described herein. Please understand that this instruction leaflet is intended as a guide only