

產品規格承認書

SPECIFICATIONS FOR APPROVAL

客 戶
CUSTOMER

產 品 名 稱
DESCRIP TION 玫瑰轴

康 騰 型 號
CONTENT NO KS-64F2

客 戶 編 號
YOUR PART NO

客 戶 產 品 型 號
FOR YOUR MODEL NO

客戶承認欄 Customer's Approval	康騰特电子 Content	
	批 準 Ratify	承 辦 Undertaker
	<i>LL</i>	<i>LXB</i>

產品規格承認書提交後，請簽署一份產品規格承認書寄還本公司。

Product specification acceptance after submission, please sign a product specification acceptance of the company.

康騰特電子有限公司

Content Electric Co., Ltd
东莞市石排镇向西沿河路南5号

E-mail: sales@cncontent.com

TEL: 0755-89959792 28235178 FAX: 0755-84164865 28235177

修正履歷(Revision History)

Revision	Description	Date
A	新版发行	2018-2-22

本記錄不得擅自塗改

D

D

C

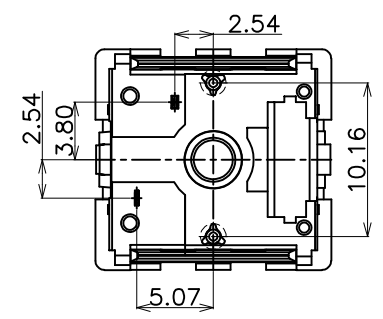
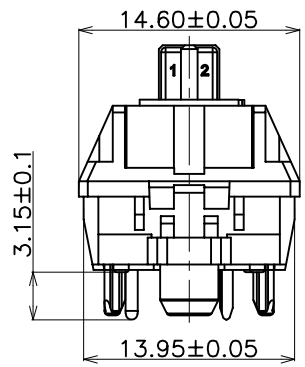
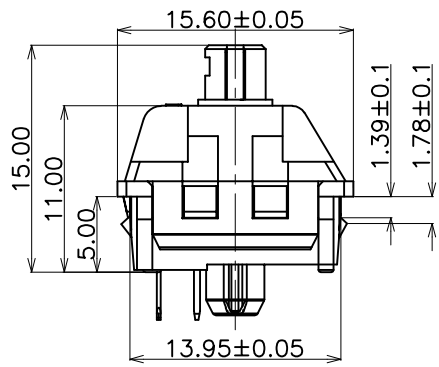
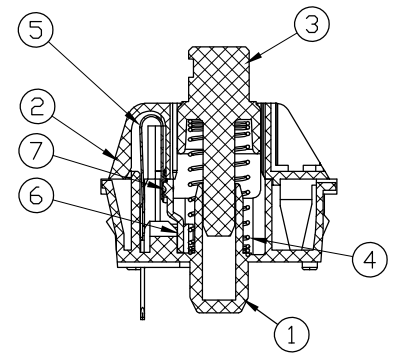
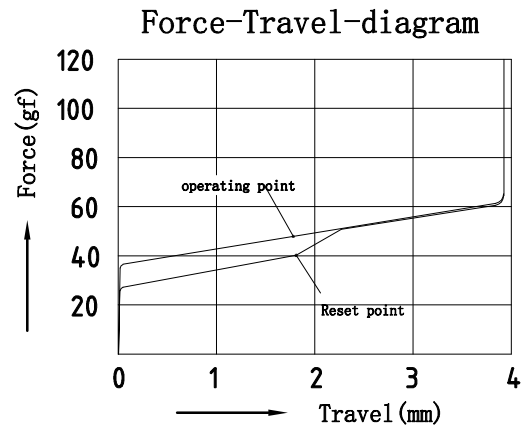
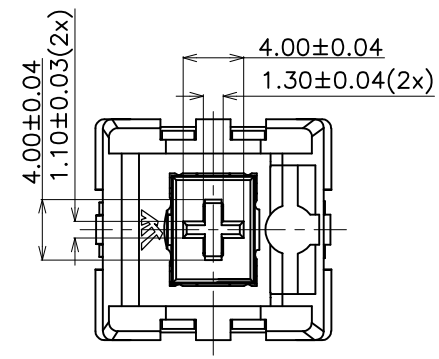
C

B

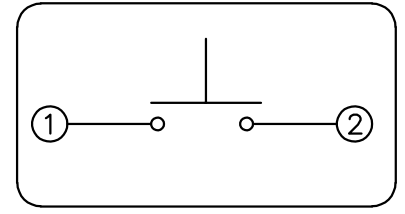
B

A

A



■ SWITCH FUNCTION



■ Specification :

1. Rating :12 VAC/DC max. 2 VDC min.
10mA AC/DC max. 10 uA DC min.
2. Contact Resistance : 200mΩ Max
3. Insulation Resistance :100MΩ Min(DC100V)
4. Withstand Voltage :AC100V (50-60Hz) for 1 minute
5. Operation Force :43± 5gf
6. End Force : 53± 5gf
7. Conduction travel : 1.90mm± 0.4mm
8. Total travel:4.0 -0.5mm

⑦	contact	2	Silver Alloy			
⑥	static plate	1	Brass			
⑤	movable plate	1	Copper Alloy			
④	Spring	1	Stainless Steel			
③	Keystroke	1	POM	Light pink		
②	Cover	1	PC	transparent		
①	Base	1	Nylon	Light pink		
ITEM	PART NAME	TER'NO	QTY.	MATERIAL	FINISHING	REMARK

APPROVALS		DATE		DONGGUAN CITY CONTENT ELECTRONICS CO.,LTD		
DRAWN	L Y H	2024.01.17				
CHECKED	L Y H	2024.01.17		TITLE:	Keystroke Switch(Mechanical switches)	
APPROVALS				PART NO.	KS-64F2	
TOLERANCES ARE		30<L	±0.30	ANGLE	UNIT: mm	SCALE: 1:1
		10<L≤30	±0.20			
		5<L≤10	±0.15	±2'	DRAWING NO.	SHEET 1 OF 1
		L≤5	±0.10			

ECN NO.	REV.	DATE.	DESCRIPTION.	CHANGE.	CHECK.	APPRO.
	A		NEW			

1. General specification 基本事项

1.1 Switch action 开关种类 Push-on type S. P. S. T: 按键开关

1.2 Switch rating 额定值 : 12 VAC/DC max. 2 VDC min. 10mA AC/DC max. 10 μ A DC min.

1.3 Operation temperature range 使用温度试验范围 : - 25 ~ + 70 $^{\circ}$ C

1.4 Storage temperature range 保存温度范围 : - 25 ~ + 70 $^{\circ}$ C

1.5 Suggested storage period 贮存期限 : about 6 months 最多六个月

Require the tin part on the switch terminals should keep good after storage guarantee date
要求贮存期后开关端子部分上锡仍然良好

1.6 Appearance and dimensions 外形及尺寸: See outside drawing page 见外形尺寸图

1.7 Dust-proof waterproof level switch 开关防尘防水等级为: IP 40

1.8 Standard condition Unless otherwise specified, the test and measurements shall be
试验、测定状态 carried out as follows:

Ambient temperature 温度: 20 \pm 2 $^{\circ}$ C

Relative humidity 相对湿度: 45 ~ 85

Air pressure 气压: 86 ~ 106kPa(860~1060mbar)

However, if doubt arises on the decision based on the measured

Values under the above-mentioned conditions, the following conditions shall be employed:

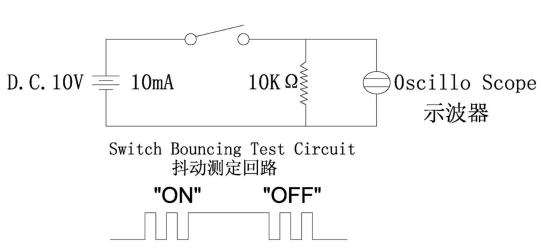
但是在对判定产生疑义时,按下述状态实施:

Ambient temperature 温度:20 \pm 2 $^{\circ}$ C Relative humidity 相对湿度: 90 \pm 5%

Air pressure 气压: 86 ~ 106kPa(860~1060mbar)

2. Performance 性能

2.1 Electrical characteristics 电气性能

No.	Item 项目	Test condition 试验条件	Performance 规格
2.1.1	Contact resistance 接触电阻	Push force: (Operation force) x 2. 测定时的负荷: 操作方向动作力基准值的2 倍。 Measurement tool : Contact resistance meter 测定器: 微电流接触电阻计(1kHz, 20mV, 5~50mA)	200m Ω MAX 200m Ω 以下
2.1.2	Insulation resistance 绝缘电阻	D. C. 100V(Between terminals) (端子间)	100M Ω min 100M Ω 以上
2.1.3	Withstand voltage 耐电压	A. C100V for 1 min (Between terminals) (端子间)	No. insulation destruction. 无绝缘破坏.
2.1.4	Bouncing 触点抖动	Operation speed : 3~4 times/s 操作速度: 每秒3~4 次 Oscillo scope 示波器 Switch Bouncing Test Circuit 抖动测定回路 	ON :5ms max 以下 OFF:5ms max以下

2.2 Mechanical Characteristics 机械性能

No.	Item 项目	Test condition 试验条件	Performance 规格
2.2.1	Operation force 动作力 Travel to closure 动作行程 (见图表)	<p style="text-align: center;">Force-Travel-diagram</p>	operating force 操作力 $43 \pm 5\text{gf}$ Tactile force 接触力 $53 \pm 5\text{gf}$ pretravel 预行程: $1.90 \pm 0.4\text{mm}$ Full Travel 全行程: $4.0-0.5\text{mm}$
2.2.2	Push strength 按压强度	50N (5Kgf) for 15 sec 50N (5Kgf) 15 秒	No damage (Electrical and mechanical) 无异常 (电气、机械性能)
2.2.3	Pull strength 推压强度	Break by drawing push plate in the direction of right diagram 抽拔推杆使其破坏的强度.	100N min (10kgf min)
2.2.4	Vibration test 耐振性	1) Amplitude 全振幅: 1.5 mm 2) Sweep rate: 10-55-10HZ for 1 minute 扫描速度: 10-55-10HZ 1 分钟 3) Sweep method: Logarithmic frequency sweep rate 扫描方式: 对数频率扫描速度 4) Vibration direction: X, Y, Z (3 directions) 振动方向: X, Y, Z (3 方向) 5) Time: Each direction 2 hours (Total 6 hours) 时间: 每个方向2 个小时(共6 个小时)	No. 2.1 and 2.2.1 to 2.2.2 shall be satisfied 满足2.1 项和2.2.1 至 2.2.2 项.
2.2.5	Soldering heat test 耐焊接热	端子焊接部分浸入焊炉, 焊炉温度 $260 \pm 5^\circ\text{C}$, 焊接时间 5 ± 1 秒。(焊接时不可于端子施加外力). Terminals shall be dipped in the solder bath at $260 \pm 5^\circ\text{C}$ for 5 ± 1 seconds without additional force for terminals.	No damage (electrical and mechanical) 无异常。 (电气、机械特性)
2.2.6	Solderability 可焊性	After sprated flux / 涂上助焊剂后 temperature: $260 \pm 5^\circ\text{C}$ / 温度: $260 \pm 5^\circ\text{C}$ soldering time: 2 ± 0.5 sec / 焊接时间: 2 ± 0.5 秒	70% or more of surface area of the portion immersed in solder shall be covered by new solder / 70% 或更多的浸焊面能被焊锡覆盖.

2.3 Climatic characteristics 耐候性能

No.	Item 项目	Test condition 试验条件	Performance 规格															
2.3.1	Cold test 耐寒性	1) Temperature : $-25\pm 2^{\circ}\text{C}$ 温度: $-25\pm 2^{\circ}\text{C}$ 2) Duration of test: 48h 持续时间: 48 小时 3) Take off a drop water 去掉水珠 4) Standard conditions after test : 1h 试验后的放置条件: 1 小时	Contact resistance 200mΩ max No. 2.1.2 to 2.1.4 and No. 2.2.1 to 2.2.2 shall Be satisfied 接触电阻 200mΩ 以下 满足2.1.2 到2.1.4 项、 2.2.1 到2.2.2 项.															
2.3.2	Heat test 耐热性	1) Temperature : $70\pm 2^{\circ}\text{C}$ 温度: $70\pm 2^{\circ}\text{C}$ 2) Duration of test: 48h 持续时间: 48 小时 3) Standard conditions after test : 1h 试验后的放置条件: 1 小时	Contact resistance 200mΩ max No. 2.1.2 to 2.1.4 and No. 2.2.1 to 2.2.2 shall Be satisfied 接触电阻 200mΩ 以下 满足2.1.2 到2.1.4 项、2.2.1 到 2.2.2 项.															
2.3.3	Temperature cycle 温度循环	1) Test cycles :20 cycles 试验周期: 20 个周期 2) Standard condition after test :1h 试验后的放置条件: 1 小时 <table border="1" data-bbox="539 1288 1137 1590"> <thead> <tr> <th data-bbox="539 1288 738 1417"></th> <th data-bbox="738 1288 938 1417">temperature 温度</th> <th data-bbox="938 1288 1137 1417">duration of test 持续时间</th> </tr> </thead> <tbody> <tr> <td data-bbox="539 1417 738 1462">1 cycle</td> <td data-bbox="738 1417 938 1462">$20\pm 5^{\circ}\text{C}$</td> <td data-bbox="938 1417 1137 1462">1h</td> </tr> <tr> <td data-bbox="539 1462 738 1507">一次</td> <td data-bbox="738 1462 938 1507">$-25\pm 2^{\circ}\text{C}$</td> <td data-bbox="938 1462 1137 1507">1h</td> </tr> <tr> <td data-bbox="539 1507 738 1552">循环</td> <td data-bbox="738 1507 938 1552">$20\pm 5^{\circ}\text{C}$</td> <td data-bbox="938 1507 1137 1552">1h</td> </tr> <tr> <td data-bbox="539 1552 738 1590"></td> <td data-bbox="738 1552 938 1590">$70\pm 5^{\circ}\text{C}$</td> <td data-bbox="938 1552 1137 1590">1h</td> </tr> </tbody> </table>		temperature 温度	duration of test 持续时间	1 cycle	$20\pm 5^{\circ}\text{C}$	1h	一次	$-25\pm 2^{\circ}\text{C}$	1h	循环	$20\pm 5^{\circ}\text{C}$	1h		$70\pm 5^{\circ}\text{C}$	1h	Contact resistance 200mΩ max No. 2.1.2 to 2.1.4 and No. 2.2.1 to 2.2.2 shall be satisfied 接触电阻 200mΩ 以下 满足2.1.2 到2.1.4 项、 2.2.1 到2.2.2 项.
	temperature 温度	duration of test 持续时间																
1 cycle	$20\pm 5^{\circ}\text{C}$	1h																
一次	$-25\pm 2^{\circ}\text{C}$	1h																
循环	$20\pm 5^{\circ}\text{C}$	1h																
	$70\pm 5^{\circ}\text{C}$	1h																
2.3.4	Humidity test 耐湿性	1) Temperature : $70\pm 2^{\circ}\text{C}$ 温度: $70\pm 2^{\circ}\text{C}$ 2) relative humidity: 90~95% 相对湿度:90~95% 3) Duration of test: 96h 持续时间: 96 小时 3) Take off a drop water 去掉水珠 5) Standard conditions after test : 1h 试验后的放置条件: 1 小时	Contact resistance 200mΩ max No. 2.1.2 to 2.1.4 and No. 2.2.1 to 2.2.2 shall Be satisfied 接触电阻 200mΩ 以下 满足2.1.2 到2.1.4 项、 2.2.1 到2.2.2 项.															

No.	Item 项目	Test condition 试验条件	Performance 规格
2.3.5	Endurance (switching action) 耐久特性 (开关寿命)	1) D. C. 12V 10mA resistance load D. C 12V 10mA 电阻负荷 2) Operation speed : 1 times / s 动作速度: 4-5 次/ 秒 3) Push force : 150gf 按力:150gf 3) Push travel : 4.0mm(Max) 按压行程: 4.0mm(最大) 4) Operation number:60,000,000cycles 动作次数:60,000,000次	Contact resistance 10Ω max 接触电阻 10Ω 以下 Bouncing: 10 ms max 触点抖动: 10 毫秒以下 Variation rate of operation force shall be within ±30% to the value before testing 动作力的变化范围在初始值的± 30%以内 No. 2.1.2 and 2.2.2 shall Be satisfied 满足2.1.2 和2.2.2 项
2.3.6	盐雾实验 Salt Mist Test	试件在下述实验后测量: 1. 温度: 35±5°C 2. 盐溶液浓度: 5±1% (质量百分比), 3. 试验时间: 4 小时, 4. 试验后, 将盐沉积物用水冲掉。 The switch shall be checked after following test: 1. Temperature: 35±5°C 2. Salt solution: 5±1%(Solids by mass) 3. Duration: 4 hours, 4. After immersing, salt deposit shall be removed by running water.	Contact resistance 200mΩ max No. 2.1.2 to 2.1.4 and No. 2.2.1 to 2.2.2 shall Be satisfied 接触电阻 200mΩ 以下 满足2.1.2 到2.1.4 项、2.2.1 到 2.2.2 项.
2.3.7	Shock 耐冲击性	Measure after test at a condition below 在下列条件下进行测试后的量度 Peak acceleration:80G 冲击加速度:80G Test time-6direction , each 3 times total 18 times 测试次数-6 个方向, 各3 次共计18 次。	No. 2.1 and 2.2.1 to 2.2.2 shall be satisfied 第2.1 及2.2.1—2.2.2 都应符合要 求

3. Precaution 注意事项

3.1 Soldering condition 浸焊条件

ITEM 项目	CONDITION 条件
Preheat temperature 预热温度	110°C max (Embilomental temperature of soldering surface of P. W. E) 110°C 以下(印刷基板焊锡面周围的温度)
Preheat time 预热时间	60 sec, max 60 秒以内
Area of flux 助焊剂的面积	1/2 max of P. W. B. thickness 印刷基板厚度的1/2 以内
Temperature of solder 焊锡温度	260±5°C 260±5°C
Time of immersion 浸焊时间	Within 3 sec 3 秒以内
Soldering number 浸焊次数	Within 2 times (But should bring down heat of the first soldering) 2 次以内 (但应把第一次焊锡的温度降下来)
Printed wiring board 印刷基板	Single sided copper-clad laminates 单面铜箔

1) After switches were soldered, please be careful not to clean switches with solvent
开关浸焊后, 注意不要用溶剂清洗.

2) In the case of using soldering iron, soldering conditions shall be 280°C max and 3 sec. max
在使用烙铁的情况下, 焊锡温度应在280±10°C 以下, 3 秒以内.

3.2 Note(注意点)

1) Please be cautious not to give excessive static load or shock to switches.
注意不要施加超负荷的压力或晃动开关.

2) Please be careful not to pile up P. W. B. after switches were soldered.
开关焊接以后, 印刷基板注意不要叠放.

3) Preservation under high temperature and high humidity or corrosive gas should be avoided especially. When you need to preserve for a long period, do not open the carton.
保管时尤其应注意避开高湿高温和有腐蚀性气体的环境. 如需长时间保存, 请不要打开包装箱.

4) Products meet the RoHS environmental management substances control standards
产品满足 RoHS 环境管理物质管制标准