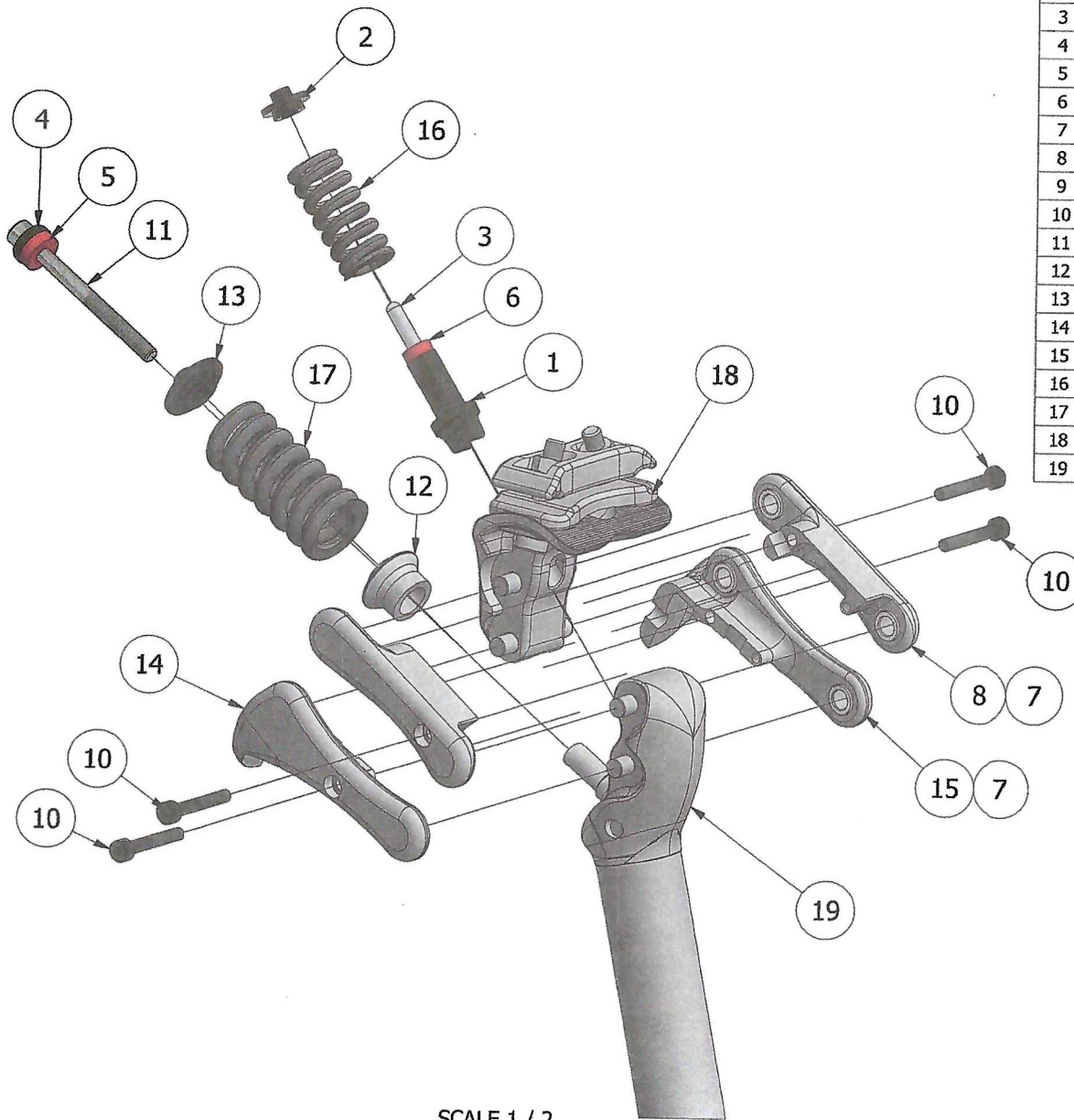


REVISION DATE

3/10/2022



PARTS LIST

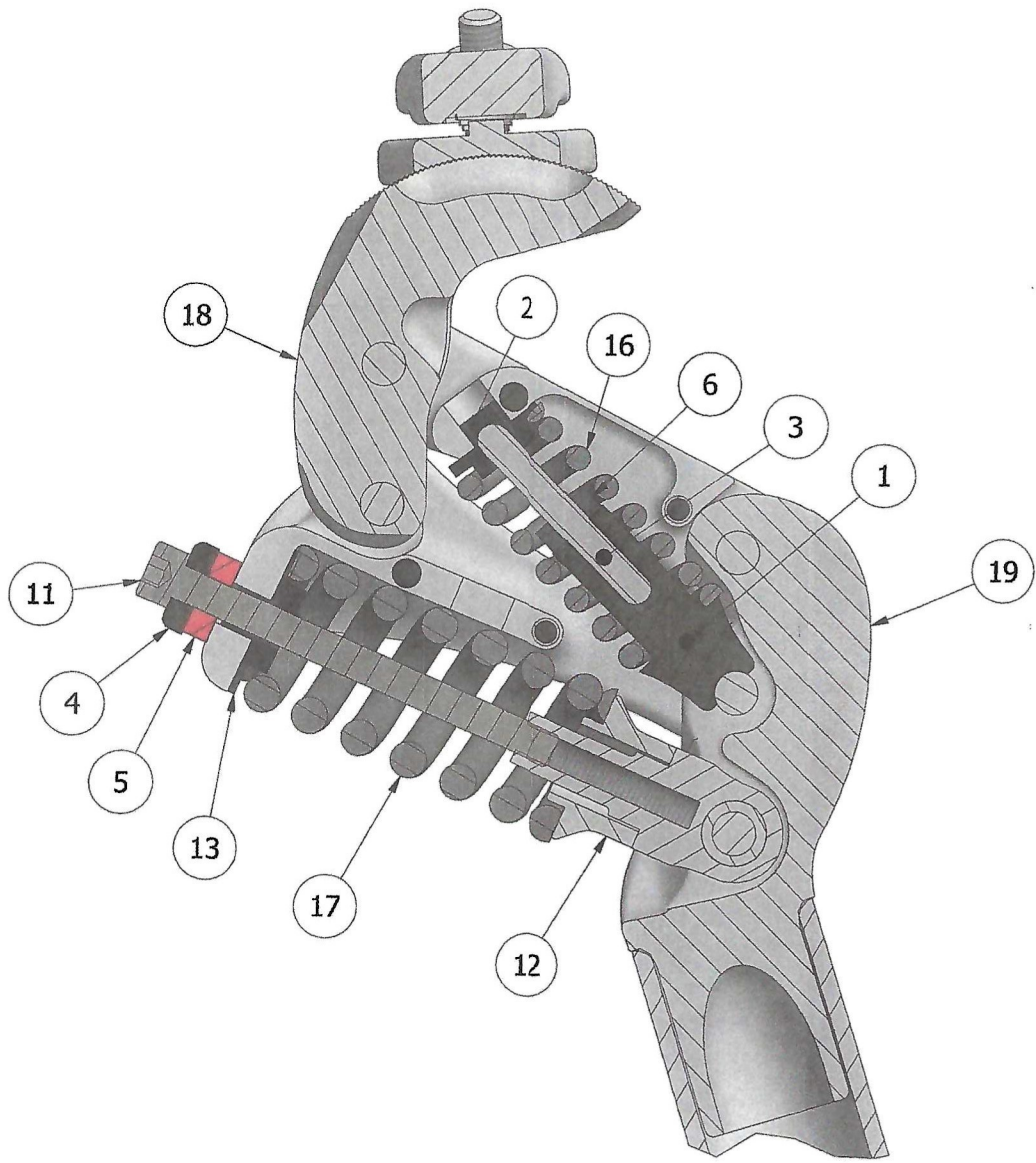
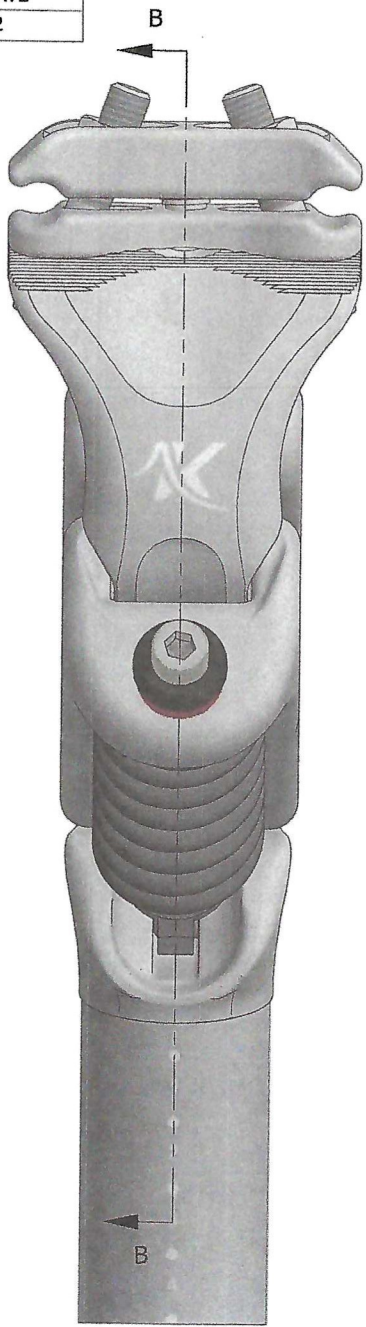
ITEM	QTY	PART NUMBER	DESCRIPTION	TORQUE
1	1	0005	UPPER SPRING GUIDE	
2	1	0006	UPPER SPRING GUIDE BUSHING	
3	1	0007	UPPER SPRING GUIDE PIN	
4	1	0010	PRELOAD WASHER	
5	1	0011	TOP OUT ELASTOMER	
6	1	0012	BOTTOM OUT ELASTOMER	
7	8	0026	IGUS JSI-0406-04 BUSHING	
8	1	0031	LEFT UPPER LINK	
9	1	0032	RIGHT UPPER LINK	
10	4	0035	SIDE LINK BOLT M4X25 SHCS	2.4 Nm
11	1	0074	XL2 PRELOAD BOLT, M5X60 SHCS	
12	1	0064	1X2 LOWER SPRING GUIDE ADAPTER	
13	1	0065	XL LOWER SPRING GUIDE BUSHING	
14	1	0070	XL2 RIGHT LOWER LINK	
15	1	0071	XL2 LEFT LOWER LINK	
16	1	19-38-605	1.5in Black Spring	
17	1	25-51-735	2in Yellow Spring	
18	1		REAR LINK ASSEMBLY	
19	1		FRONT LINK ASSEMBLY	

SCALE 1 / 2

Kinect XR Seatpost Assembly

REVISION DATE

3/10/2022



SECTION B-B
SCALE 1 : 1

Kinect XR Seatpost Assembly