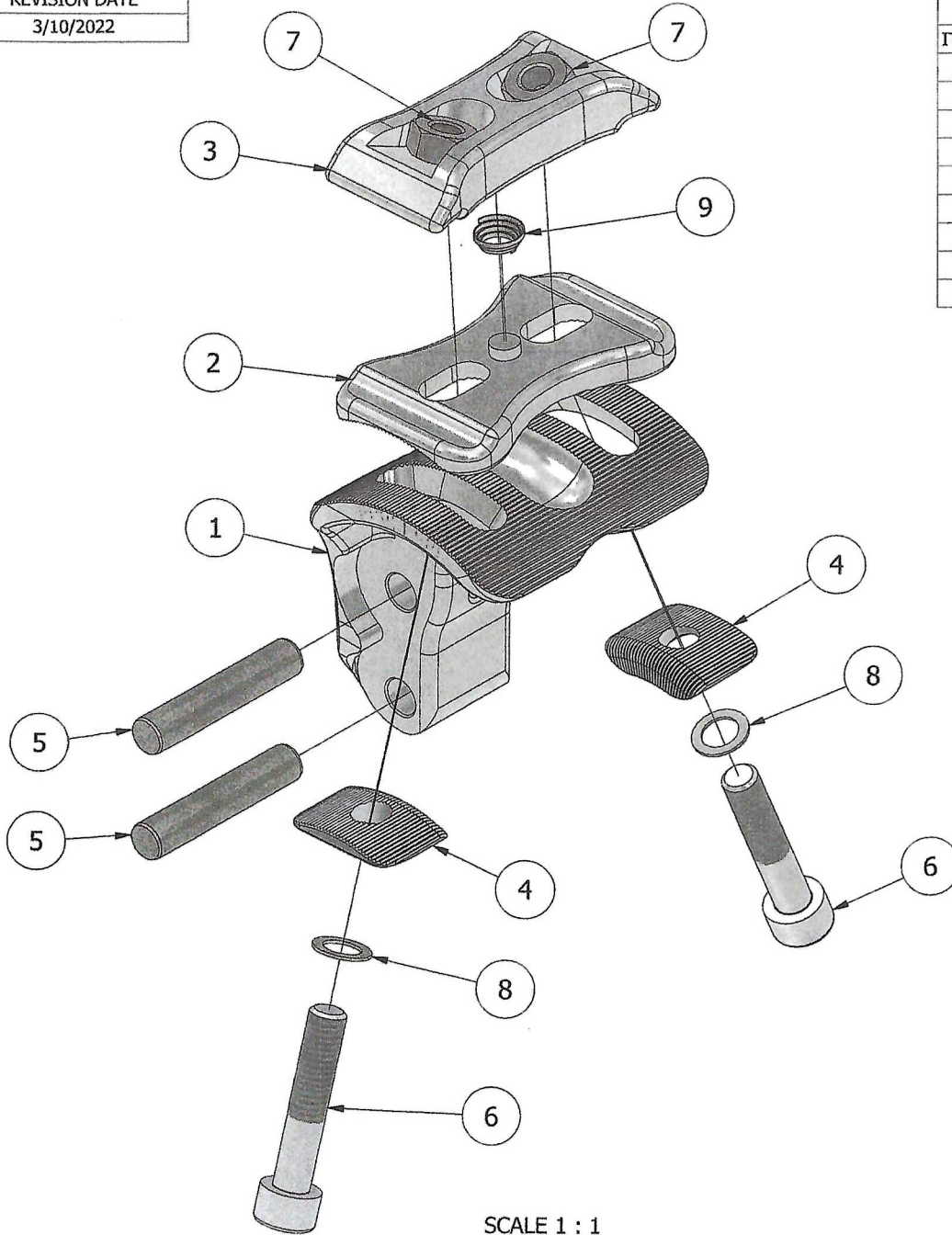


REVISION DATE

3/10/2022



SCALE 1 : 1

PARTS LIST

ITEM	QTY	PART NUMBER	DESCRIPTION	TORQUE
1	1	0002	REAR LINK	
2	1	0013	LOWER SEAT CLAMP	
3	1	0014	UPPER SEAT CLAMP	
4	2	0015	SEAT CLAMP WASHER	
5	2	0021	DOWEL PIN, .25 x 1.25	
6	2	0029	SEAT CLAMP BOLT, M6X30 SHCS	10-12Nm
7	2	0030	SEATCLAMP NUT, M6 HEX NUT A4-80 STAINLESS	
8	2	0036	SEAT CLAMP SHIM WASHER	
9	1	0051	SEAT CLAMP SPRING	

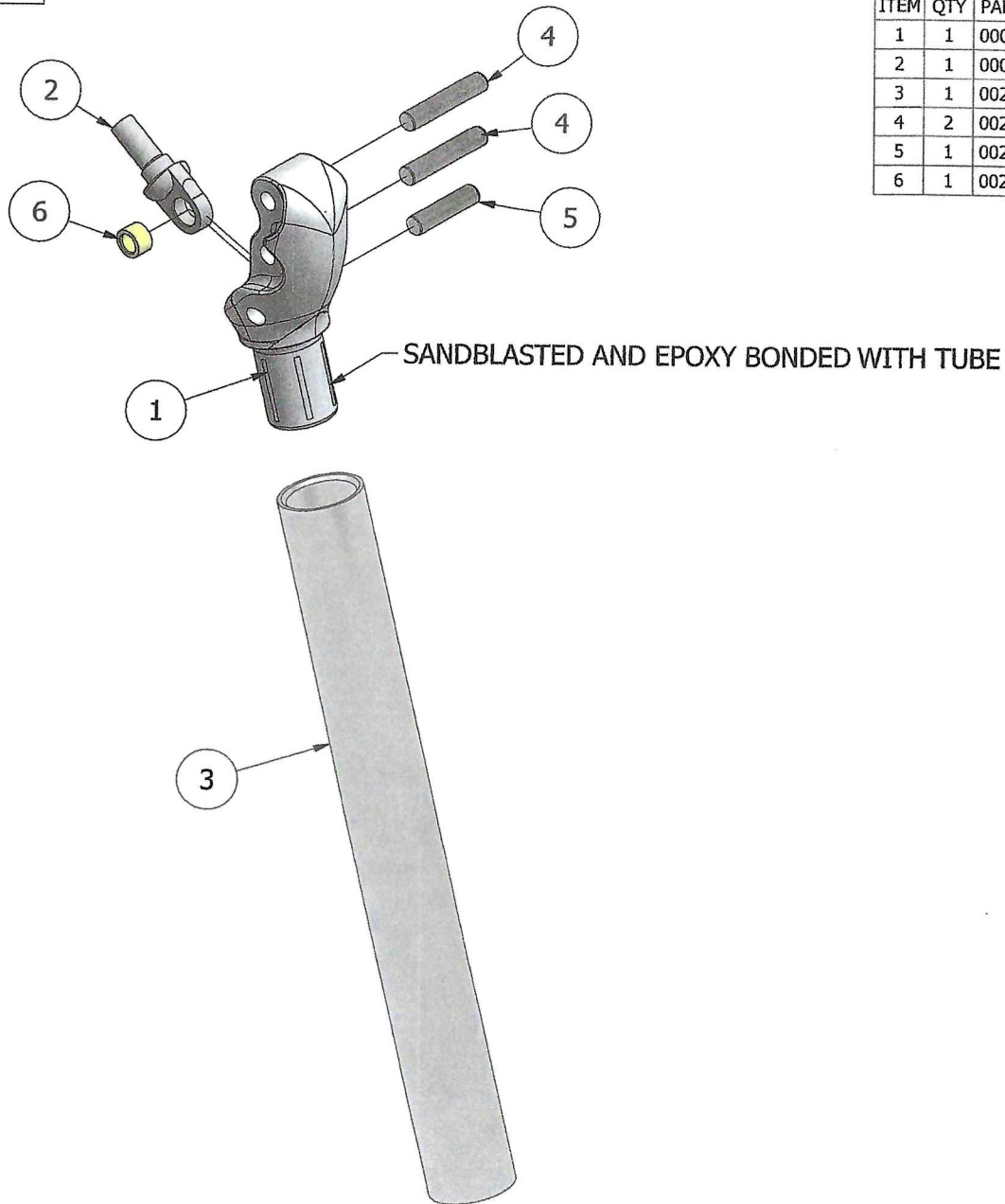
Kinect LR & XR Rear Link Assembly

REVISION DATE

3/10/2022

PARTS LIST

ITEM	QTY	PART NUMBER	DESCRIPTION	TORQUE
1	1	0001	FRONT LINK 27.2	
2	1	0008	LOWER SPRING GUIDE	
3	1	0020	SEAT POST TUBE, 27.2mm x 235mm, AL	
4	2	0021	DOWEL PIN, .25 x 1.25	
5	1	0022	DOWEL PIN, .25 x 1.00	
6	1	0026	IGUS JSI-0406-04 BUSHING	



SCALE 1 / 2

Kinekt LR & XR Front Link Assembly  
(27.2x350mm shown)