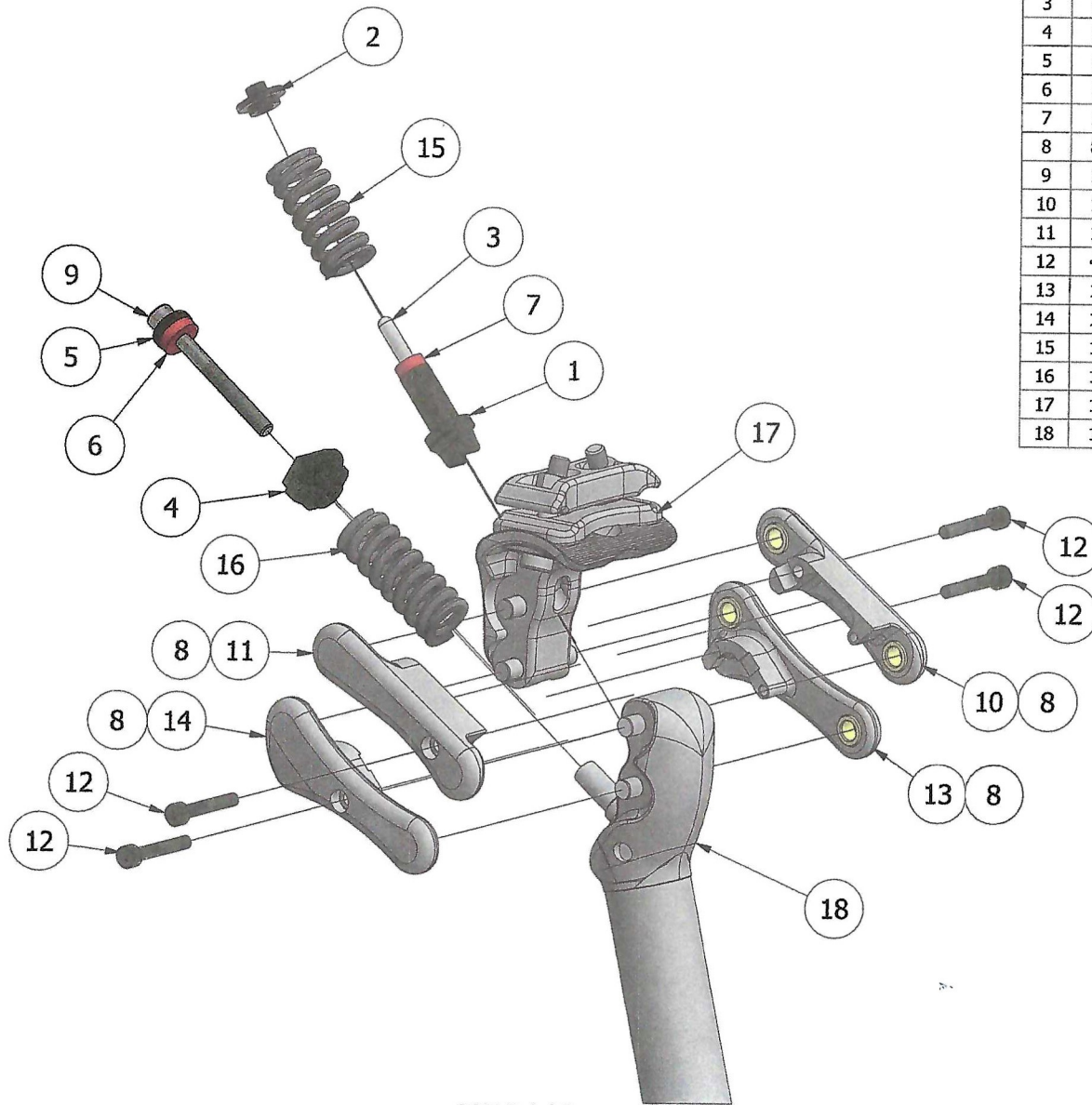


REVISION DATE

3/10/2022

PARTS LIST

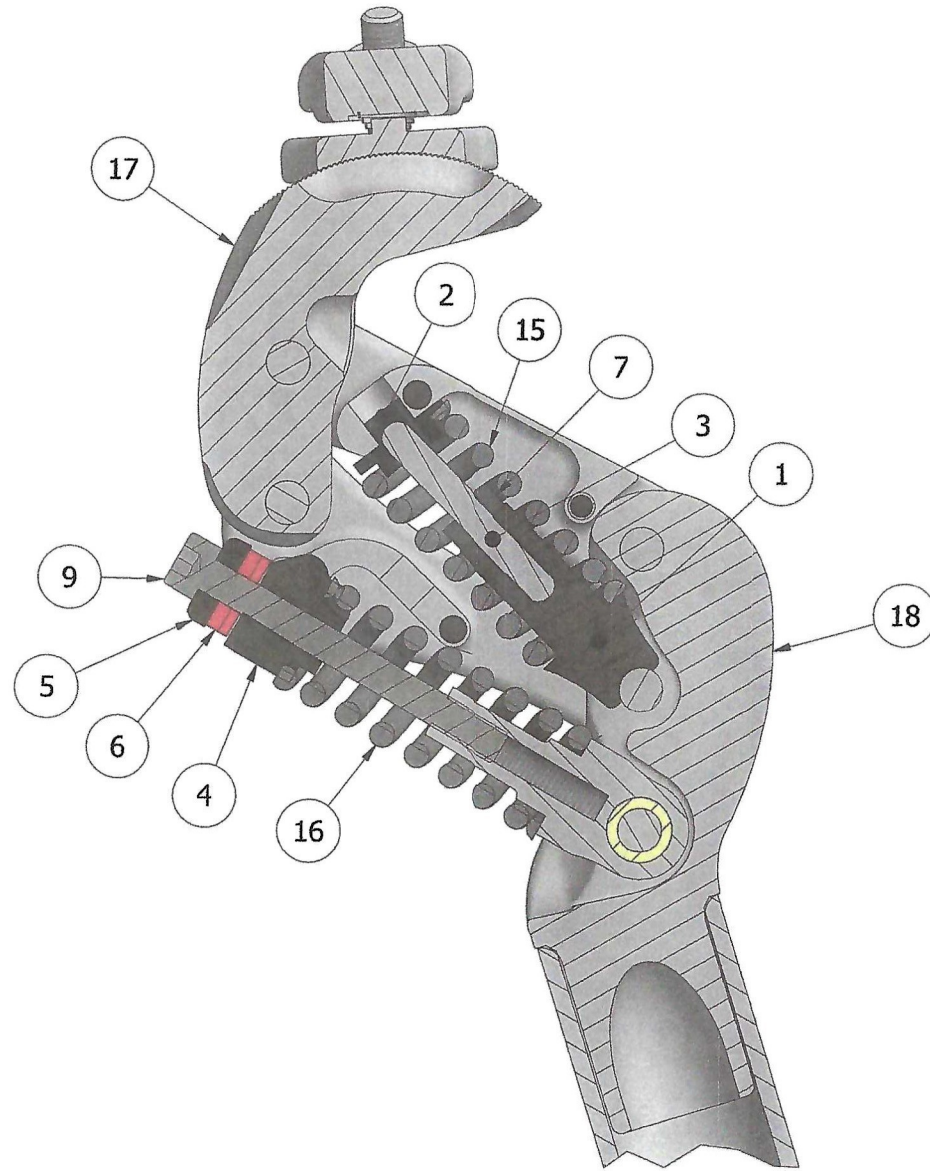
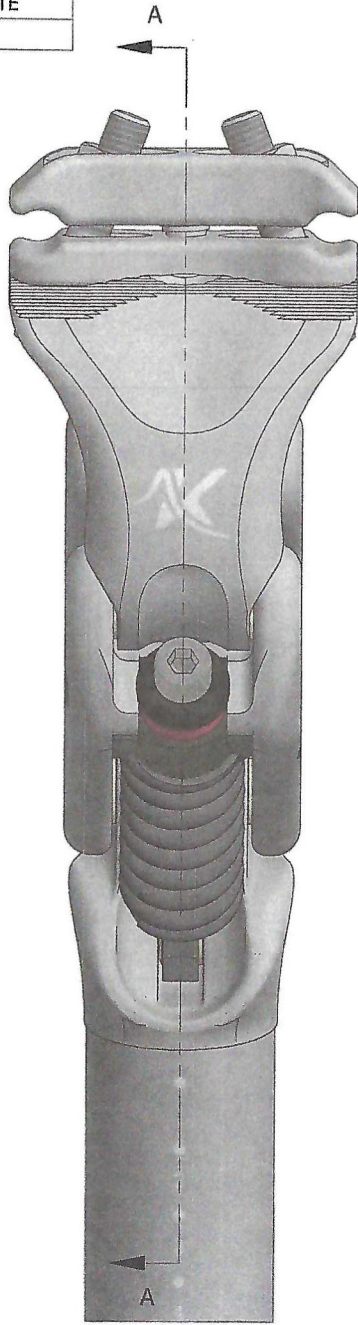
| ITEM | QTY | PART NUMBER | DESCRIPTION                | TORQUE |
|------|-----|-------------|----------------------------|--------|
| 1    | 1   | 0005        | UPPER SPRING GUIDE         |        |
| 2    | 1   | 0006        | UPPER SPRING GUIDE BUSHING |        |
| 3    | 1   | 0007        | UPPER SPRING GUIDE PIN     |        |
| 4    | 1   | 0009        | LOWER SPRING GUIDE BUSHING |        |
| 5    | 1   | 0010        | PRELOAD WASHER             |        |
| 6    | 1   | 0011        | TOP OUT ELASTOMER          |        |
| 7    | 1   | 0012        | BOTTOM OUT ELASTOMER       |        |
| 8    | 8   | 0026        | IGUS JSI-0406-04 BUSHING   |        |
| 9    | 1   | 0028        | PRELOAD BOLT M5X50 SHCS    |        |
| 10   | 1   | 0031        | LEFT UPPER LINK            |        |
| 11   | 1   | 0032        | RIGHT UPPER LINK           |        |
| 12   | 4   | 0035        | SIDE LINK BOLT M4X25 SHCS  | 2.4Nm  |
| 13   | 1   | 0041        | LEFT LOWER LINK            |        |
| 14   | 1   | 0042        | RIGHT LOWER LINK           |        |
| 15   | 1   | 19-38-605   | 1.5in Black Spring         |        |
| 16   | 1   | 19-44-500   | 1.75in Black Spring        |        |
| 17   | 1   |             | REAR LINK ASSEMBLY         |        |
| 18   | 1   |             | FRONT LINK ASSEMBLY        |        |



SCALE 1 / 2

Kinect LR Seatpost Assembly

REVISION DATE  
3/10/2022



SECTION A-A  
SCALE 1 : 1

Kinect LR Seatpost Assembly