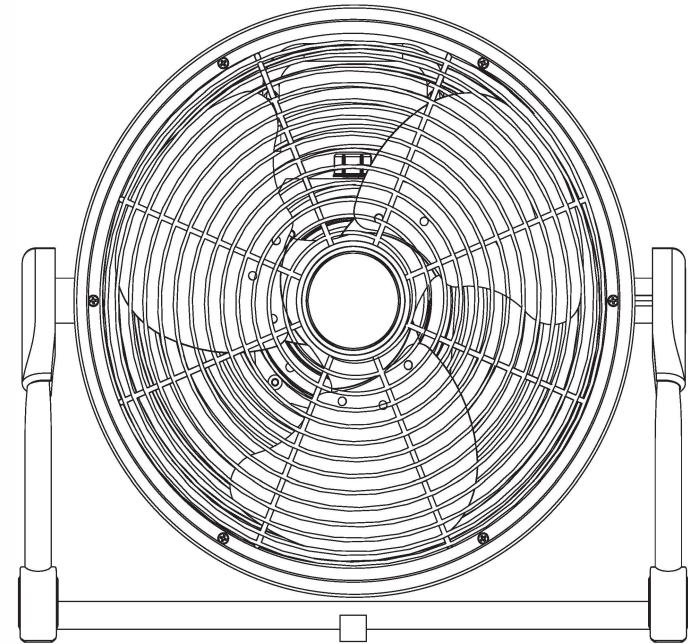


# iQ Rectangle 12" Rechargeable Floor Fan Instruction Manual



# Redfern

Smart Products for Home + Health

**IMPORTANT:** Please read this manual carefully before Using this fan. Please save Instructions for future reference.

Safety Introductions	2-3
Product Description	5
How To Use	6
Clean And Maintenance	7
Troubleshooting	8-9
Warranty	10

## Specification

Model	iQ1200+
Voltage	DC 24V 1 A
Recharge Time	1.5-2 Hrs
Duration Time	3-24 Hrs
Power	20W

## WARRANTY

### 1 Year Limited Warranty

This product is warrantied for 1 year from the original date of purchase, against defects in materials and/or workmanship when utilized for normal household use. During this period if the unit is proved defective it will be repaired or replaced at the discretion of the service technician.

**The unit shall be returned, by original purchaser, freight prepaid with proof of original purchase date and \$29.99 return shipping/handling charges included. Redfern Enterprises does not accept C.O.D.'s and will not reimburse for any fees associated with the return or shipping of the item.**

This warranty does not apply to any defect arising from a buyers misuse, negligence, failure to follow instructions, use on current or voltage other than that stamped on the unit or repairs not authorized by a Redfern Ent. technician will null and void the warranty.

If you believe that your product is defective, contact Redfern Enterprises Customer Services Department:

CANADA  
101-127 Commercial Drive,  
Calgary, AB T3Z 2A7  
TF: 1-877-387-7770 (Toll Free)  
info@redferment.com www.redferment.com

UNITED STATES  
4168 N North Pecos Road, Ste 102  
Las Vegas, Nevada, 89115  
1-877-462-5757 ext. 1 (Toll Free)  
infous@redferment.com www.redfermentus.com

**Obtain a repair authorization number (RA Number) and bring in or send prepaid to the Service Center with proof of original purchase date, and prepaid return shipping of \$29.99. See contact info above for RA Number.**

## Troubleshooting

PROBLEM	CASE	POSSIBLE CAUSE	SOLUTION
All indicator lights flash at the same time	/	PCB malfunction	Reset the rotary switch
The fan speed is sometimes fast and sometimes slow or stops intermittently	Check the battery status	It is difficult to start when the battery is less than 20%	<b>Charge the battery for 3 hours and no more than 8 hours</b>
		Motor or PCB malfunction	Please contact customer service

## IMPORTANT SAFETY INTRODUCTIONS

Thank you for choosing our products. This owner's guide and any additional inserts are considered part of the product. They contain important information about safety, use and disposal. Before using the product, please familiarize yourself with all operating and safety instructions. Please keep all documents for future reference.

### INTENDED USE

This product is intended to circulate the air in indoor and outdoor spaces. This product is not intended for commercial or industrial use. The manufacturer assumes no responsibility for damage or injury due to unauthorized use or product modification. Failure to follow these directions will void the product warranty.

### WARNING: Risk to Children and Impaired Persons

Supervision is required during the installation, operation, cleaning and maintenance of this product by children and anyone with reduced physical, sensory or mental capabilities. Children should be supervised to ensure that they do not play with the appliance, its parts and packaging material.

### SAFE USE WARNING— To reduce risk of fire, electrical shock and injury to persons, observe the following

This fan is designed to be powered by a 24 volt AC/DC power adapter or the Li-ion battery pack built in the product. Do not attempt to use with any other power supply.

1. When using this product, please refer to the description in this manual. Other unauthorized use may cause fire, electric shock or injury.
2. Please put the fan out of children's reach. This product is not for children to use alone.
3. Please turn off the fan when moving and leaving.
4. Please place the fan on a horizontal, stable surface to avoid overturning.
5. When using the fan, do not put fingers, pens or other objects into the net cover.
6. Unplug the power plug before cleaning the fan.
7. Do not disassemble, modify or use for other purposes.
8. Do not expose the battery to liquid, and do not let the battery suffer strong impact.
9. Do not plug the charger into or out of the power socket with wet hands.
10. Do not operate the fan without the protection of the mesh cover, as it may cause serious personal injury.
11. If the charger or power cord is damaged, it must be replaced by the manufacturer or its service agent or a person with similar qualification to avoid danger.
12. The charger provided by us is special, and no other charger can be used.

13. Please do not use the charger provided by us to charge other products, because the charger is dedicated.
14. In order to reduce the risk of fire or electric shock, please do not use any solid-state governor to control the fan.
15. Before inserting the power supply, make sure that the voltage and frequency of the power supply are the same as those shown on the charger label.
16. Do not put the fan in the fire, because there is battery in the fan, which may explode.
17. The continuous charging time shall not exceed **8** hours, and the charger shall be unplugged after charging.
18. Do not remove or modify the fan battery.
19. When cleaning the fan, first discharge the power of the fan until the product does not run and is not in the state of charging, then remove the net cover and the fan blade, wipe off the oil stain and dust trace with a soft cloth moistened with detergent or alcohol (never use gasoline or other corrosive liquid to plastic and paint), and then use a dry cloth to wipe off, pay attention not to collide with the fan blade and change the angle of the fan blade.
20. The user is not allowed to dismantle and replace the internal parts of the fan at will. In case of any fault, the user must contact the after-sales service department for maintenance.
21. Do not forget to shut down and charge.
22. This product can only be charged indoors.
23. Do not incinerate this fan and its batteries, even if it is severely damaged. The batteries can explode in a fire.
24. A battery operated fan with integral batteries or a separate/detachable battery pack shall be recharged only with the specified charger for the battery. A charger that may be suitable for one type of battery may create a risk of fire when used with another battery.
25. Use battery operated fan only with specifically designated battery pack. Use of any other batteries may create a risk of fire.
26. When battery pack is not in use, keep it away from other metal objects such as paper clips, coins, keys, nails, screws, or other small metal objects that can make a connection from one terminal to another. Shorting the battery terminals together may cause sparks, burns, or a fire.
27. Unplug or disconnect the appliance from the power supply before servicing, Do not incinerate this fan, even if it is severely damaged. The batteries can explode in a fire. Dispose of the fan in accordance with the following instructions: If the fan is damaged and cannot be used, return the fan to the designated recycling company or the manufacturer. Do not discard the fan.
28. To Reduce The Risk Of Fire Or Electric Shock, Do Not Use This Fan With Any Solid-State Speed Control Device.

## Troubleshooting

PROBLEM	CASE	POSSIBLE CAUSE	SOLUTION
The fan is not turning on	If Power Indicator Light is OFF	The unit has ran out of battery	Use the charger to recharge the unit
	If Power Indicator Light is ON	Motor malfunction	Please contact customer service
	The unit only works with the power charger	Battery malfunction	Please contact customer service
Battery fails to get charged	If Power Indicator Light is OFF	Check the connection of socket and charger	Replace the power socket
		The power charger is malfunctioned	Replace the power charger
The power charger overheated during charging	/	Might be the poor connection of socket and charger	Replace the power socket
		The power charger is malfunctioned	Replace the power charger
The battery life is too short	/	The battery is not fully charged	Charge the battery more than 3 hours
		Exceed battery lifespan	Please contact customer service
Can NOT change the speed	Check the Rotary Switch	PCB malfunction	Please contact customer service

## **Clean and Maintenance**

Before cleaning, firstly discharge the battery until the fan does not run, make sure it is not in the state of charging and unplug. Do not use gasoline, thinners, solvents, ammonias or other chemicals for cleaning. Pay attention not to collide with the fan blade and change the angle of the fan blades.

### **Cleaning the fan**

Always turn off the fan and disconnect the power supply from the fan before cleaning. Clean fan grill periodically with a vacuum cleaner.

### **Maintenance**

When the product is not used, it shall be placed in a dry and ventilated environment. When the product is not used for a long time, it shall be fully charged every 3 months, which will help prolong the battery life.

### **Note**

Any other servicing should be performed by an authorized service representative.

### **Caution**

Do not replace the battery pack. If you need to replace the battery pack, contact the manufacturer and replace the battery pack with a qualified person.

29. Do not run cord under carpeting. Do not cover cord with throw rugs, runners, or similar coverings. Do not route cord under furniture or appliances. Arrange cord away from traffic area and where it will not be tripped over.
30. CAUTION: Risk of Fire and Burns. Do Not Open, Crush, Heat Above (manufacturer's specified maximum temperature) or Incinerate. Follow Manufacturer's Instructions.
31. Do not replace the battery by yourself.

## **DISPOSAL**

We actively encourage you to participate in the electronic recycling program, so please properly dispose of waste electronic products in accordance with local regulations, and do not treat the products as household garbage.

### **How to dispose?**

- a. **Take to your local battery recycler.**
- b. Contact the original manufacturer's after sales contact and give the battery to them for recycling.

## Product Description



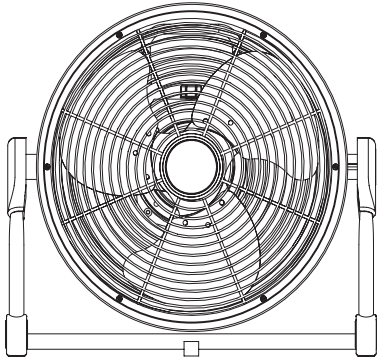
**2000MAH X 6 CELLS**  
LITHIUM-ION BATTERY



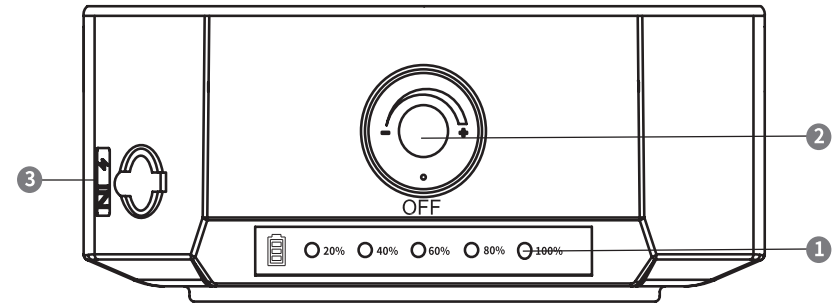
**WATER RESISTANT**  
FOR OUTDOOR USE



**BLDC**  
COPPER MOTOR

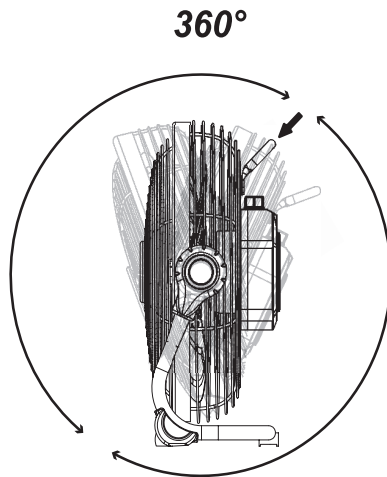


Power Charger



### Adjusting Fan Angle

To adjust the fan angle, grasp fan by the back handle and tilt fan forwards or backwards. The fan can pivot to a range of 360°.



### 1 Power Indicator Light

There are 5 LED lights to indicate the battery gauge in 20 every 20%. The light will blink if battery is in charging status. When battery is fully charged all lights will be off. Never let battery fall below 20% charge, if indicator is RED, you must charge. If battery power is extremely low, all lights will be OFF. Use power charger to recharge fan.

### 2 Rotary Switch

To turn the fan On, rotate the switch from “off” to “+”. This fan has a variable speed setting. Rotate the switch clockwise (+) or counter clockwise (-) to adjust the speed. To turn the fan Off, return the control switch to “off”.

### 3 Power Supply Jack

When used with the power charger, connect the power cord to the power supply jack, plug the charger to a suitable electrical outlet.