

ROCKET ULTRA SPIN MOP

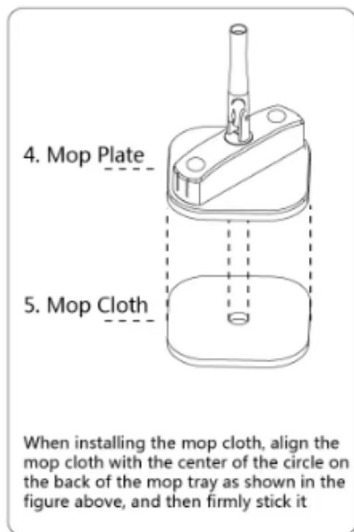
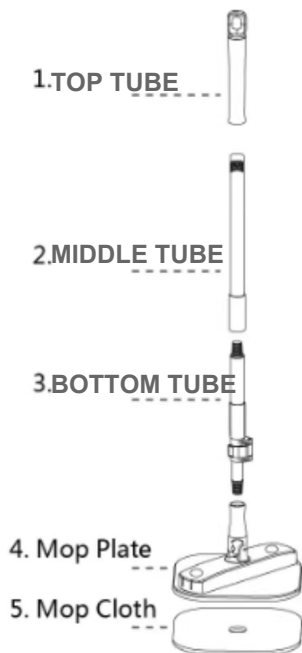


Redfern

Smart Products for Home + Health

Please read this manual carefully before using the product

ROCKET ULTRA SPIN MOP INSTALLATION



6. Clean Water Filling hole

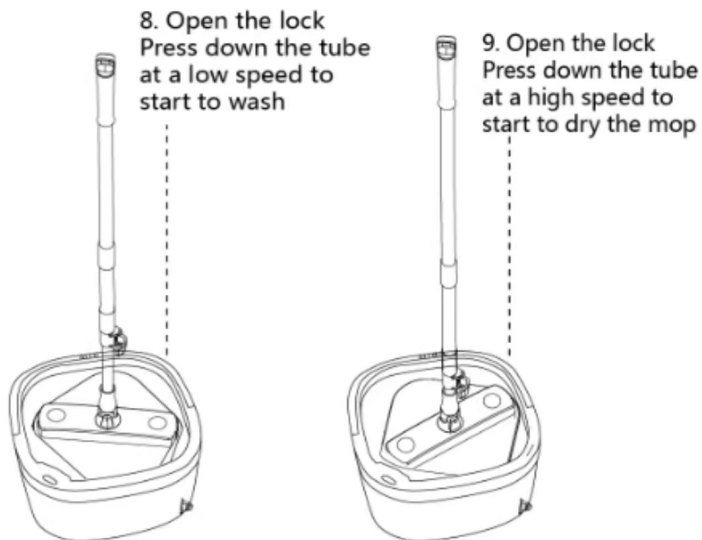


7. Dirty Water Outlet

ROCKET ULTRA SPIN MOP USER OPERATIONS

Put in washing mode by pressing down on the tube evenly at low speed. When pressing down the tube at high speed, it will return to dehydration drying mode. Stop to press down on tube after hydration drying and take the mop out until a clicking sound is heard.

**REMINDER:
LOW SPEED WASHING, HIGH SPEED
DEHYDRATION DRYING**



It is in drying mode when Black round marker becomes Red after pressing down tube at high speed.

1 Year Limited Warranty

This product is warranted for 1 year from the original date of purchase, against defects in materials and/or workmanship when utilized for normal household use. During this period if the unit is proved defective it will be repaired or replaced at the discretion of the service technician.

The unit shall be returned, by original purchaser, freight prepaid with proof of original purchase date and \$29.99 return shipping/handling charges included. Redfern Enterprises does not accept C.O.D.'s and will not reimburse for any fees associated with the return or shipping of the item.

This warranty does not apply to any defect arising from a buyers misuse, negligence, failure to follow instructions, use on current or voltage other than that stamped on the unit or repairs not authorized by a Redfern Ent. technician will null and void the warranty.

If you believe that your product is defective, contact Redfern Enterprises Customer Services Department:

CANADA
101-127 Commercial Drive,
Calgary, AB T3Z 2A7
TF: 1-877-387-7770 (Toll Free)
info@redferment.com www.redferment.com

UNITED STATES
4168 N North Pecos Road, Ste 102
Las Vegas, Nevada, 89115
1-877-462-5757 ext. 1 (Toll Free)
infous@redferment.com www.redfermentus.com

Obtain a repair authorization number (RA Number) and bring in or send prepaid to the Service Center with proof of original purchase date, and prepaid return shipping of \$29.99. See contact info above for RA Number.