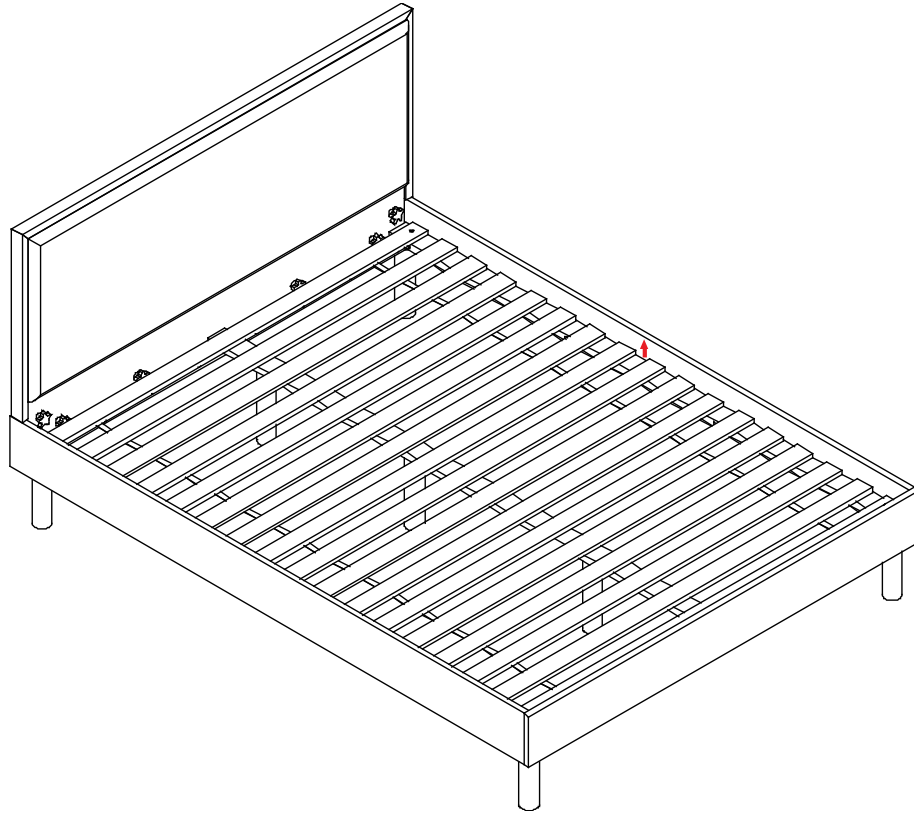


ASSEMBLY INSTRUCTIONS

BED FRAME & HEADBOARD



BED FRAME & HEADBOARD

Questions, Concerns, Missing Parts?

Contact our customer service department before returning the product to the retailer.
If parts are missing or damaged, we will gladly ship your replacement parts free of charge.

Visit dhpurniture.com/eng/replacement-parts or call Toll-Free 1 (800) 267-1739.
You can also chat with us at dhpurniture.com



Assembling Your Bed Frame & Headboard

Scan the code or visit the DHP help center for assembly videos and more!
helpcenterdhpurniture.com

LIMITED 1 YEAR WARRANTY

Dorel warrants this product to be free from defects in material and workmanship and agrees to remedy any such defect. This warranty covers one year from the date of original purchase from authorized retailers. This is solely limited to the repair or replacement of defective parts and assembly labor is not included.

This warranty does not apply to any product which has been improperly assembled, subjected to misuse or abuse or which has been altered or repaired in any way. The warranty does not cover wearing, tearing, fading or splitting of the fabric (where applicable). Liability for consequential damages is excluded to the extent exclusion is permitted by law. This warranty gives you specific legal rights and you may also have other rights which vary from state to state or province to province.

To obtain warranty service, purchaser must present original bill of sale. Components repaired or replaced are warranted through the remainder of the original warranty period only. The defective components will be repaired or replaced without charge, subject to the terms and conditions described above.

Visit dhpurniture.com to view the limited warranty valid in the U.S. and Canada.

CONTACT US

For help with assembly, identifying parts, product information or to order parts, please contact us:

Chat

dhpurniture.com

Call

1 (800) 267-1739

Monday - Friday, 9am - 9pm EST

Saturday, 10am - 6:30pm EST

Sunday, 11am - 7pm EST

Mail

DHP Customer Services

12345 Albert Hurdon

Suite 100

Montreal, Quebec

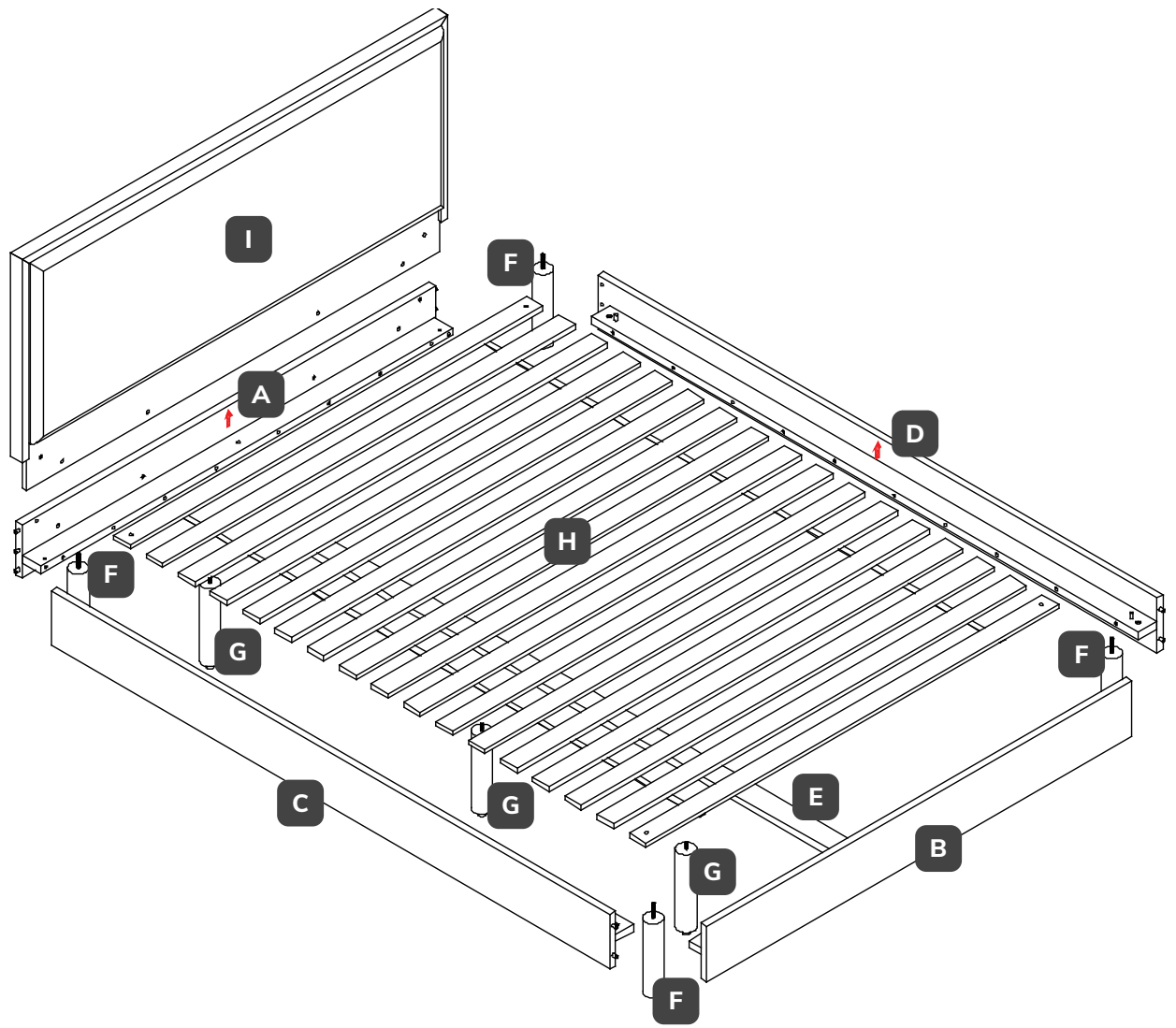
H1G3L1

Email

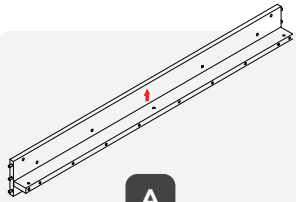
cs@dhpurniture.com

READ BEFORE BEGINNING ASSEMBLY

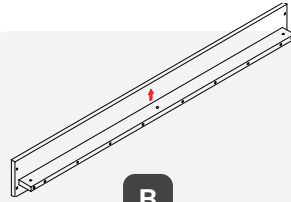
1. Work in a spacious area and near where the unit will be used, preferably on a carpet, or use a piece of the cardboard packaging to protect your floor and product.
2. Make sure all parts are included. Most parts are labeled or stamped on the raw edge.
3. Read each step carefully. It is very important that each step of the instructions is performed in the correct order. If these steps are not followed in sequence, assembly difficulties will occur.
4. This product may contain small components. Please ensure that they are kept away from small children.
5. This product is designed for home use and is not intended for commercial use.



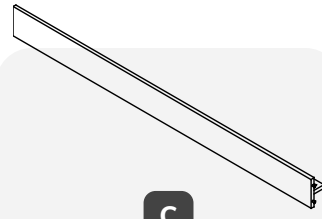
PARTS & HARDWARE



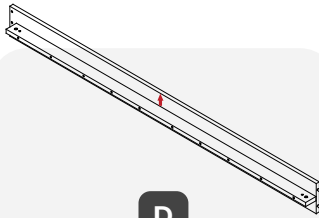
A
Headboard
x 1



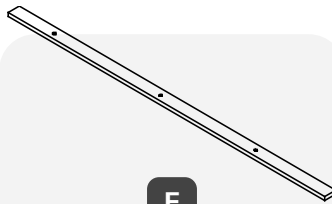
B
Footboard
x 1



C
Left Rail
x 1



D
Right Rail
x 1



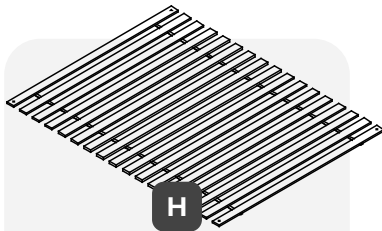
E
Slat Support
x 1



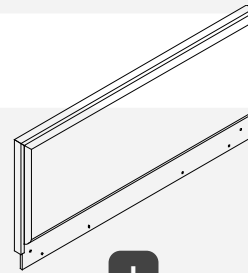
F
Legs
x 4



G
Center Legs
x 3



H
Slats
x 1



I
Cushion Headboard
x 1



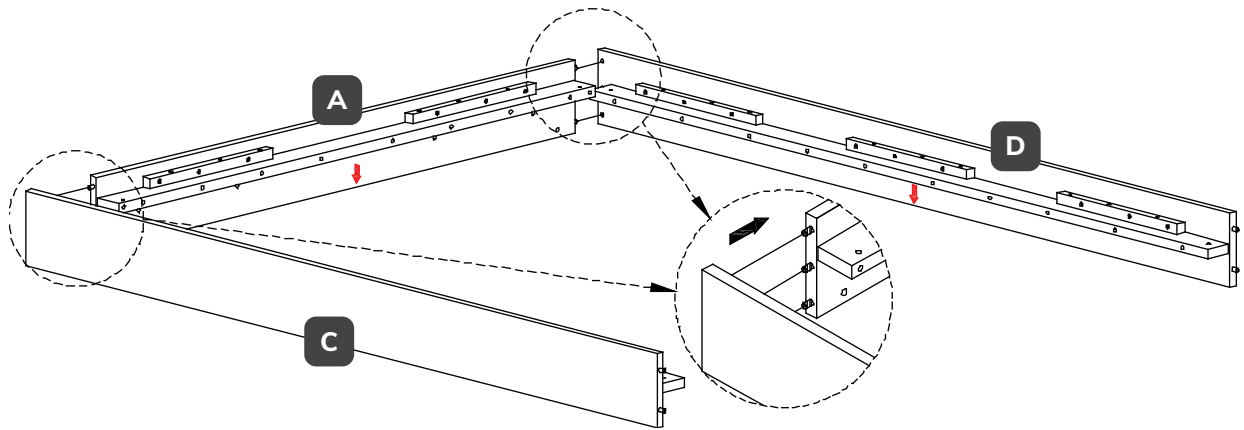
1
Star Knob
x 6

Please do not completely tighten all the hardware, until the entire assembly is complete, unless otherwise indicated in the step-by-step instructions.

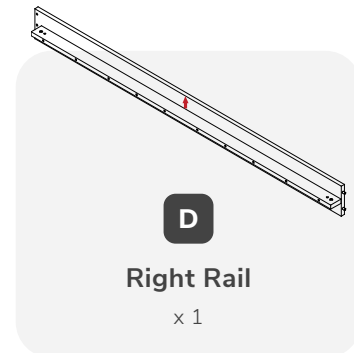
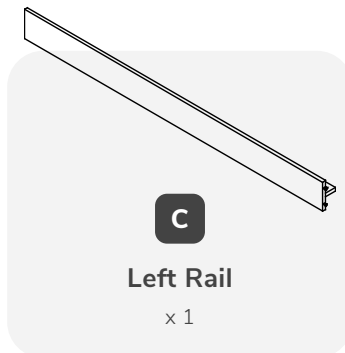
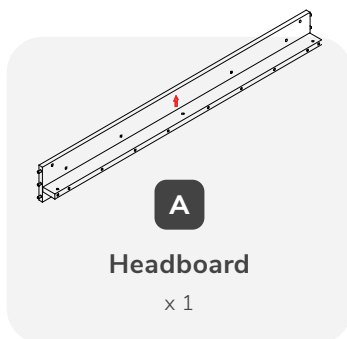
STEP 1

Attach the Headboard (A) to the Left Rail (C) and the Right Rail (D)

See reference below and pay attention to the rail orientation.



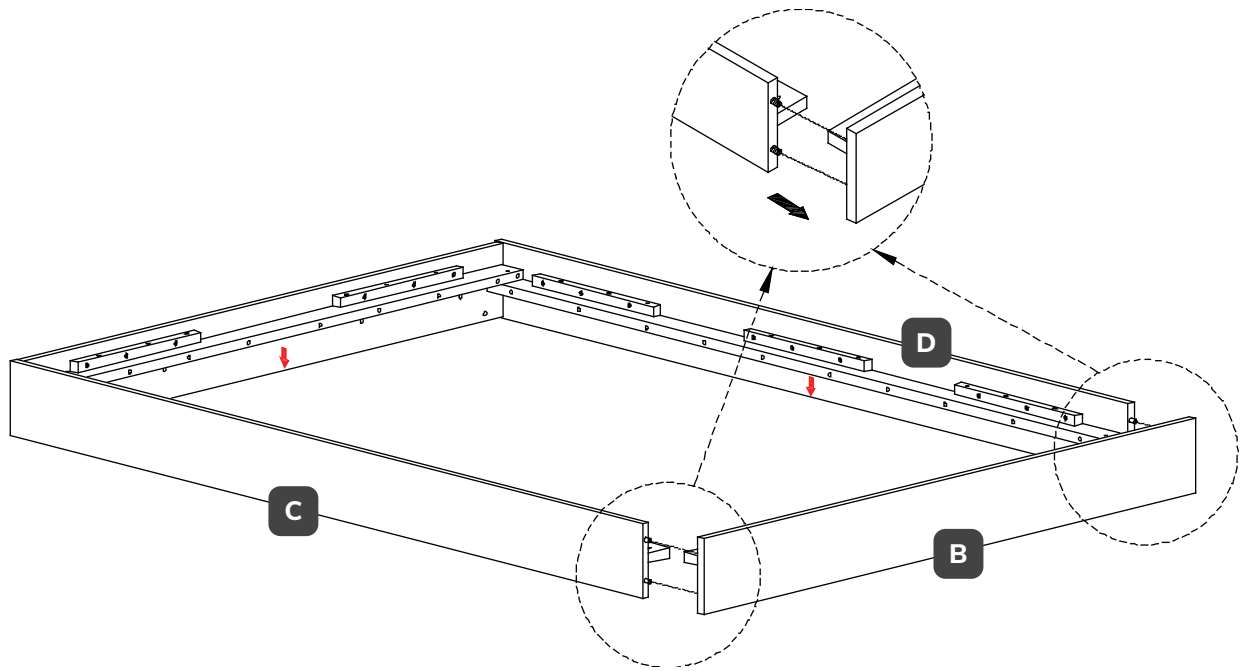
Parts used in this step



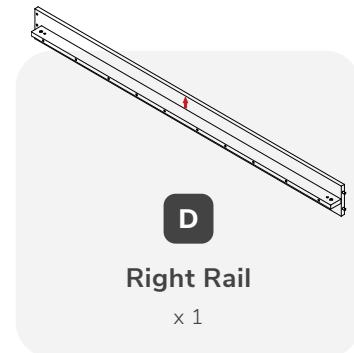
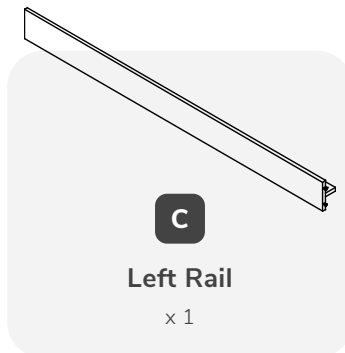
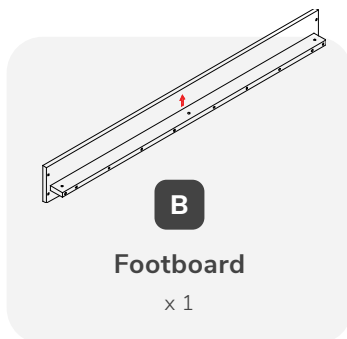
STEP 2

Attach the Footboard (B) to the Left Rail (C) and the Right Rail (D)

See reference below.



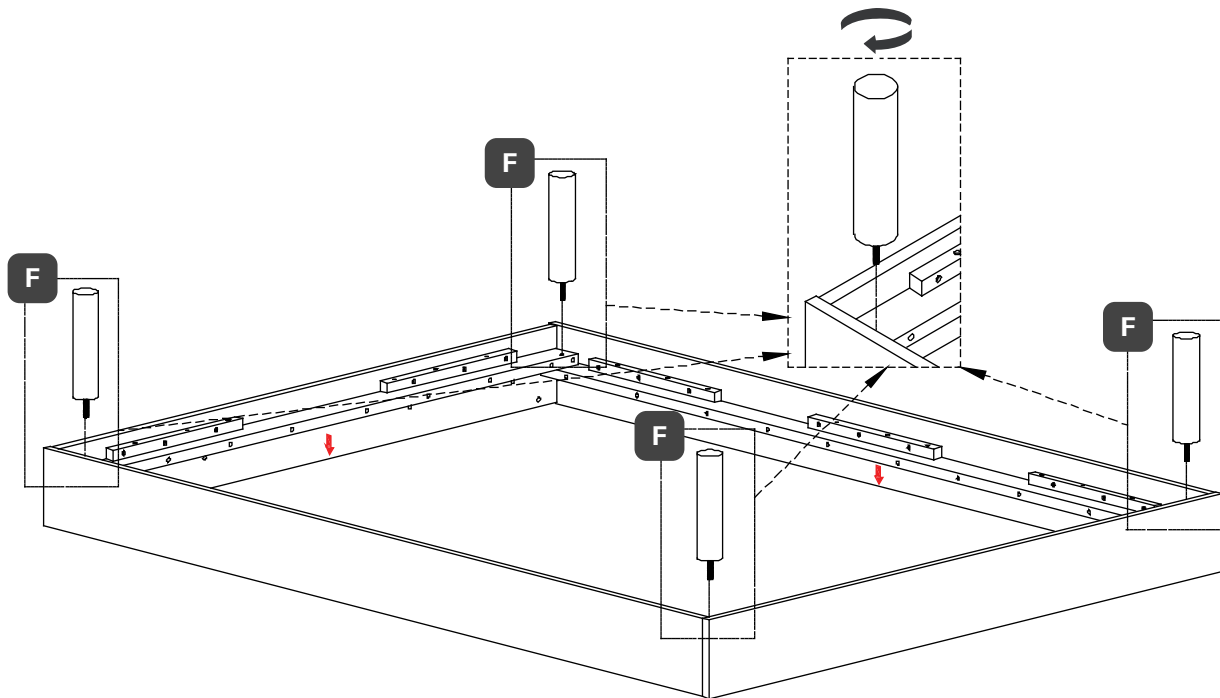
Parts used in this step



STEP 3

Attach the 4 Legs (F) to the 4 corners of the frame

See reference below. If you notice a gap line in rail connections, don't worry; loosen the leg, adjust the wood panels to correct position and tighten the leg again. Since the frame is self locking, gaps will happen when frame or panels are not perfectly aligned.



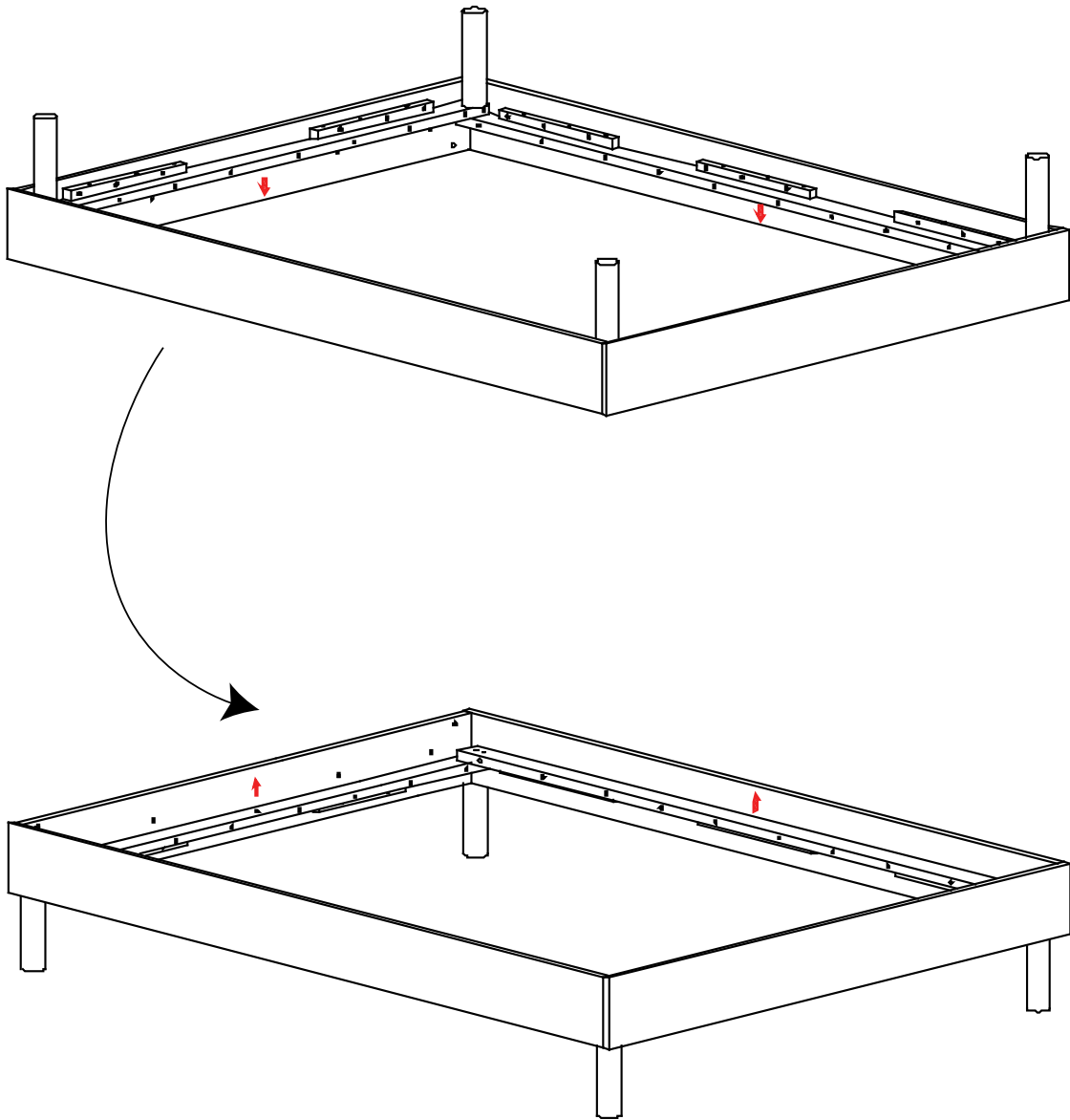
Parts used in this step



STEP 4

Flip the frame upright

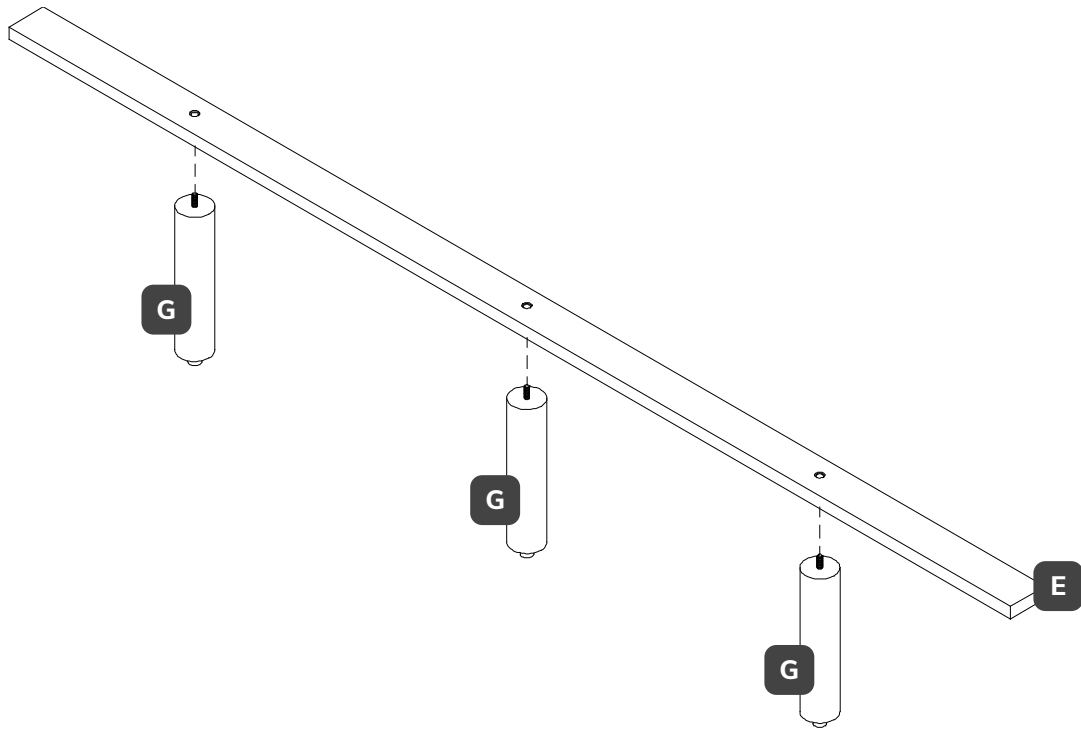
See reference below.



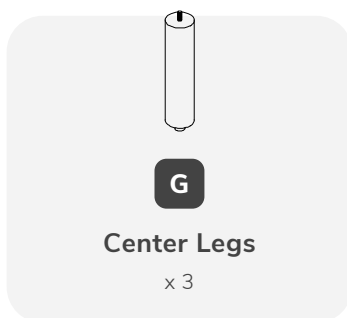
STEP 5

Attach the 3 Center Legs (G) to the Slat Support (E)

See reference below.



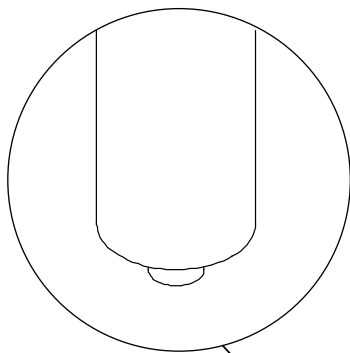
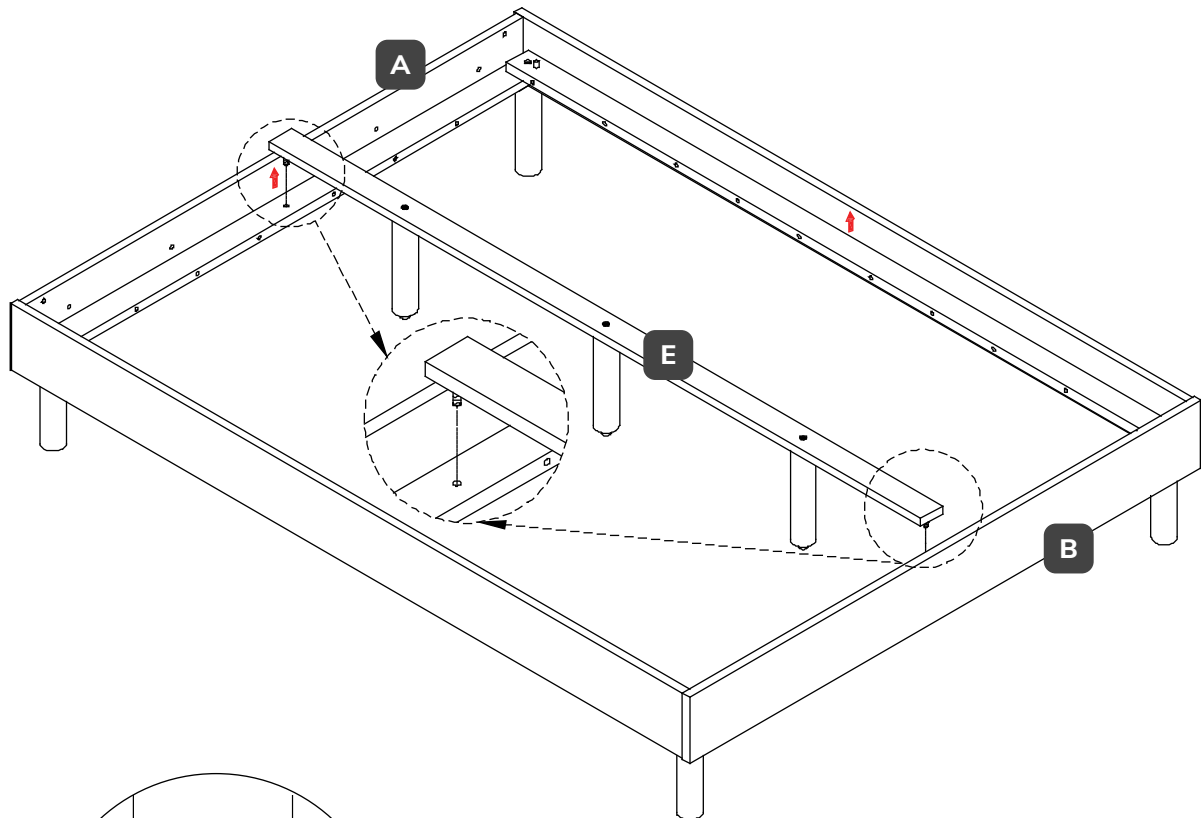
Parts used in this step



STEP 6

Attach the Slat Support (E) with the Center Legs attached to the Headboard (A) and the Footboard (B)

See reference below and adjust the leveler of the Center Legs accordingly.

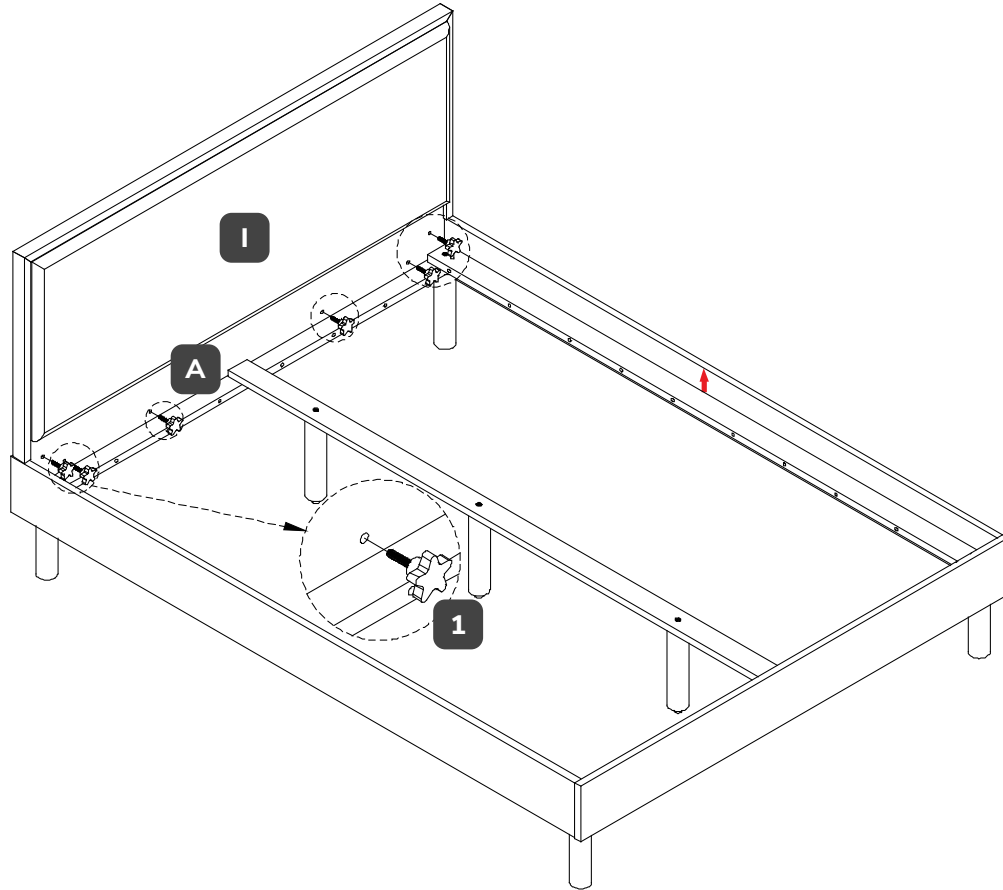


The leveler is located on the bottom of the Center Legs

STEP 7

Attach the Cushion Headboard (I) to the frame. Use Star Knobs (1) to secure to the Headboard (A)

See reference below.



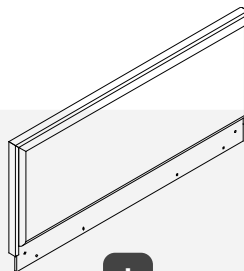
Parts used in this step



1

Star Knob

x 6



I

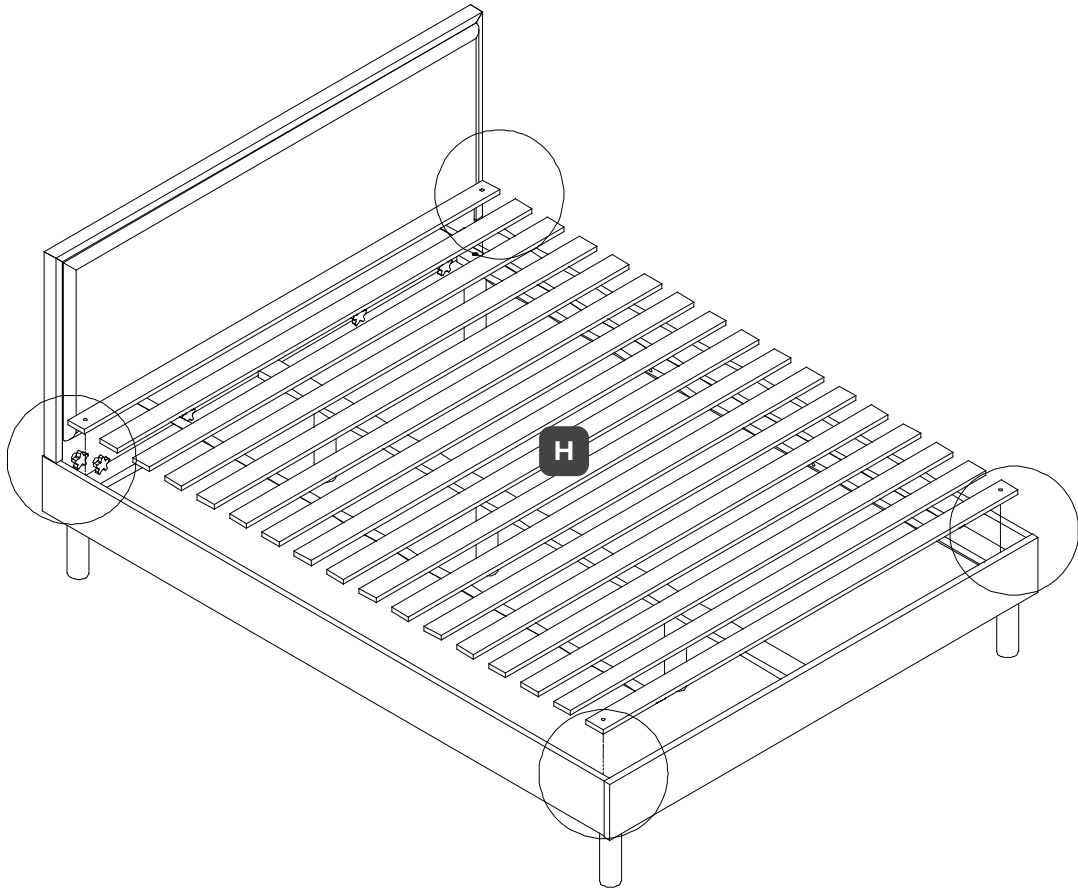
Cushion Headboard

x 1

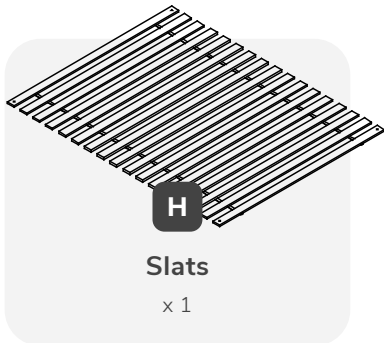
STEP 8

Attach the Slats (H) to the frame

See reference below.

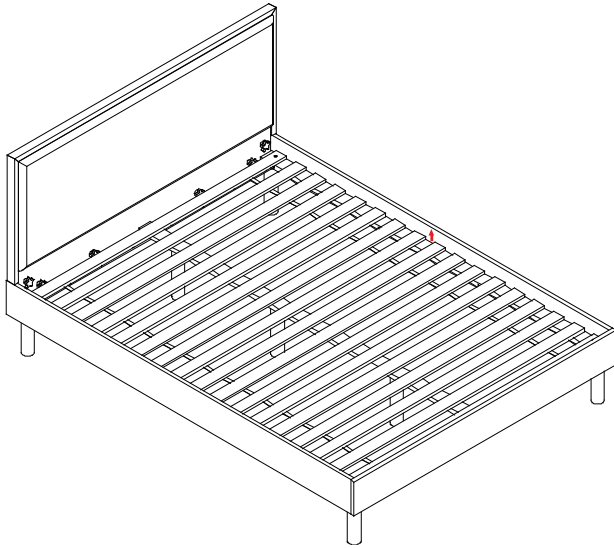


Part used in this step



ALL DONE!

That's it! You've finished assembling your Bed Frame & Headboard.



HELPFUL TIPS

- Move your new furniture carefully, with two people lifting and carrying the unit to its new location.
- Your furniture can be disassembled and reassembled to move.
- Clean the product with a soft damp cloth. DO NOT use harsh chemicals or abrasive cleaners.
- Check bolts and nuts periodically and tighten if necessary.
- Some parts have been pre-assembled for this item. They are available for replacement.

CAUTION

Weight Limit: 1,200 lbs / 545.4 kgs

This unit is intended for use only with the products and/or maximum weights indicated. Use with other products and/or products heavier than the maximum weights indicated may result in instability or cause possible injury.

WARNING

For safety reason and to prevent injuries:

- This bed is not intended for use by children under 4 years old.
- Prohibit jumping and horseplay on this bed.
- Only use a mattress which is 79-80" long and 59-60" wide.
- Do not use risers under this bed.