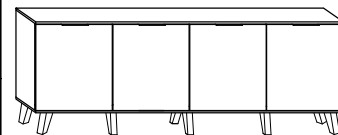




SVN-03 KOMODA 4D

→ 240 × 89 × 40

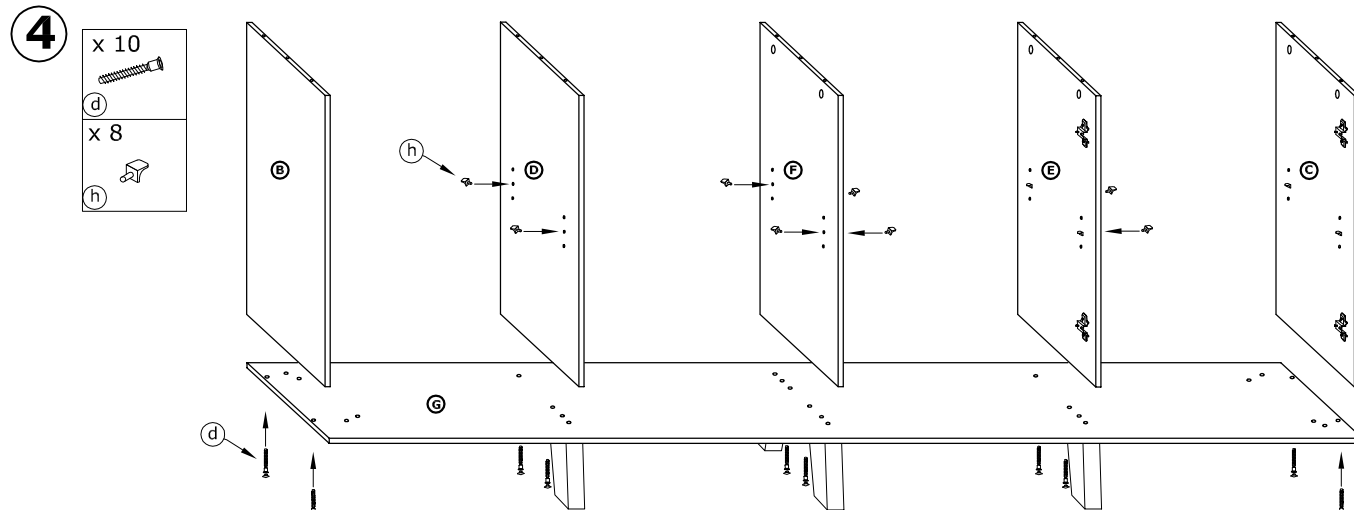
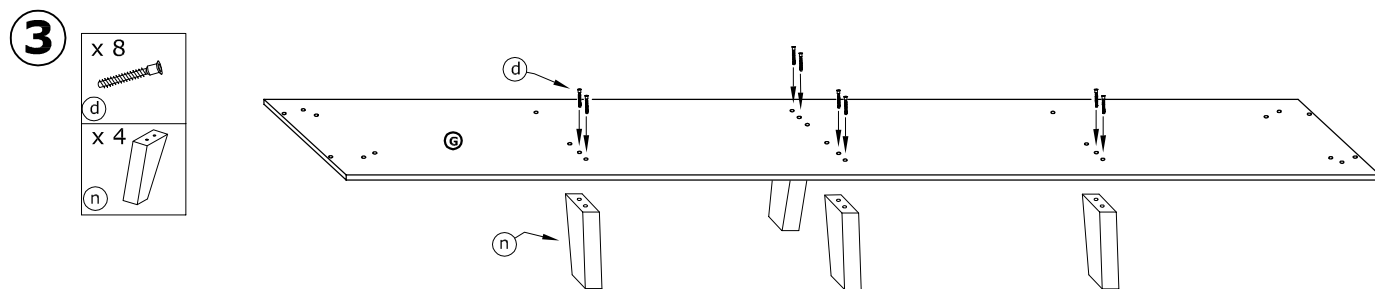
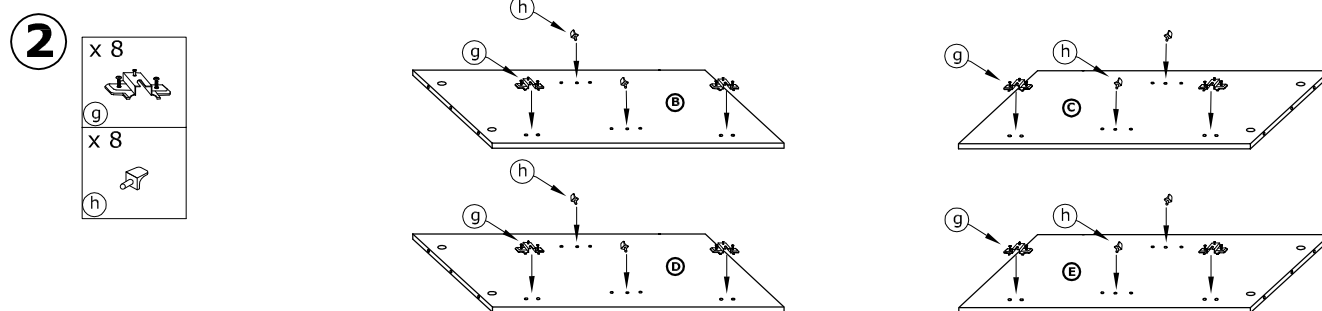
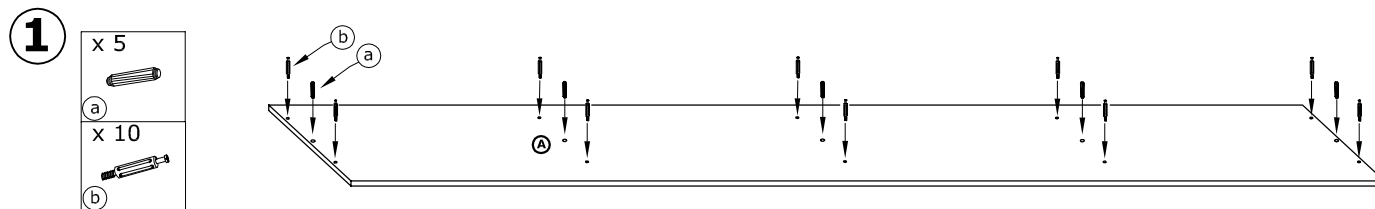


| | | | | | | | |
|--------------|---------------|------------------------|---------------------------|--------------|----------------|--------------|----------------|
| x 5 a | x 10 b | x 10 c | x 26 d | x 4 e | x 4 f | | |
| x 8 g | x 16 h | x 8 (3x16) i | x 16 (3,5x16) j | x 4 k | x 100 l | x 1 m | |
| x 8 n | | | | | | | 60 min |

1 - FAZY MONTAŻU

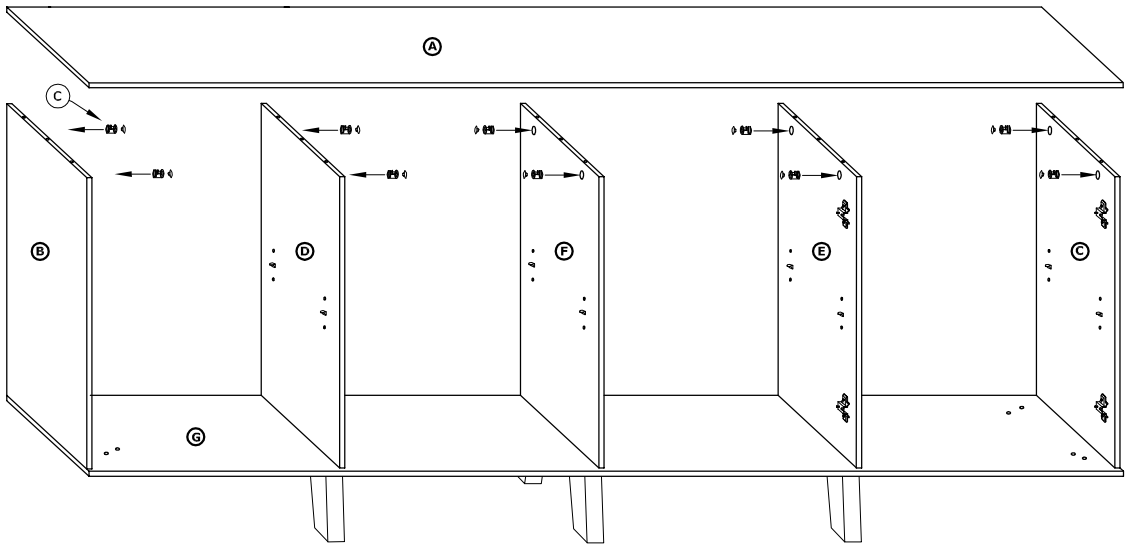
A - OZNACZENIE ELEMENTÓW

a - OZNACZENIE AKCESORIÓW



5

x 10
c

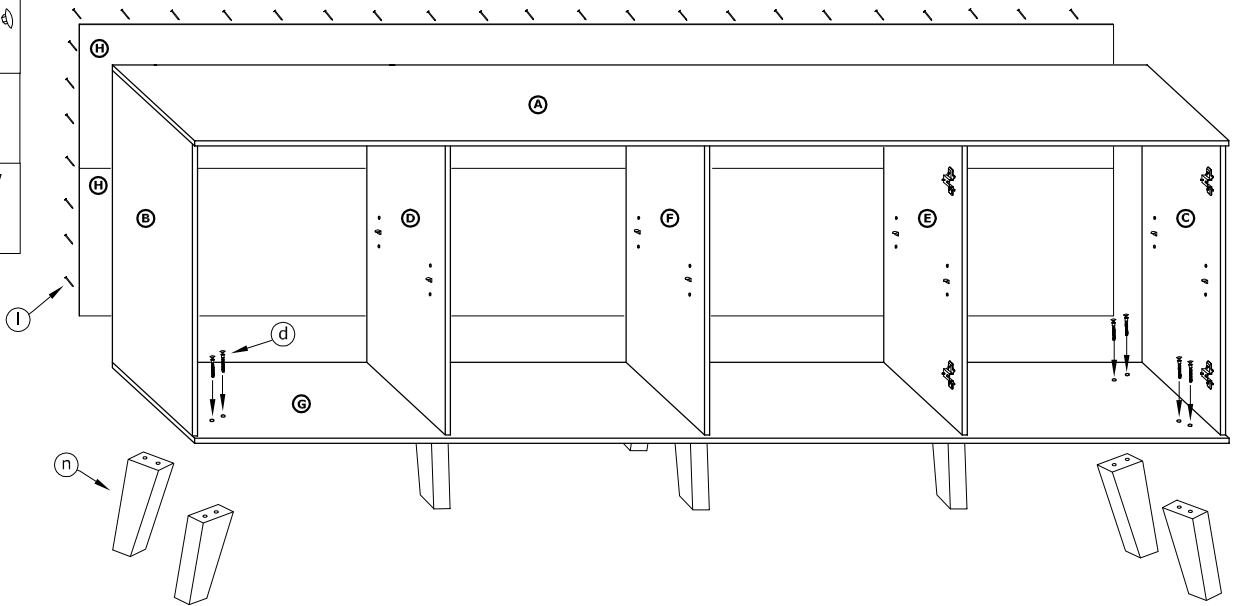


6

x 8
d

x 100
l

x 4
n



7

x 4
e

x 4
f

x 8
(3x16)
i

x 16
(3,5x16)
j

x 4
k

