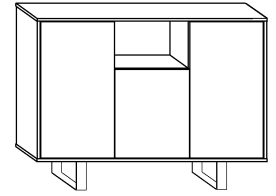




KIN-04

KOMODA DUŻA

→ 120 + 90 \ 36



| | | | | | | | |
|--------------|---------------|--------------|--------------|---------------------------|---------------|--|--------------|
| x 4 a | x 12 b | x 8 c | x 8 d | x 2 e | x 4 f | | |
| x 6 g | x 12 h | x 3 j | x 3 k | x 38 (3,5x16) l | x 60 m | | x 1 n |
| x 2 i | | | | o | p | | 40 min |

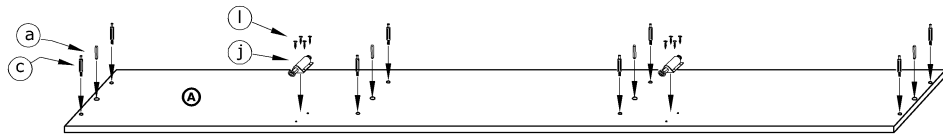
1 - FAZY MONTAŻU

A - OZNACZENIE ELEMENTÓW

a - OZNACZENIE AKCESORIÓW

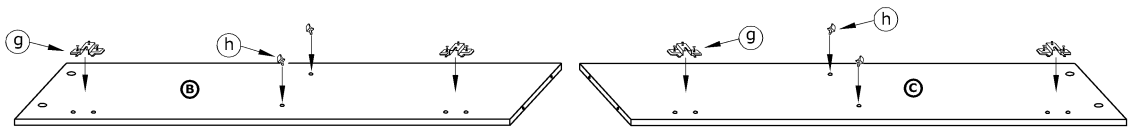
1

| | |
|--------------|--------------------------|
| x 4 a | x 8 c |
| x 2 j | x 8 (3,5x16) l |



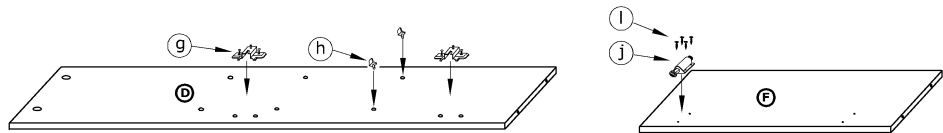
2

| |
|--------------|
| x 4 g |
| x 4 h |



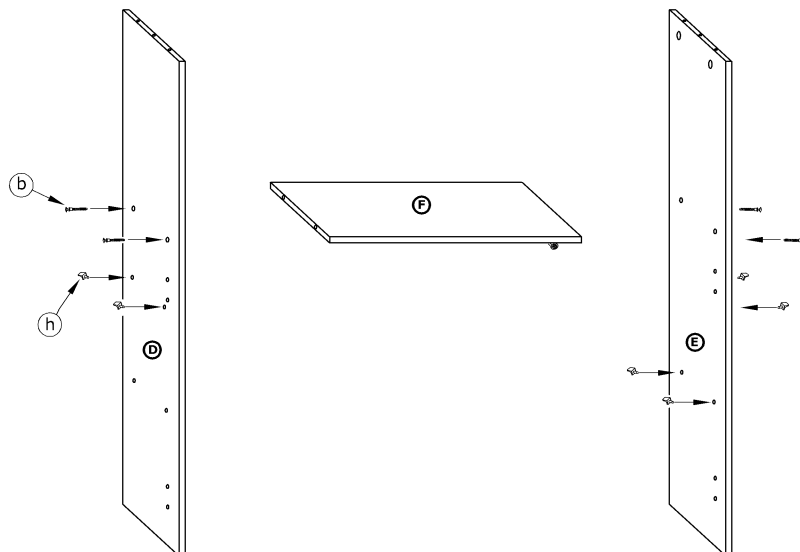
3

| | |
|--------------|--------------------------|
| x 2 g | x 2 h |
| x 1 j | x 4 (3,5x16) l |



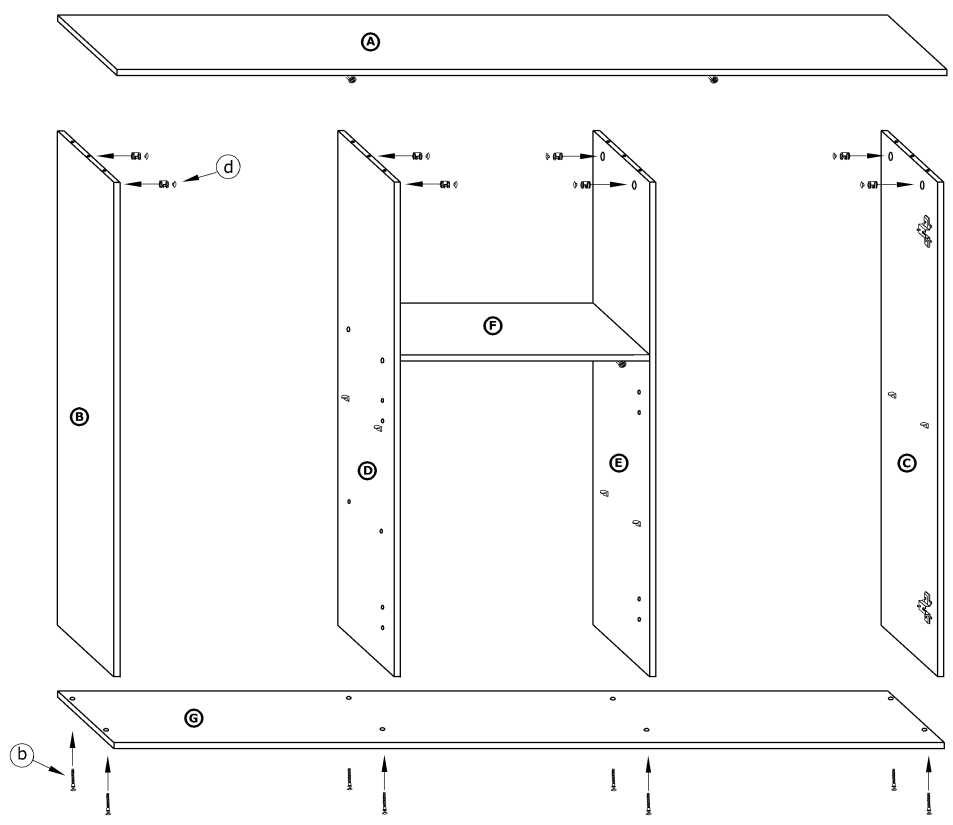
4

| |
|--------------|
| x 4 b |
| x 6 h |



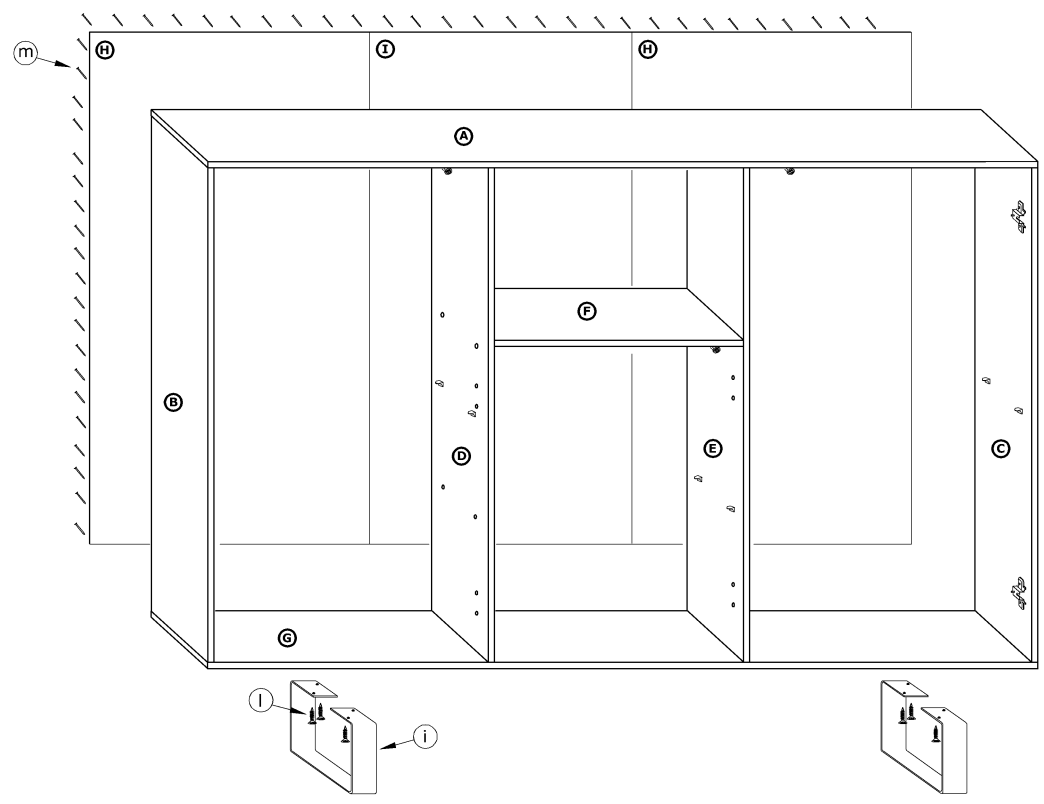
5

- x 8
- (b)
- x 8
- (d)



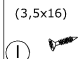


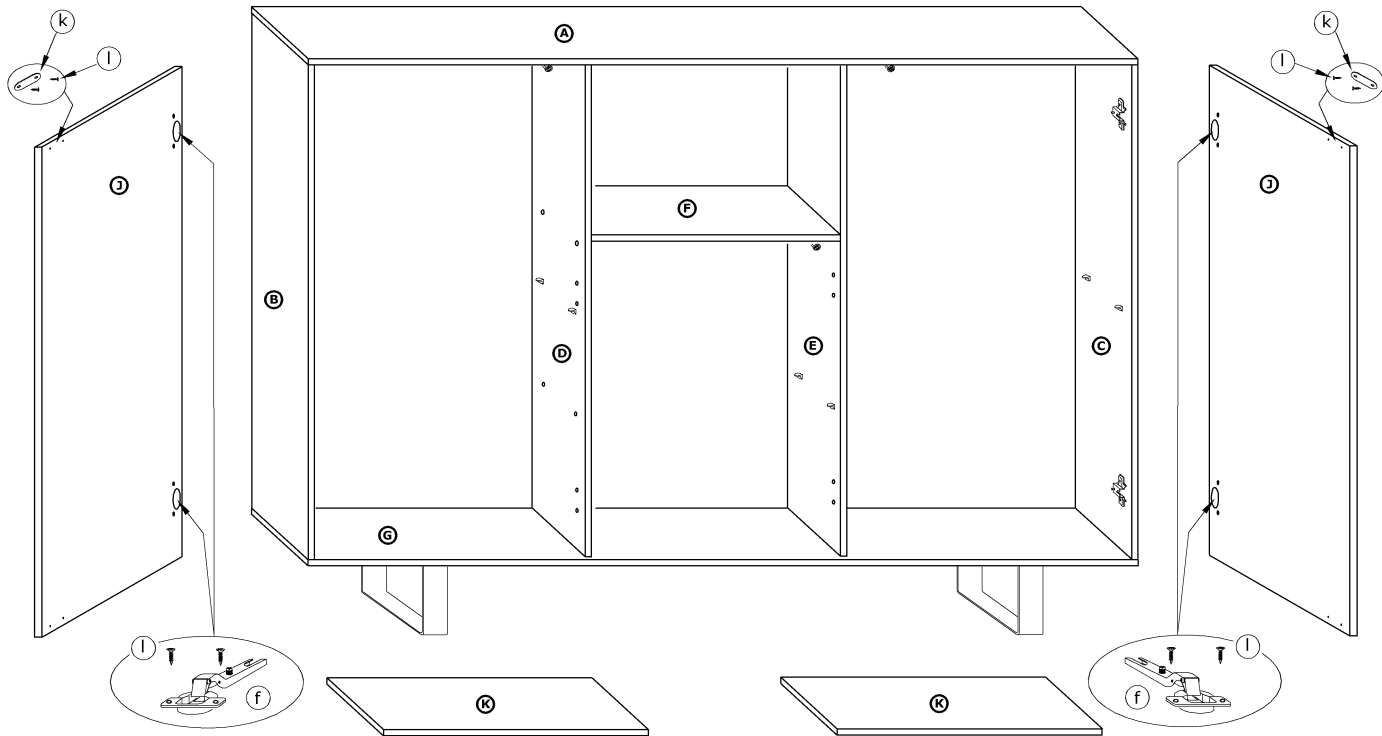
6

- x 2
- (i)
- x 8 (3,5x16)
- (l)
- x 60
- (m)


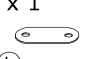
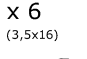


7

- x 4  (f)
- x 2  (k)
- x 12 (3,5x16)  (l)



8

- x 2  (e)
- x 1  (k)
- x 6 (3,5x16)  (l)

