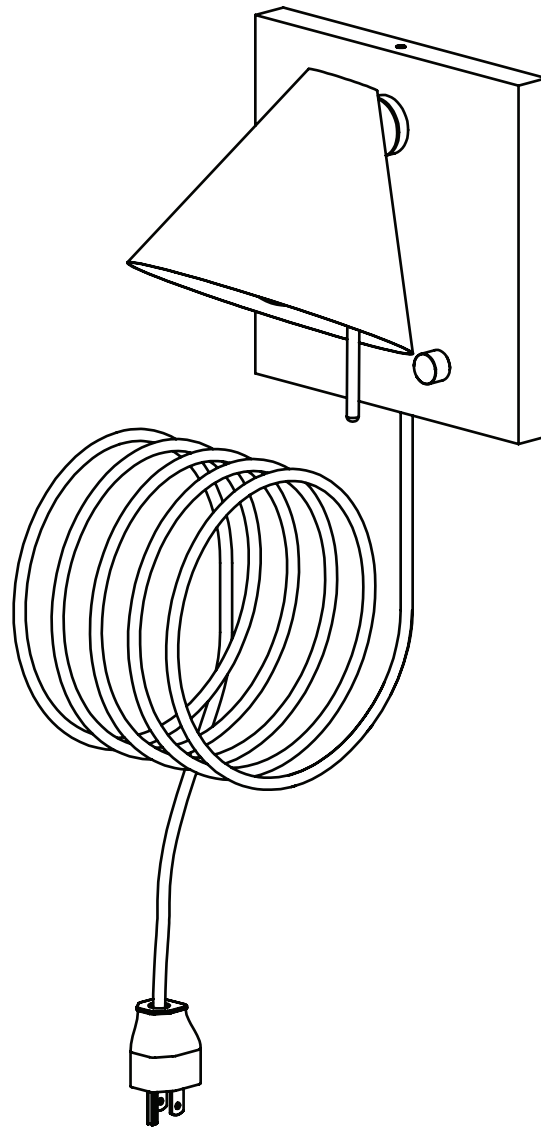


# Mega Sconce - Wall Plug

## *Installation Guide*

---

M . M



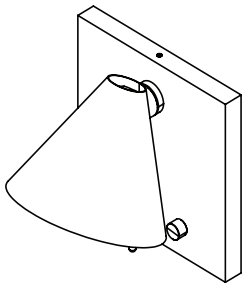
# Mega Sconce - Wall Plug

## *Installation Guide*

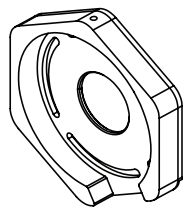
---

M . M

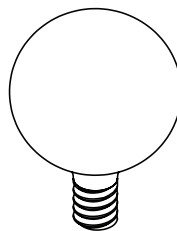
Included for installation:



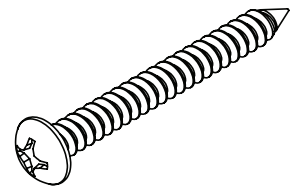
1 x Mega Sconce



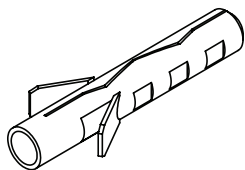
1 x Mounting Plate



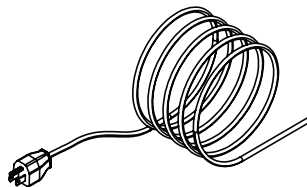
1 x 40W Light Bulb  
\*US orders only



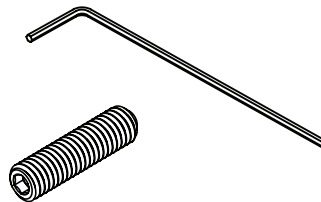
3 x #8 Philips Head Screws



3 x Wall Anchors



1 x Wall Plug



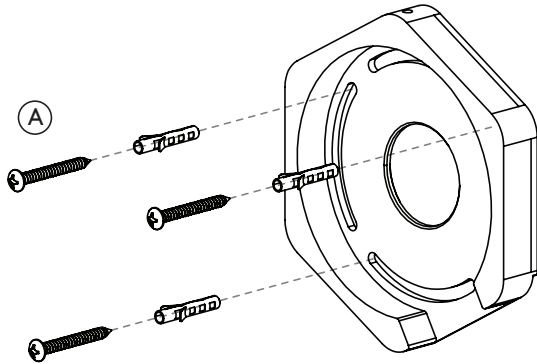
1 x Set Screw and Hex Key

# Mega Sconce - Wall Plug

## Installation Guide

M . M

Step 1 - 2



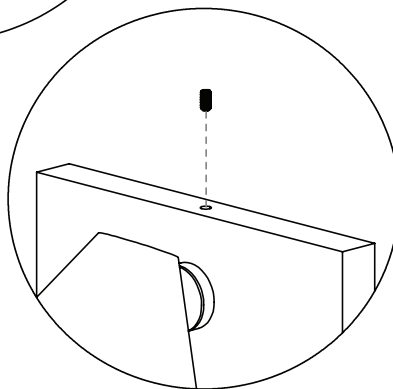
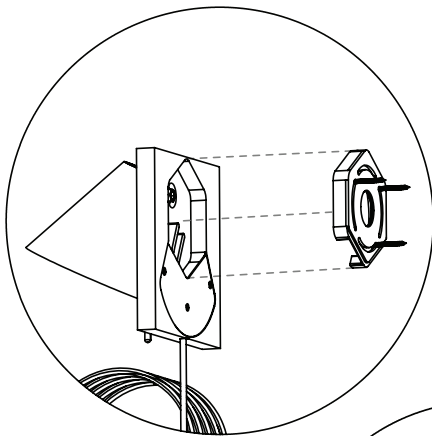
**DANGER: ELECTRIC SHOCK RISK**  
Turn off power before installing.

Matter Made recommends the installation of this fixture to be completed by a licensed electrician.

1. Remove fixture from packaging and lay on a protected surface.
2. Attach mounting plate to wall using #8 screws (A) making sure the set screw hole is facing up.

**NOTE:** Anchors are recommended and supplied, but be sure to use the right anchor for your wall type.

Step 3 - 5



3. Carefully place fixture over plate
4. Secure in place with the set screw and tighten with the provided hex key.
5. Plug in and enjoy!