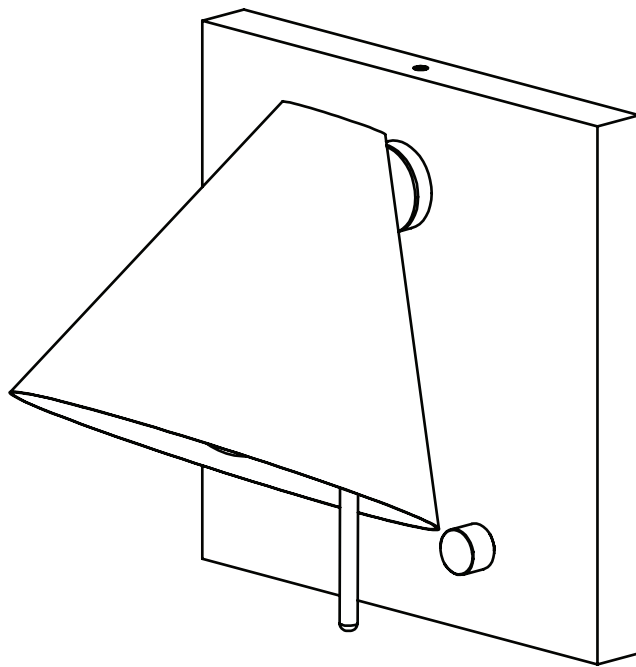


Mega Sconce - Hardwired

Installation Guide

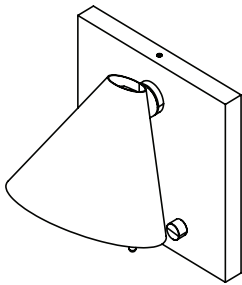
M . M



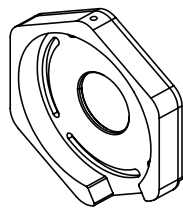
Mega Sconce - Hardwired *Installation Guide*

M . M

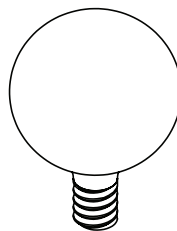
Included for installation:



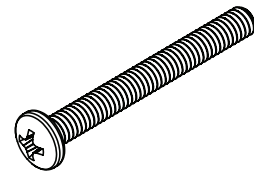
1 x Mega Sconce



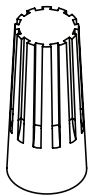
1 x Mounting Plate



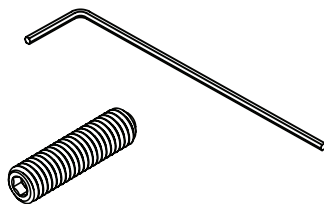
1 x 40W Light Bulb
*US orders only



2 x 8-32 Screws



2 x Wire Nuts

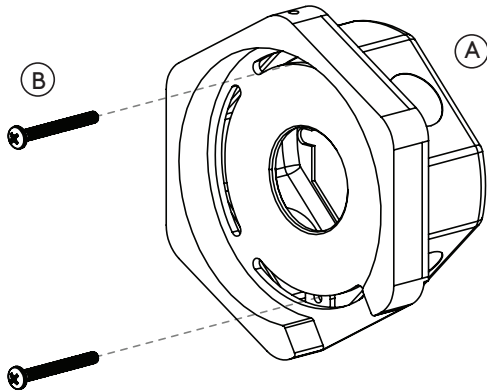


1 x Set Screw and Hex Key

Mega Sconce - Hardwired *Installation Guide*

M . M

Step 1 - 3



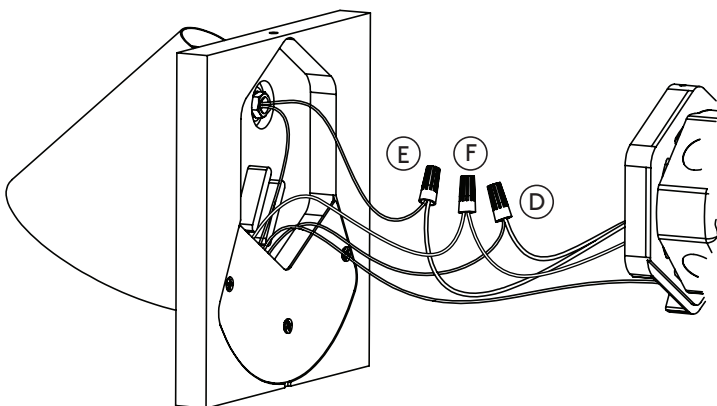
DANGER: ELECTRIC SHOCK RISK
Turn off power before installing.

Matter Made recommends the installation of this fixture to be completed by a licensed electrician.

1. Remove fixture from packaging and lay on a protected surface.
2. Attach the mounting plate to the junction box (A) using 8-32 screws (B).
3. Check that the set screw hole is facing up.

NOTE: The drawing is exploded for illustrating wiring and electrical connections.

Step 4



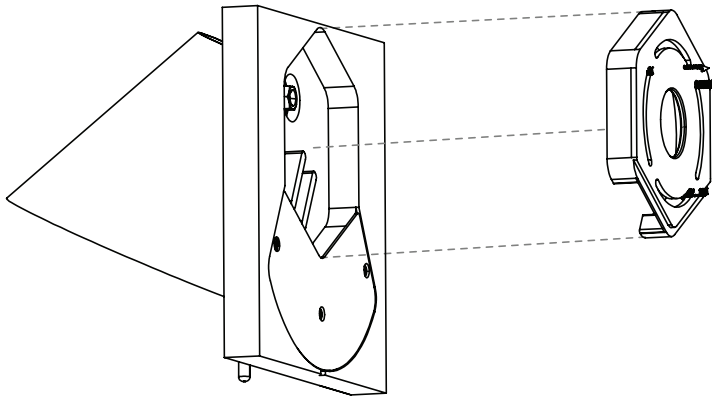
4. Connect the live wires (D) to the input wire leads (E) along with the ground cable (F) from the Mega Sconce with the provided wire nuts.

Mega Sconce - Hardwired

Installation Guide

M . M

Step 5 - 7



5. Tuck the connected wires into the junction box and place fixture over plate
6. Secure in place with the set screw and tighten with the provided hex key.
7. Enjoy!

