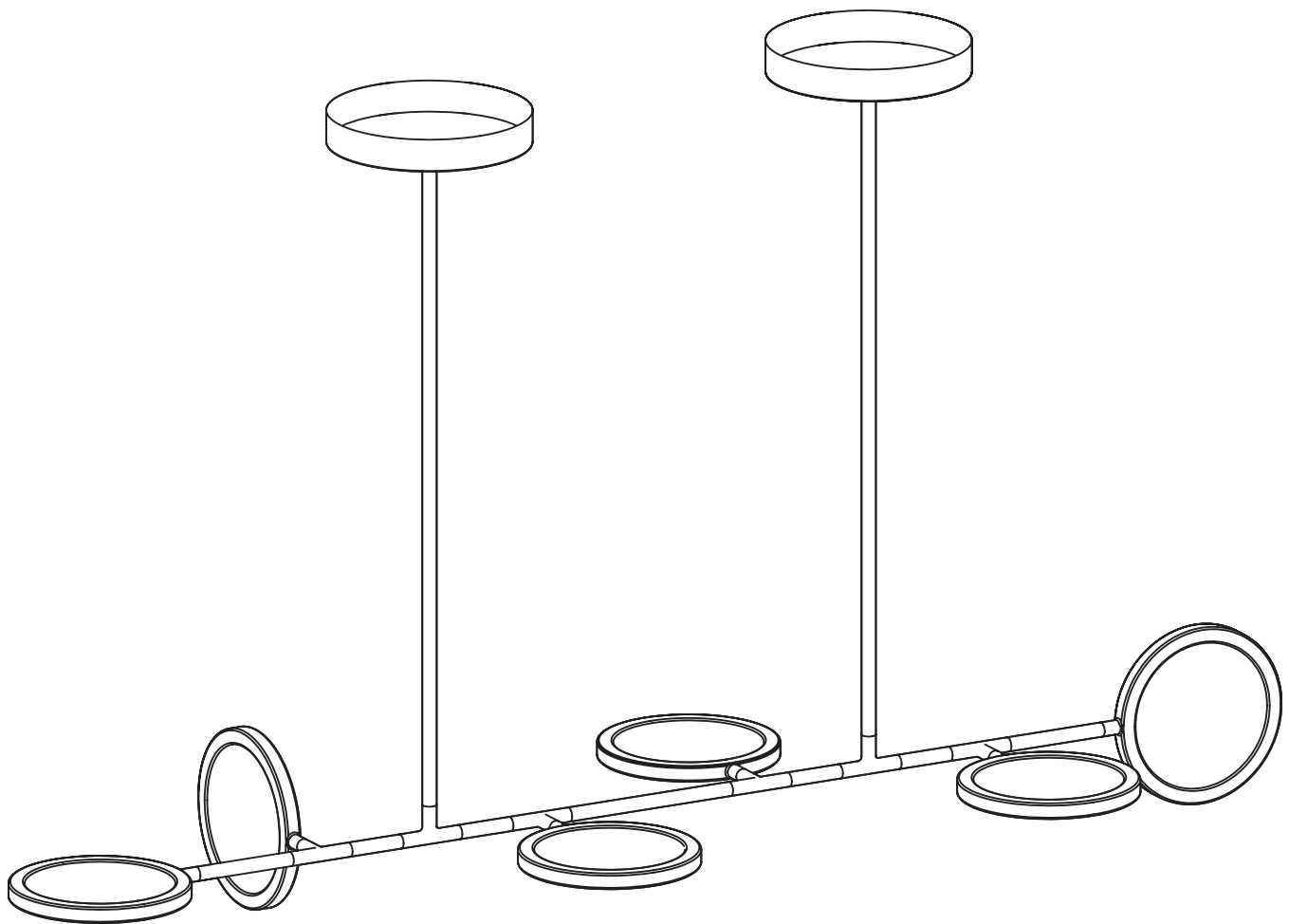


Discus Horizontal 6

Installation Guide

M . M

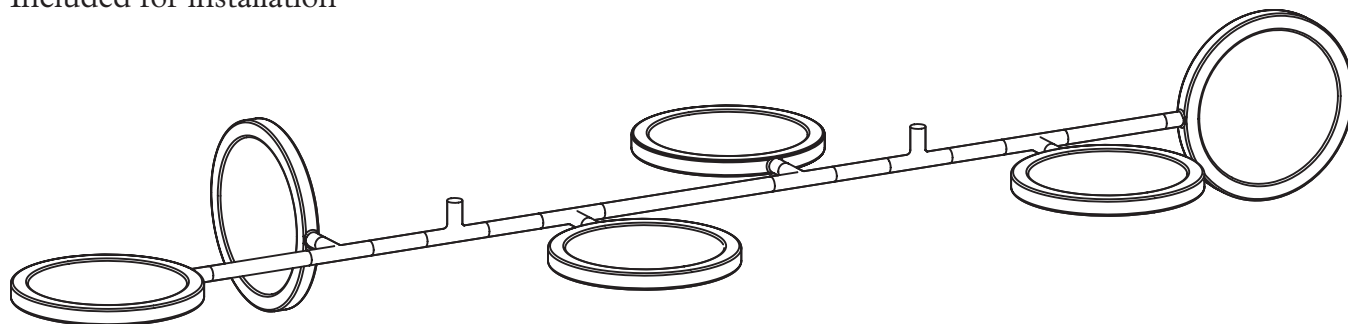


Discus Horizontal 6

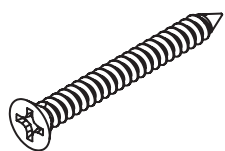
Installation Guide

M . M

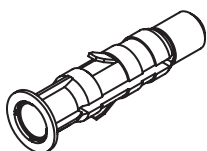
Included for installation



1 x Discus Horizontal 6



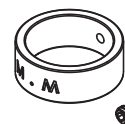
2 x No. 8 Screws



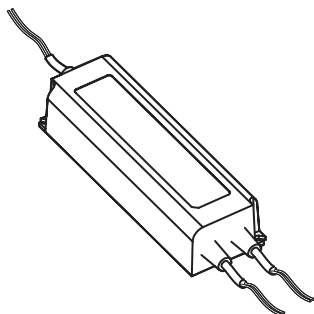
2 x Anchors



5 x Wire Nuts



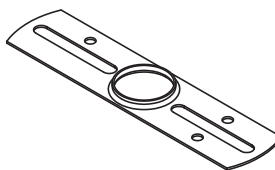
2 x Slip Ring & Screw



1 x LED Driver



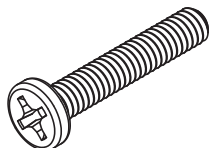
4x Nipple



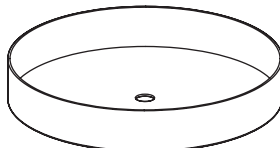
2 x Crossbar



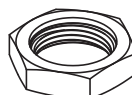
1 x Ground Wire



4x 8-32 Screws



2x Canopy



2x Threaded nut



1 x Hex wrench

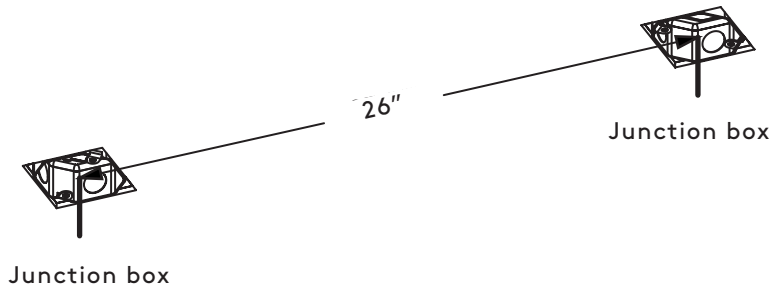
Discus Horizontal 6

Installation Guide

M . M

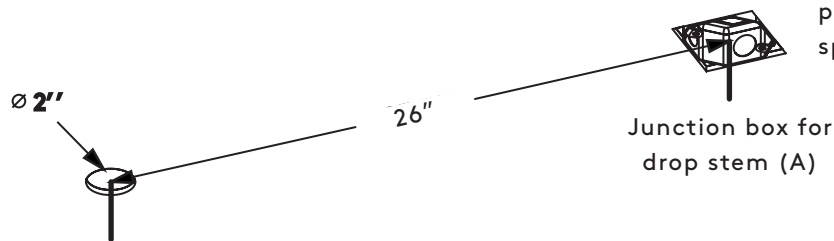
Installation Option 1

The Discus Horizontal 6 can be installed using two ceiling junction boxes located 26" from each center.



Installation Option 2

The Discus Horizontal 6 can be installed with a 2" hole drilled in the ceiling in place of one of the junction boxes, spaced 26" from each center.

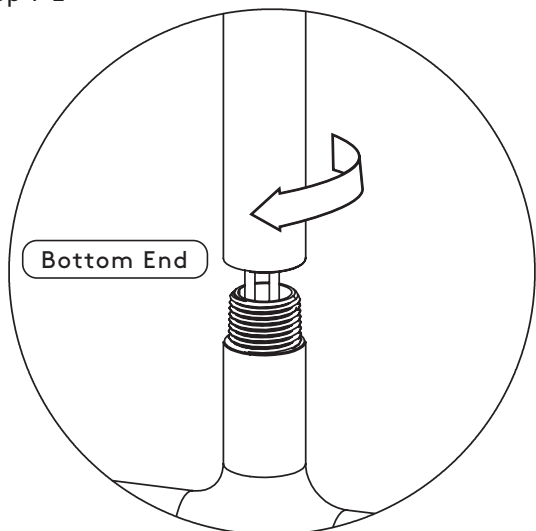


Discus Horizontal 6

Installation Guide

M . M

Step 1-2



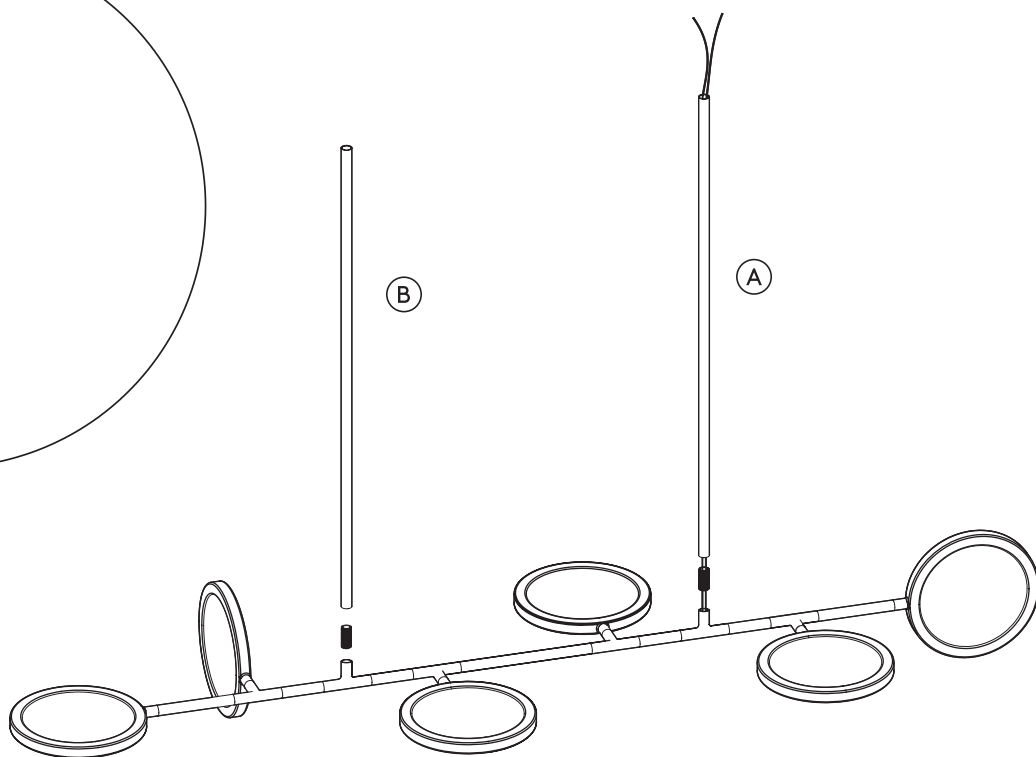
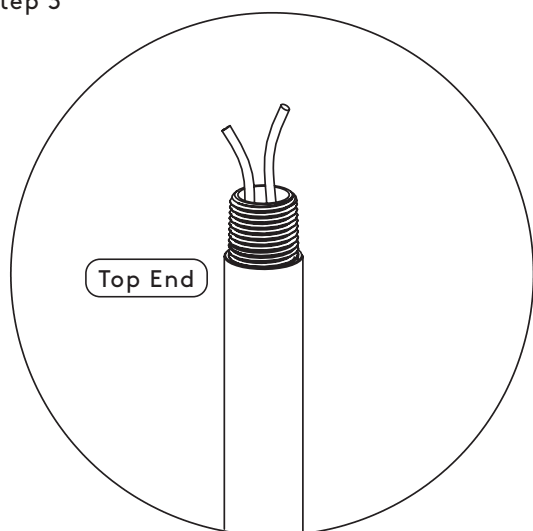
DANGER: ELECTRIC SHOCK RISK

Turn off power before installing.

Matter Made recommends the installation of this fixture to be completed by a licensed electrician.

1. Remove fixture from packaging and lay flat on a protected surface. Avoid twisting the fixture along the horizontal axis.
2. Screw the provided drop stems (A & B) onto the lower couplings of the fixture.
3. Feed wires through the top of one of the drop stems (A).

Step 3

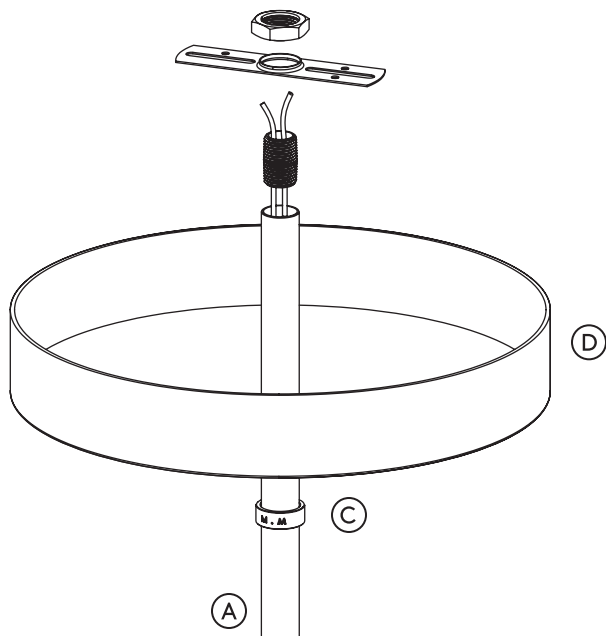


Discus Horizontal 6

Installation Guide

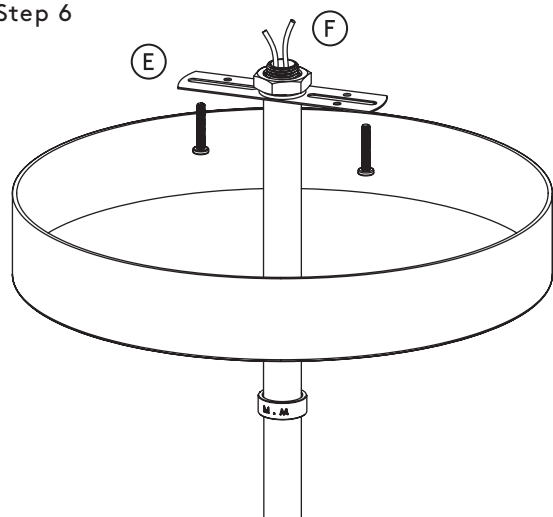
M . M

Step 4 - 5



4. Using the provided hex wrench, loosen the set screw on the slip rings (C) and slide the slip rings down the drop stems (A). Tighten the set screw approximately 12 inches from the top of the drop stem.
5. Slide the canopies (D) over the drop stems and rest the canopies on the slip rings.

Step 6



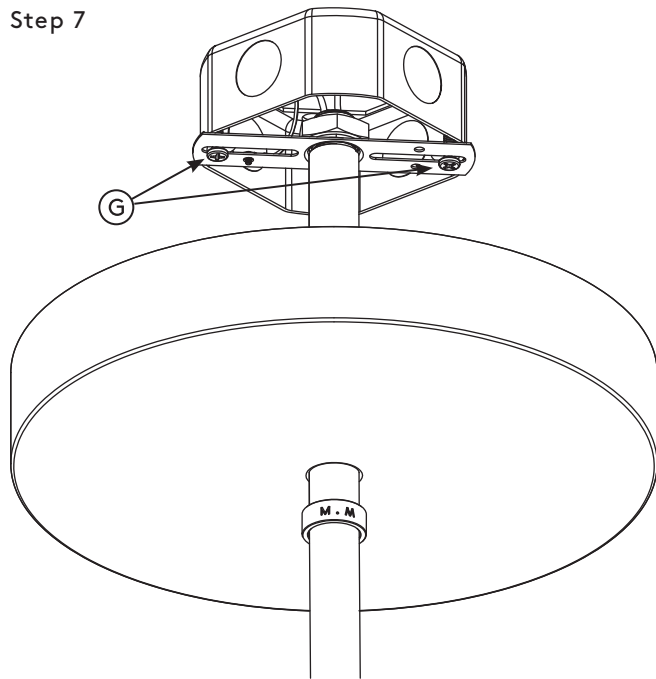
6. Attach the included cross bars (E) to the threaded nipples at the top end of the drop stems. Secure the crossbar with the provided hex nuts (F).
NOTE: The crossbar with the ground wire should be attached to the stem with the fixture wires.

Discus Horizontal 6

Installation Guide

M . M

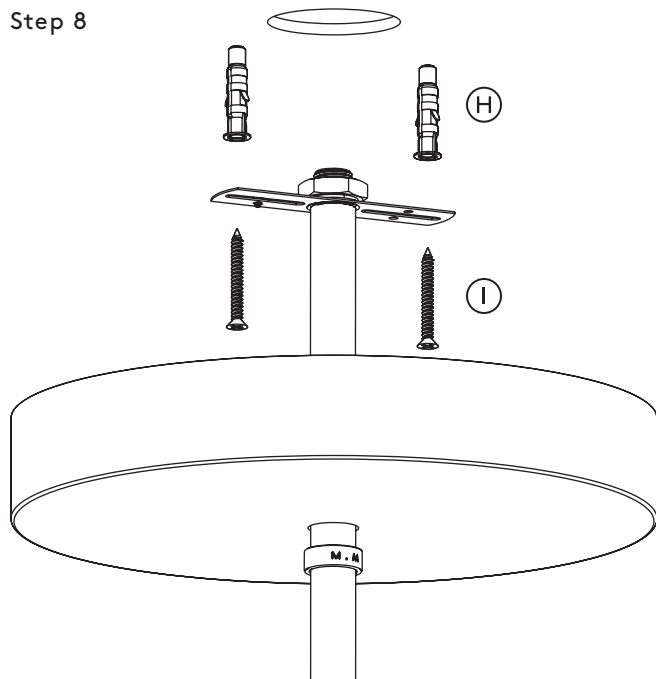
Step 7



7. Carefully lift the Discus fixture towards the ceiling. Avoid twisting the fixture along the horizontal axis. Insert the included 8-32 screws (G) through the slots in the crossbar and attach the screws to the threaded holes in the junction box.

If your installation uses two junction boxes, repeat this step for the remaining drop.

Step 8



8. If your installation uses a single junction box, proceed with this step. If your installation uses two junction boxes, skip this step.

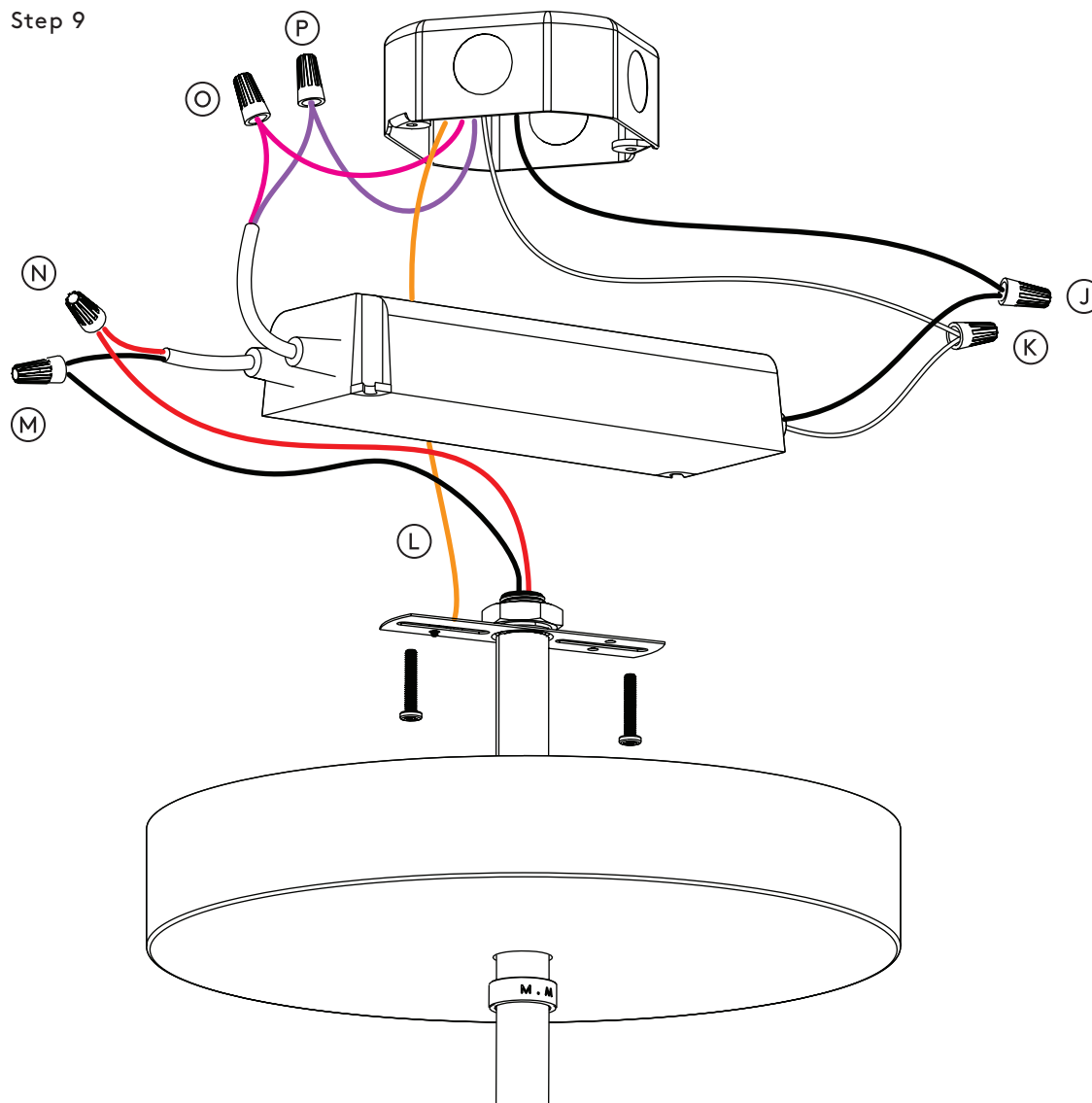
Drill two 1/4in diameter holes spaced 3.5in apart on either side of the 2in hole. Insert the included anchors (H) into the 1/4in holes. Insert the included #8 screws (I) through the crossbar slots and attach the crossbar to the anchors.

Discus Horizontal 6

Installation Guide

M . M

Step 9



9. **NOTE:** The drawing is exploded to illustrate wiring and electrical connections.

Wire colors on the driver may vary, please refer to driver label.

Wire colors may vary in your junction box, please consult an electrician to ensure proper wiring

Using the provided wire nuts:

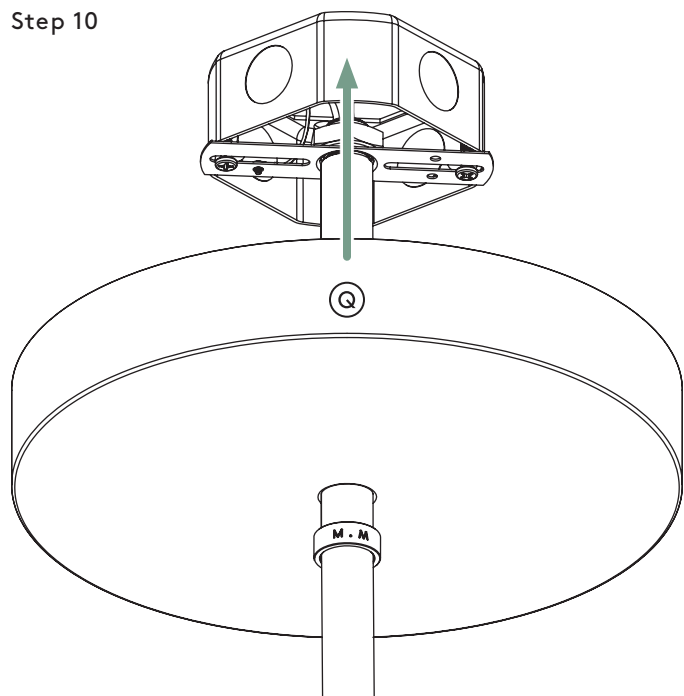
- connect the live wire from the junction box to the live wire of the driver (J).
- connect the neutral wire from the junction box to the neutral wire of the driver (K).
- connect the ground wire from the crossbar to the ground wire of the junction box (L)
- connect the black wire from the drop to the black wire (LED-) of the driver (M).
- connect the red wire from the drop to the red wire (LED+) of the driver (N).
- connect the (DIM-) wire of the driver to the corresponding wire attached to the dimmer (O).
- connect the (DIM+) wire of the driver to the corresponding wire attached to the dimmer (P).

Discus Horizontal 6

Installation Guide

M . M

Step 10



10. Tuck the connected wires and driver into the canopy (Q). Raise the canopy towards the ceiling. Loosen the slip ring (R) and slide it up the drop stem. Tighten the slip ring to secure the canopy in place.

Repeat step 10 for the remaining canopy.

Turn on the power to the fixture and test switch and dimming function. Installation is now complete.

Enjoy!

