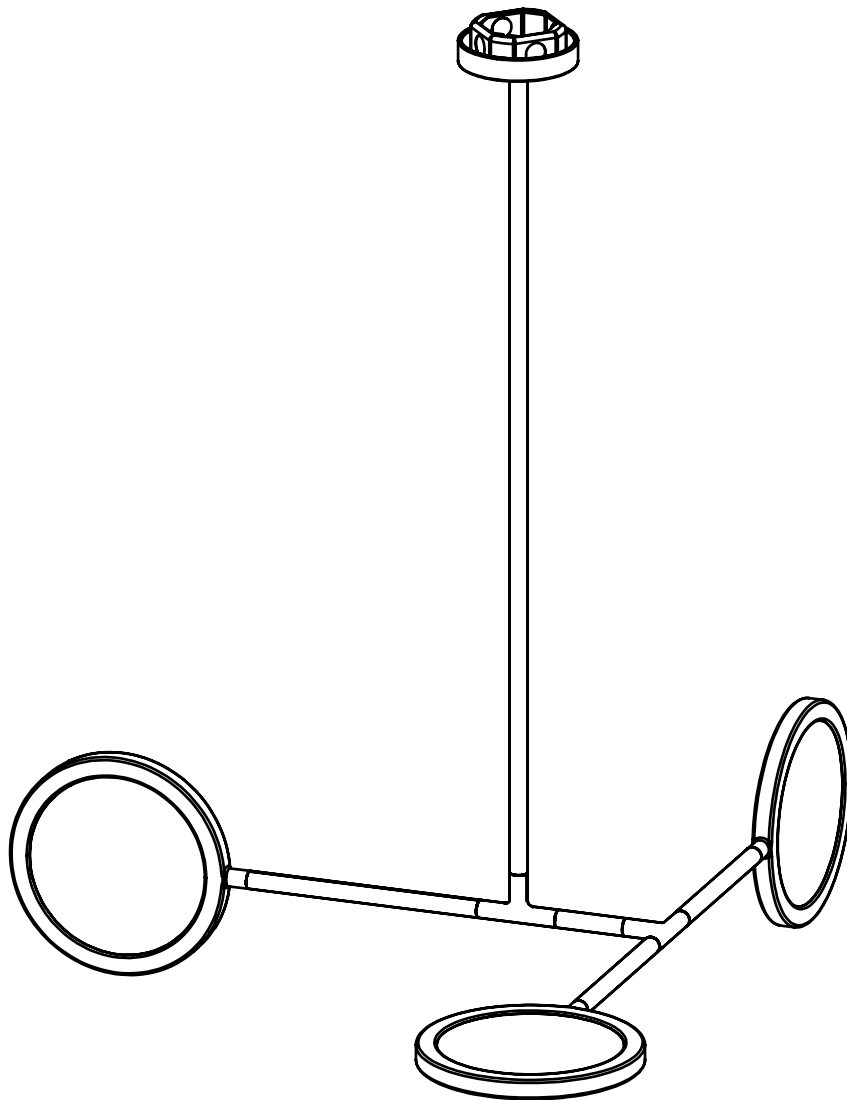


Discus 3

Installation Guide

M . M

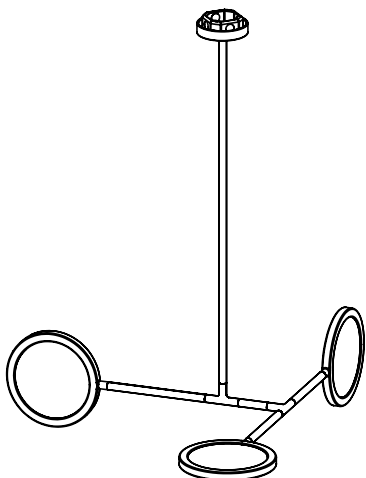


Discus 3

Installation Guide

M . M

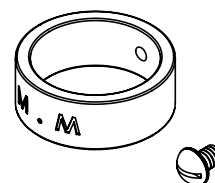
Included for installation:



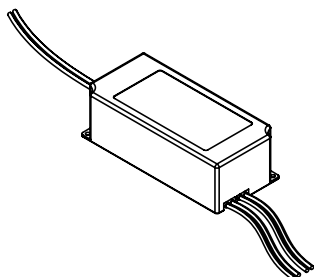
1 x Discus 3



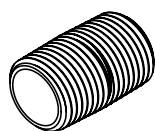
2 x Wire Nuts



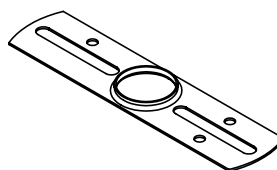
1 x Slip Ring & Screw



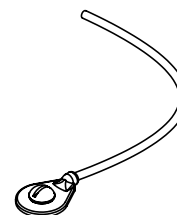
1 x LED driver



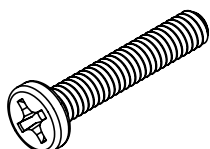
1 x 3-8 Nipple



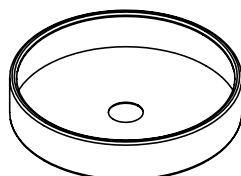
1 x Crossbar



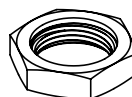
1 x Ground Wire



2 x 8-32 screws



1 x Canopy



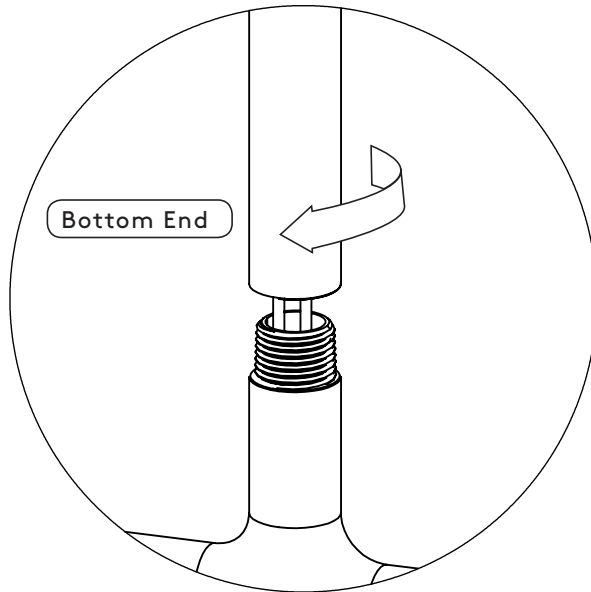
1 x 3-8 Threaded Nut

Discus 3

Installation Guide

M . M

Step 1 - 2

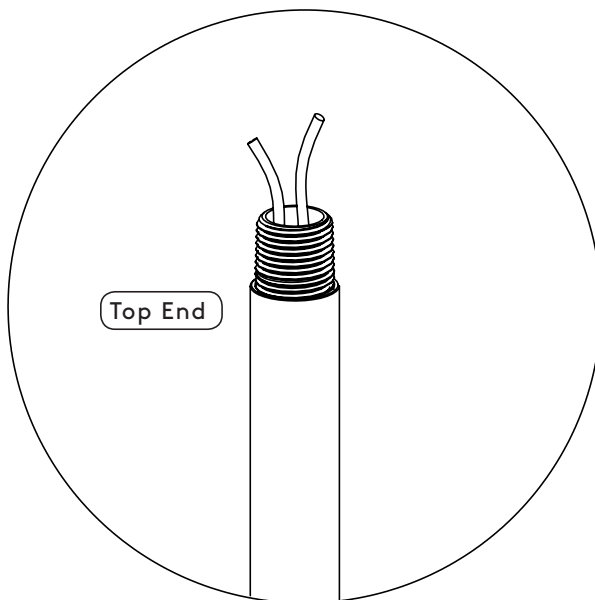


DANGER: ELECTRIC SHOCK RISK
Turn off power before installing.

Matter Made recommends the installation of this fixture to be completed by a licensed electrician.

1. Remove fixture from packaging and lay flat on a protected surface.
2. Screw drop stem into coupling.
3. Feed the wires exiting through the top of the drop stem.

Step 3

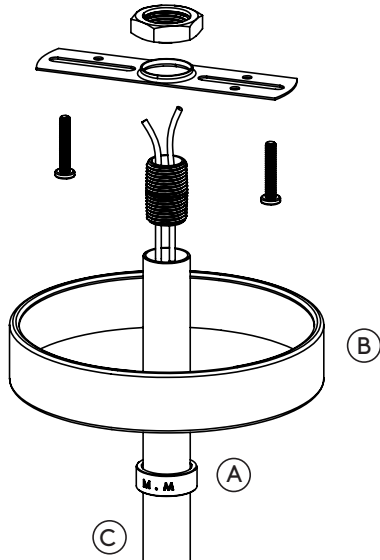


Discus 3

Installation Guide

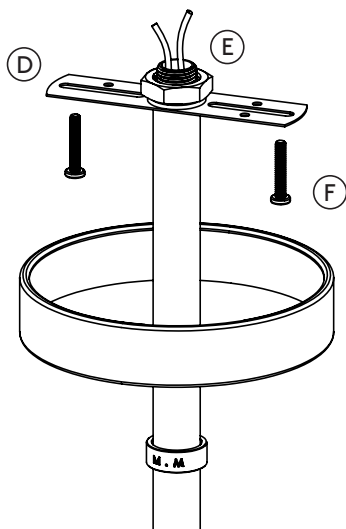
M . M

Step 4 - 5



4. Loosen the slip ring (A) and lower canopy (B) gently down the drop stem (C).
5. Tighten the slip ring to hold the canopy up while accessing the cross bar.

Step 6 - 7



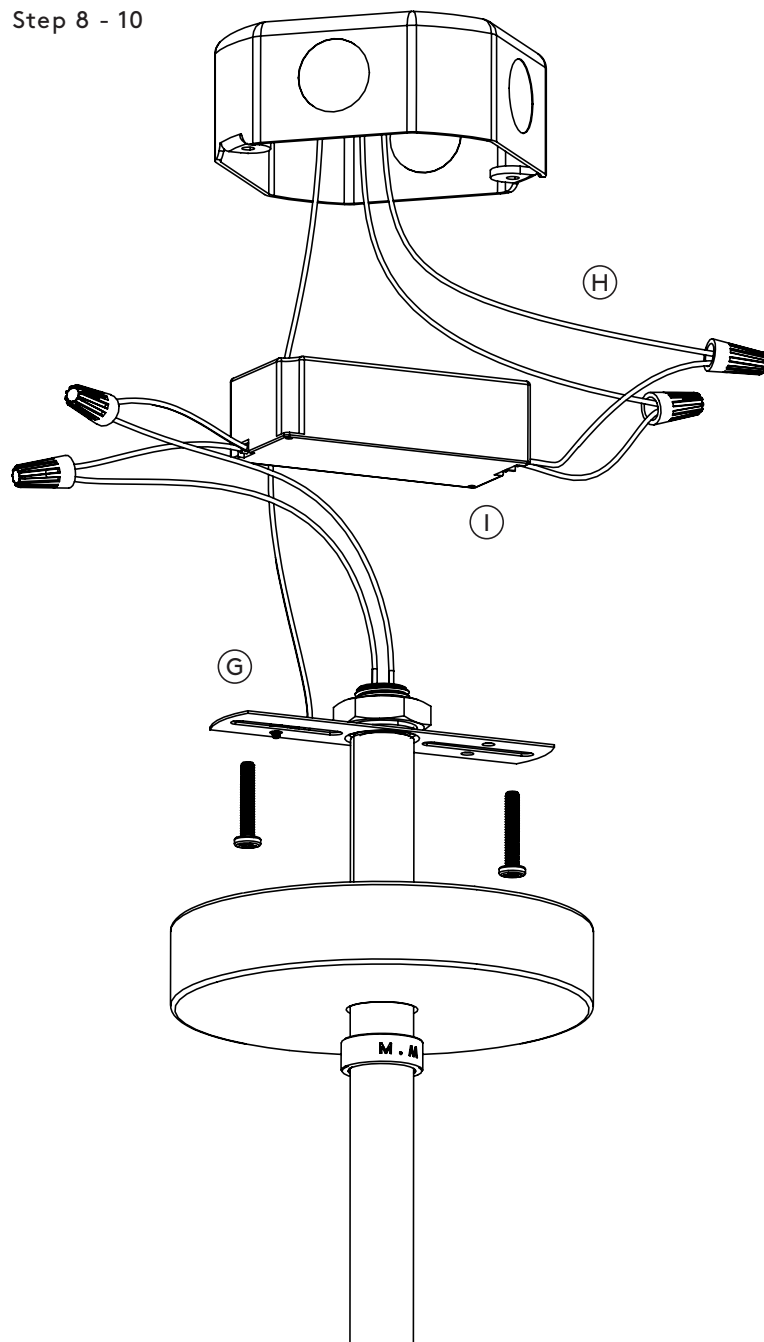
6. Attach the cross bar (D) to the threaded nipple with the nut (E).
7. Attach the Discus to the junction box in the ceiling by passing the two 8-32 screws (F) provided through the holes in the cross bar and into the threaded holes in the junction box.

Discus 3

Installation Guide

M . M

Step 8 - 10



NOTE: The drawing is exploded for illustrating wiring and electrical connections.

8. Attach the green ground wire to the crossbar with ground screw (G).
9. Connect the live wires (H) from the Discus to the 24V LED Driver (I) that is provided with your order.
10. The LED driver needs to be connected to the main power, allowing an adjusted current to power the LEDs. Never connect your fixture directly to power without a driver.

Discus 3

Installation Guide

M . M

Step 11 -12

11. Once the crossbar is secure, tuck the connected wires into the Junction box (J) and raise the canopy (K) and the slip ring (L) up the drop stem (M). Make sure the canopy is flush to the ceiling and tighten the slip ring.

12. Enjoy!

