



# TR300

## Demarcation / Railing

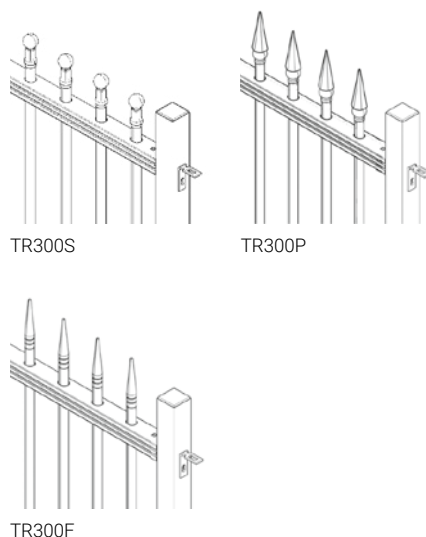
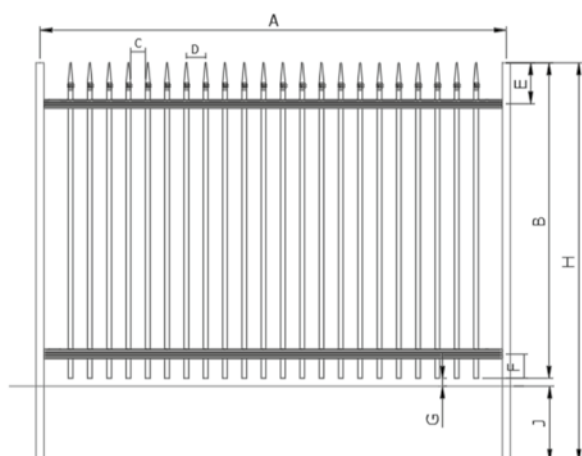
Heras Tangorail is a self-raking railing system with flexible panels that follow ground contours, providing optimum site safety and security.

Available with panel heights ranging from 1.0m up to 2.4m, the versatile TR300 system features the option of ball, point and fullered heads topping each bar to provide a visually elegant yet physically secure solution for your site. The ball topping is for heights up to 1.5 m and the point and fullered designs are for heights of 1.8 m and above.

The non-welded design allows for fast, uncomplicated installation, the TR300 comprises a hollow tube vertical bar system with top and bottom cross members, affixed between SHS posts.

- **Self-raking - no stepped panels and fewer posts**
- **Eco-friendly - no welding and low zinc content**
- **Fast installation and manufacturing**
- **Range of options for bar toppings: ball, point and fullered**

## Drawings



## Technical specifications (dimensions in mm)

Type	Bar top options	Post centre-to-centre (A)	Panel height (B)	C	D	E	F	G	Post height (H)	Dig in depth (J)
TR300 100	Ball	2890	950	100	125	150	75	50	1500	500
TR300 120	Ball	2890	1150	100	125	150	75	50	1750	550
TR300 150	Ball	2890	1450	100	125	150	75	50	2000	500
TR300 180	Point, fullered	2890	1750	100	125	225	150	50	2400	600
TR300 200	Point, fullered	2890	1950	100	125	225	150	50	2600	600
TR300 210	Point, fullered	2890	2050	100	125	225	100	50	2800	700
TR300 240	Point, fullered	2890	2350	100	125	225	100	50	3100	700

<b>Material</b>	Steel
<b>Colors</b>	RAL 6005 (moss green) RAL 9005 (jet black) Multicolor (optional)
<b>Finish</b>	Pre-galvanized and coated
<b>Vertical bar diameter</b>	25 mm
<b>Vertical bar centre-to-centre</b>	125 mm
<b>Top and bottom rail dimensions</b>	55 x 52 mm
<b>Post type (profile)</b>	SHS (60 x 60 mm)
<b>Verts per panel</b>	22

## Certificates

- Powder coating according to EN 13438 : 2005
- Steel used at grade DX51, galvanized to Z275
- Sheet steel hot dip coated as per EN 10346

## Ordering information

Contact your local Heras office for precise ordering details.

## Suggested accessories / products

- Quantum self-closing gate
- Pedestrian gate (single and double)
- Vehicle access swing gate

Secured by Design



Police Preferred Specification