

80W LED Highbay

Model Number:

BL-HB03-80W-277-XX

Performance Summary

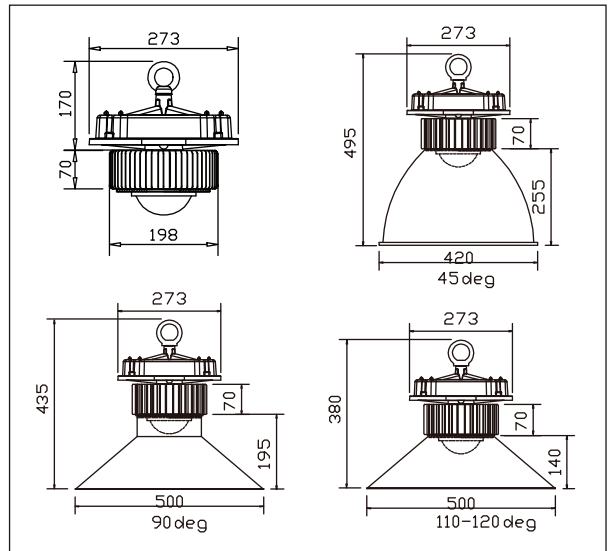
- ⊙ Power Consumption: 80W equivalent to 200W HID
- ⊙ Samsung LED up to 100 lumens/W
- ⊙ Mean Well Driver with efficiency of 90%
- ⊙ Reflector Option: 45°/90°/120°
- ⊙ Color Temperature: 3000K, 4000K, 5000K, 6000K
- ⊙ Certificate: UL/cUL, CE
- ⊙ 5 Years Warranty

Application

Workshop, High way checking station, Square, Warehouse, Advertisement board, Parking lot.

Features

- ⊙ Input voltage range: 100~240/277V ac
- ⊙ Constant current power supply with efficiency of 90%, and long life and high accuracy. Mean well Driver.
- ⊙ Thermal conductivity copper heat sinks
- ⊙ Insulation rate: Class 1
- ⊙ International EMC passed
- ⊙ Directives executed: IEC 60598, IEC 61000-3-2:2005, IEC 61347, UL 8750
- ⊙ 5 Years Warranty



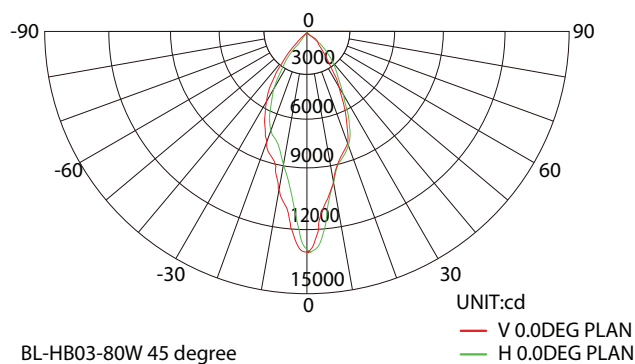
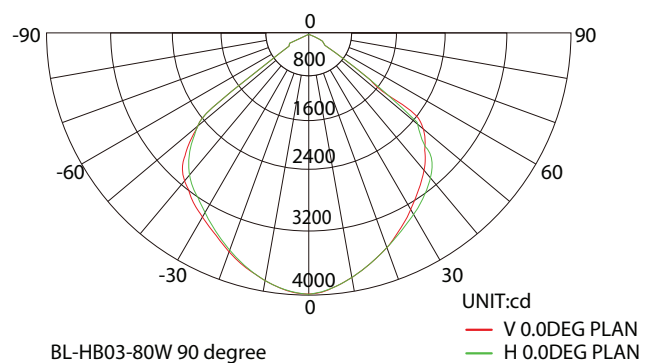
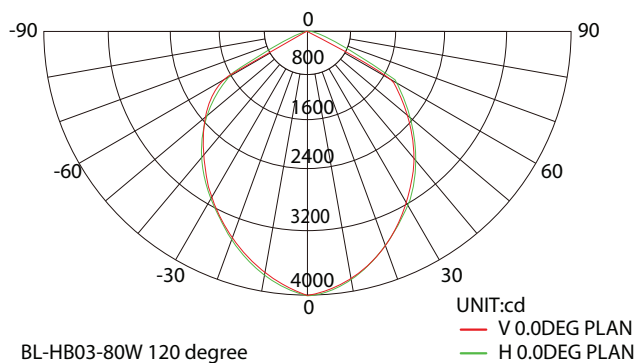
Lamps Specification

| | | | |
|-------------------------|-------------------------------|---------------------------------|--|
| Input Voltage Range | 100~240/277V ac | Color Temperature | Detail information refer to above LED parameters table |
| Frequency Range | 47Hz~63Hz | Color Rendering Index | >75 Ra |
| Inrush Current | 30A@ 220Vac Input; Cold start | Beam angle | 45°/90°/120° |
| Power Factor | 0.95 | LED Junction Temperature @35 °C | 75 °C |
| LED Type | Samsung LA351A/B 33pcs | Working Temperature | -20 °C ~ +55 °C |
| LED Consumption | 73 W | Working Life-span 70% | 50000 H |
| Lamp Consumption | 82W | Cable | VDE H05RN-F 3G0.75mm OR UL SJTW 3G16 AWG |
| LED Luminous Efficiency | 100 lm/W | Driver | Meanwell CEN-100 |
| LED Initial Flux | 7200 lm | | |

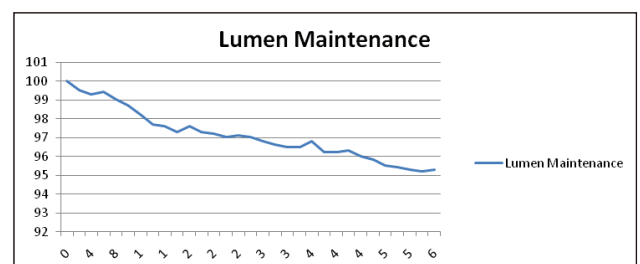
LED parameters

| Item | Test condition | Min | Type | Max | Unit | |
|-------------------------|----------------|-------|------|------|--------|---|
| Power | | | | 10 | W | |
| Rated Current | - | - | 2 | 3 | A | |
| Forward Voltage | IF=2A | 3 | 3.2 | 3.4 | V | |
| Color temperature | Warm white | IF=2A | 2700 | 3200 | 3900 | K |
| | Pure White | IF=2A | 4800 | 5000 | 5200 | K |
| | Cool White | IF=2A | 6000 | 6200 | 6500 | K |
| LED heat resistance | | - | 2 | - | 2 | |
| Junction Temp | IF=2A | - | 75 | 150 | °C | |
| luminous Efficiency @2A | IF=2A | 80 | 100 | 120 | (lm/W) | |

Distribution curve

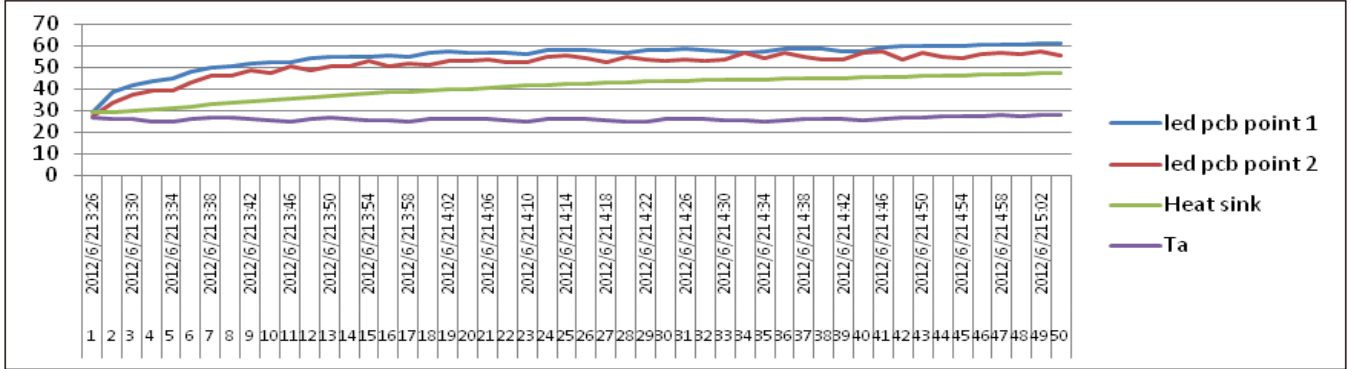


Lumen Maintenance(6,000H)



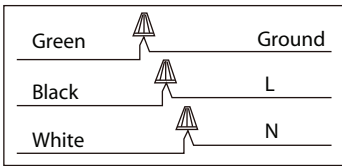


Temperature (°C)



Warning

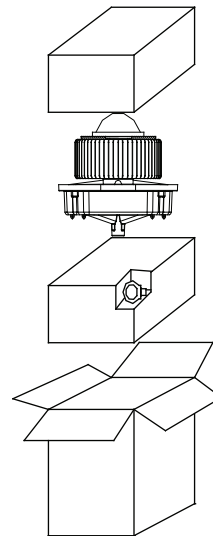
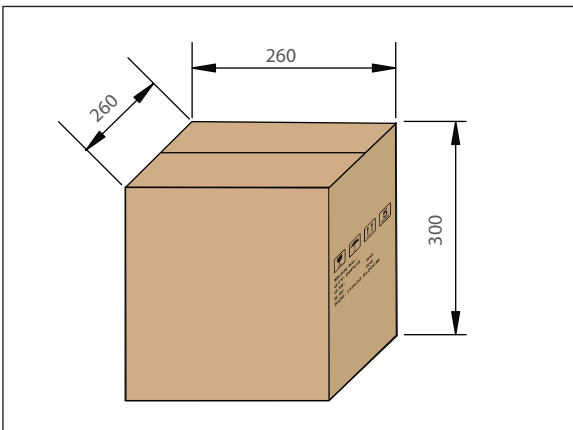
- 1) ambience temperature is recommended in the range of between -25°C and +40°C (-13°F to 104°F)
- 2) the lamp MUST be installed vertically to ensure the illumination surface facing downward, the lamp MUST be installed in a matter of good heat dissipation condition.
- 3) NOT available for underwater installation
- 4) the lamp is ONLY installed and wired by professional personnel, the lamp MUST be grounded, refer to the following diagram for wiring:



any violation of the above might result in lamp breakage or lifespan shortage or personnel damage, please contact lamp vendor while any violation happened.

Packaging

| Carton Size (mm) | G.W/Carton | Quantity |
|------------------|------------|----------|
| 260x260x300 | 6 KG | 1 |



LM79
LM80

