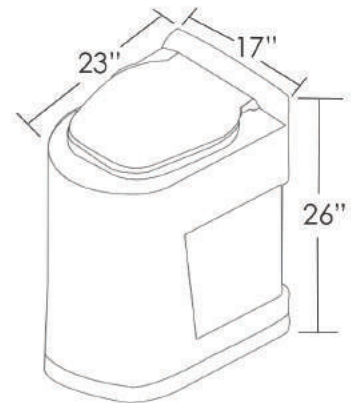


## FEATURES

- Waterless incinerating toilet, no need for septic systems or compost
- 12V DC or 120V / 240V AC
- Operates in cold and hot climates
- Operates completely off grid
- Gas fired toilet
- Easy to install, maintain and use
- Can be installed in fixed or mobile applications
- Light weight and can be easily transported

## DIMENSIONS



Seated Height: 22"  
Weight: 80 lbs

## MODELS

- TinyJohn-P12
- TinyJohn-P120
- TinyJohn-P240

## CAPACITY

- Daily usage: 3 people or 15 Times

## HOW IT WORKS

Lift the toilet lid and do your business. Then close the lid after usage



Press the Start button. The waste will drop into the burn chamber and the burner starts igniting.



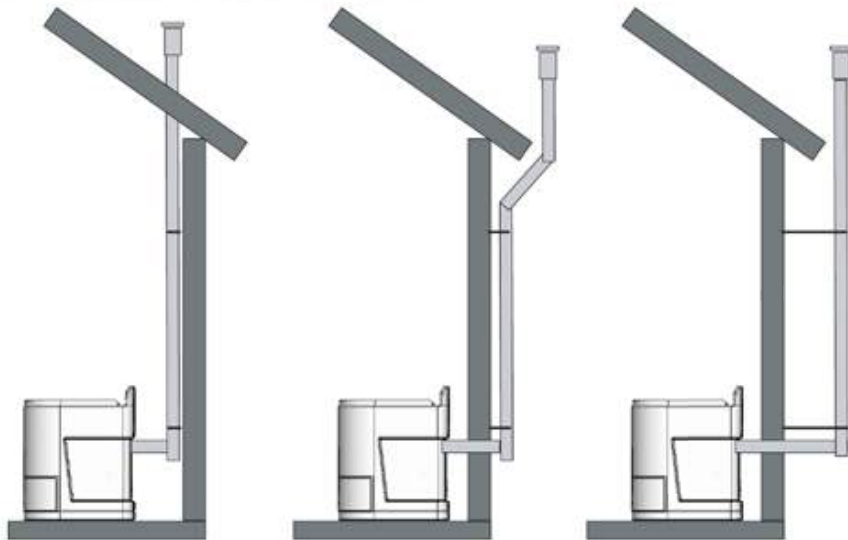
Next user lift the toilet lid, the burner shuts off and it can be used immediately.

# TinyJohn™

## TECHNICAL DATA

|                         |                                      |
|-------------------------|--------------------------------------|
| Maximum Amp             | 3 Amp / 12V DC                       |
| Electrical Consumption  | 1.5 Amp/hr(12VDC) 18 Watt/hr(120VAC) |
| Vent Size               | 3" Single Wall                       |
| Propane Gas Consumption | 0.14 lbs (Urine) / 0.35 lbs (Waste)  |
| Length                  | 23"                                  |
| Width                   | 17"                                  |
| Height                  | 26"                                  |
| Weight                  | 80 lbs                               |
| Operating Voltage       | 12V DC or 120V / 240V AC             |
| Material                | Polypropylene Plastic                |
| Temperature             | Operation: -40 to 120 F              |
| Capacity                | 3 People Full Time                   |

## Installation



- Completely self-contained. No need to install any separate tanks (except fuel)
- Must be installed inside a weather proof building/structure \*3" single wall vent system is required
- A separate vent kit can be purchased
- 1 ft clearance is recommended front of the toilet in order to open the tray clean out port
- Should not be installed or operated in an area where there is a risk of an accumulation of flammable vapors or dust



6148 Getty Dr. North Little Rock, AR 72117  
Phone: 1866.ECOJOHN 714.568.1077 Fax: 714.568.1068

www.ECOJOHN.com  
info@ECOJOHN.com

## CLEANING AND MAINTENANCE

Periodically, the collection tray needs to be emptied of sterile ash. Cleaning of ashes can be done from the front of the toilet; simply slide out the tray and empty the ashes.

Check the gas once a month to make sure you have enough gas to operate.

## BOWL LINERS

For best results, use Original Bowl Liners with your TinyJohn incineration toilet. Carefully designed for proper fit into the bowl, original bowl liners will help your incineration toilet last longer, run smoother and stay cleaner.

## SAFETY

The TinyJohn leaving the ECOJOHN factory goes through several meticulous testing procedures to monitor quality control and ensure a top-quality design and product.