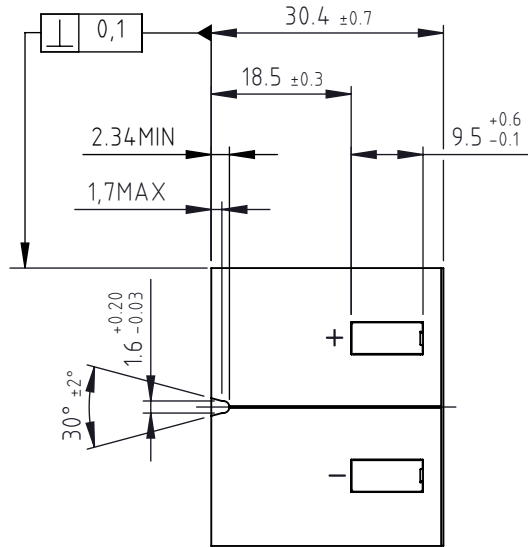
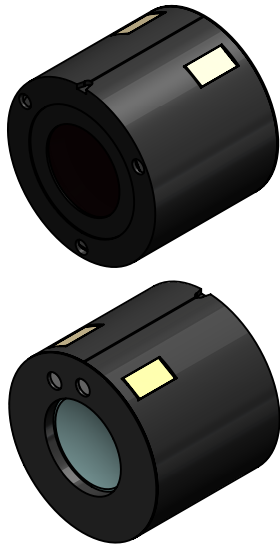


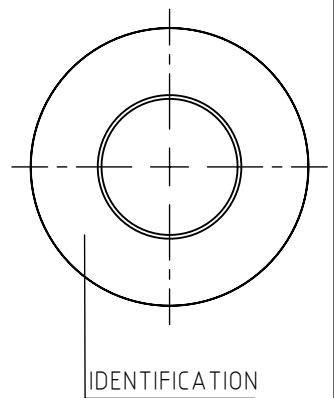
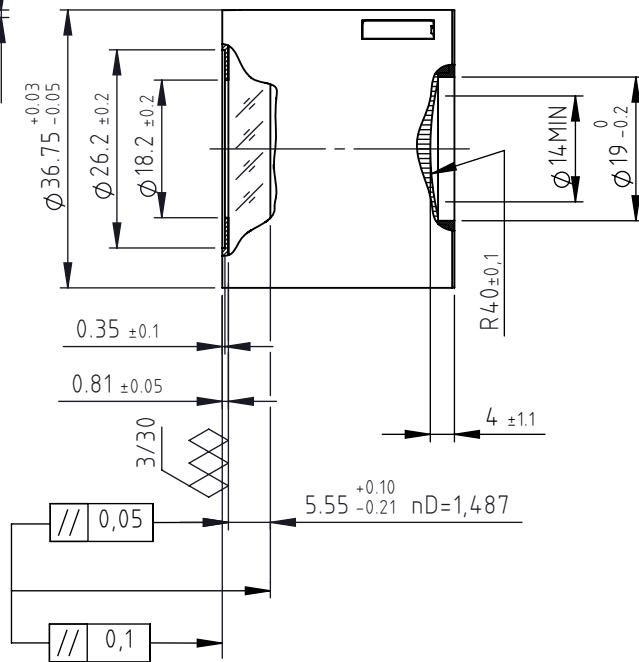
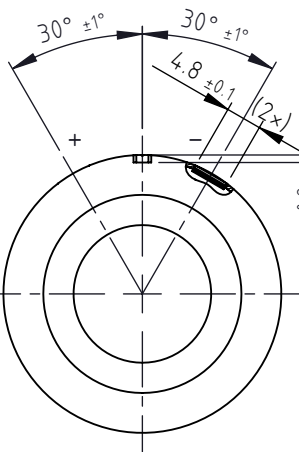
Property of the PHOTONIS
 Reproduction, or disclosure to third parties, in any form whatsoever
 not allowed without written consent of the proprietors.

	new	cancelled		new	cancelled



NOTE 1: GOLDPLATED CONTACTS MOUNTED FLUSH TO, OR 0,13mm BELOW, SURFACE OF THE HOUSING.
 2: + TERMINAL = +2,7V DC
 - TERMINAL = -(GROUND)

VK



Eigendom van PHOTONIS
 Vermengvuldigen of mededeling aan derden, in welke vorm ook
 is zonder schriftelijke toestemming van eigenares niet geoorloofd.

PHOTONIS ISO 9001 Certified	ISO 128	screw thread ISO 965	finish ISO 1302	material:	drawn: JM	A0	5-1-17
	A4	geometr. tolerances ISO 1101	tolerances: ±0.2 & ±1° unless otherwise stated	dimensions: mm	last rev.:		
					scale: 1:1		
IMAGE INTENSIFIER, 18mm, IF, SA, R40, UCD 14mm					sheet 1 OF 1		
					183-1477A0		TV