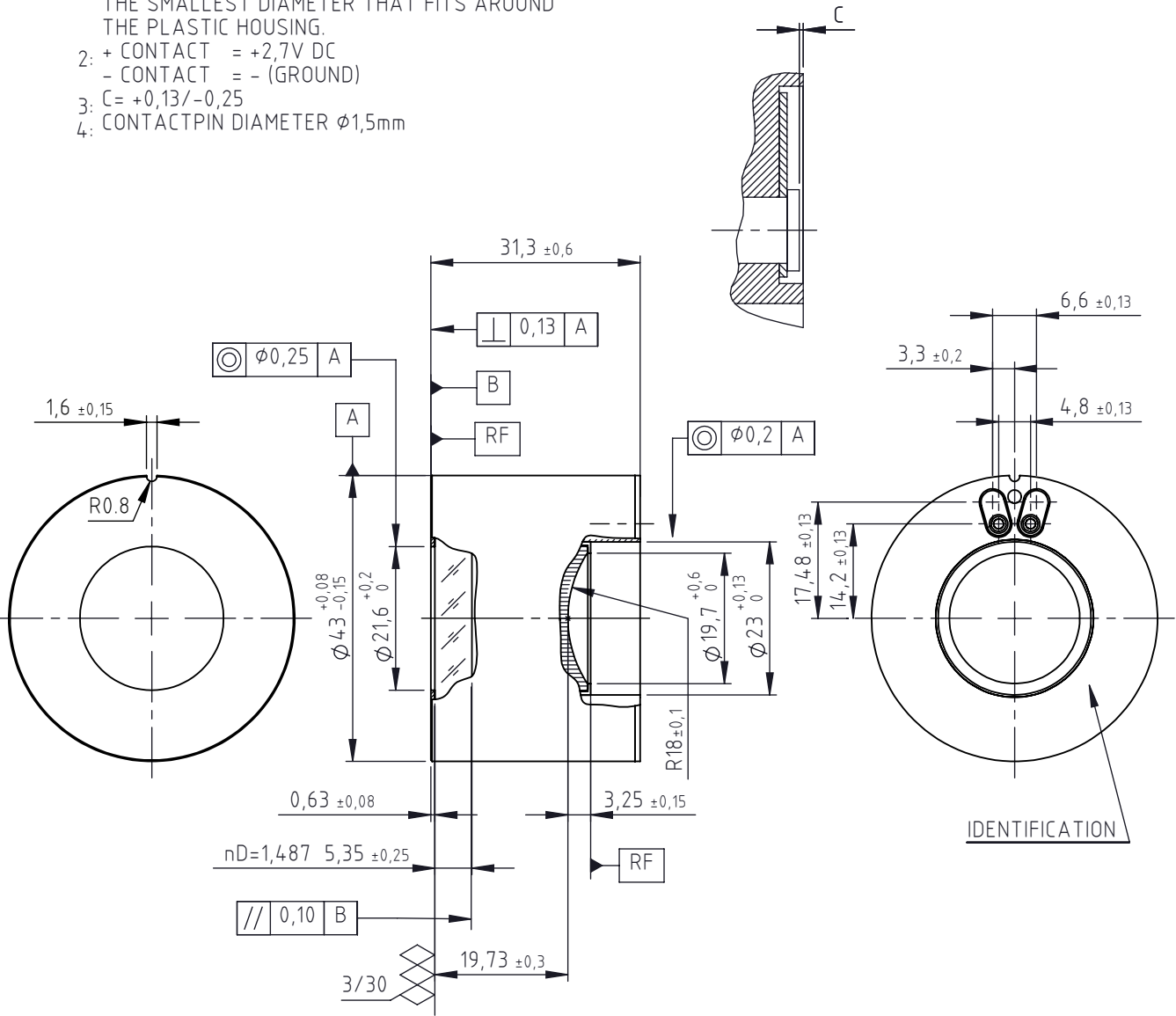


	new	cancelled		new	cancelled
A1	5.35±0.25 / R0.8 / 1.6±0.15	5.35±0.35			

- NOTE 1: REFERENCE CIRCLE [A] IS THE CYLINDER WITH THE SMALLEST DIAMETER THAT FITS AROUND THE PLASTIC HOUSING.
- 2: + CONTACT = +2,7V DC
- CONTACT = - (GROUND)
- 3: C = +0,13/-0,25
- 4: CONTACTPIN DIAMETER ϕ 1,5mm

VK



	ISO 128		screw thread ISO 965	finish ISO 1302	material:	drawn: JK	A0	28-2-07	
	A4	glass ISO 10110	geometr. tolerances ISO 1101	dimensions: mm	scale: 1:1		A1	9-5-11	
IMAGE INTENSIFIER XX1450,XX1950,XX2050,XX2550							sheet 1 of 1	183-1059A1	
									TV