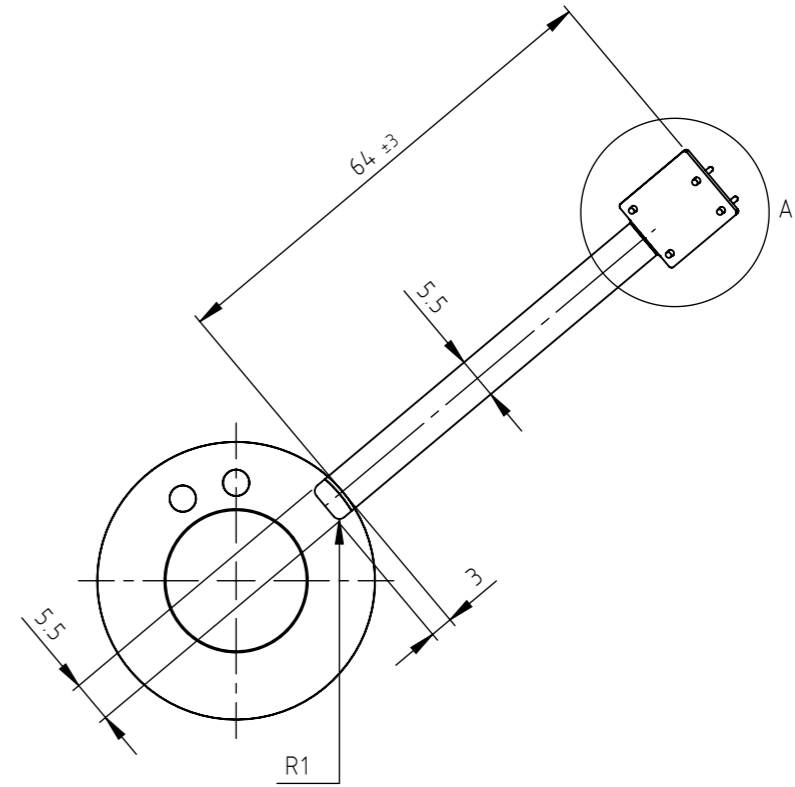
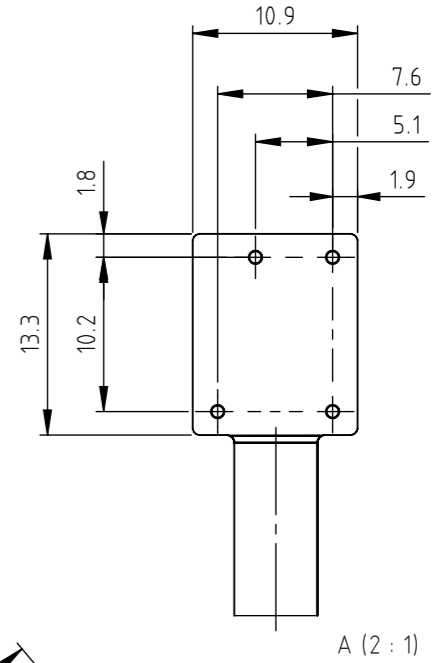


	new	cancelled		new	cancelled
A1	30.7±0.6	30.4±0.7			
A5	WIRE WITH SLEEVE	WIRE			
A6	FLEX CABLE	WIRE WITH SLEEVE			

NOTE 1: GOLDPLATED CONTACTS
 MOUNTED FLUSH TO, OR
 0.13mm BELOW SURFACE OF HOUSING.
 2: + TERMINAL = +2.7V DC
 - TERMINAL = -(GROUND)



PHOTONIS ISO 9001 Certified	ISO 128	screw thread ISO 965	finish ISO 1302	material:	drawn: JKL	A1	4-6-07
	A3	glass ISO 10110	geometr. tolerances ISO 1101	tolerances: ±0.2 & ±1° unless otherwise stated	dimensions mm	last rev.: JM	A2
IMAGE INTENSIFIER 18mm, TW, SA, R40, EGAC R (PVS14)					scale: 1:1	A3	16-11-11
					sheet 1 OF 1	A4	6-11-12
					sheet 1 OF 1	A5	19-9-16
						A6	2-3-17
						183-0973A6 TV	