

6

5

4

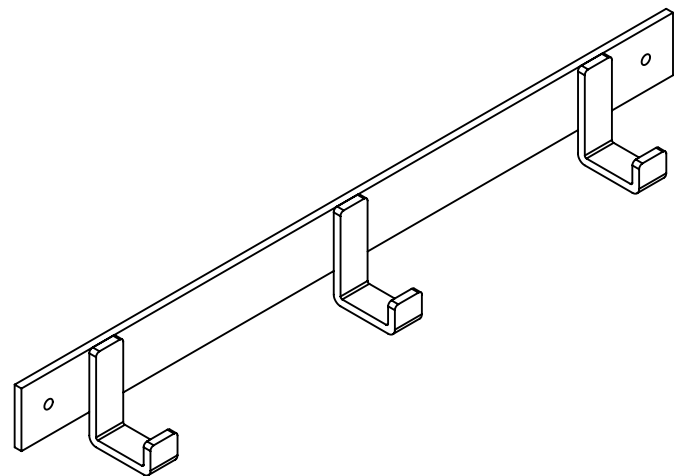
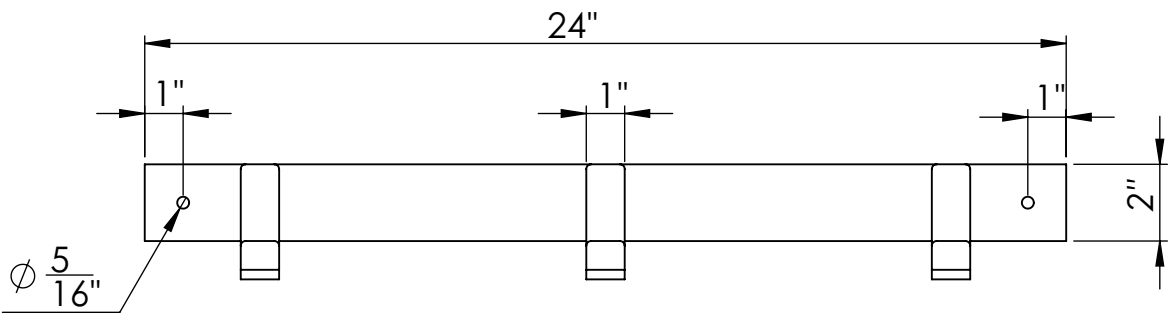
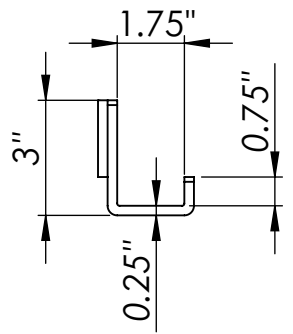
3

2

1

D

D



C

C

B

B

A

A

6

5

4

3

2

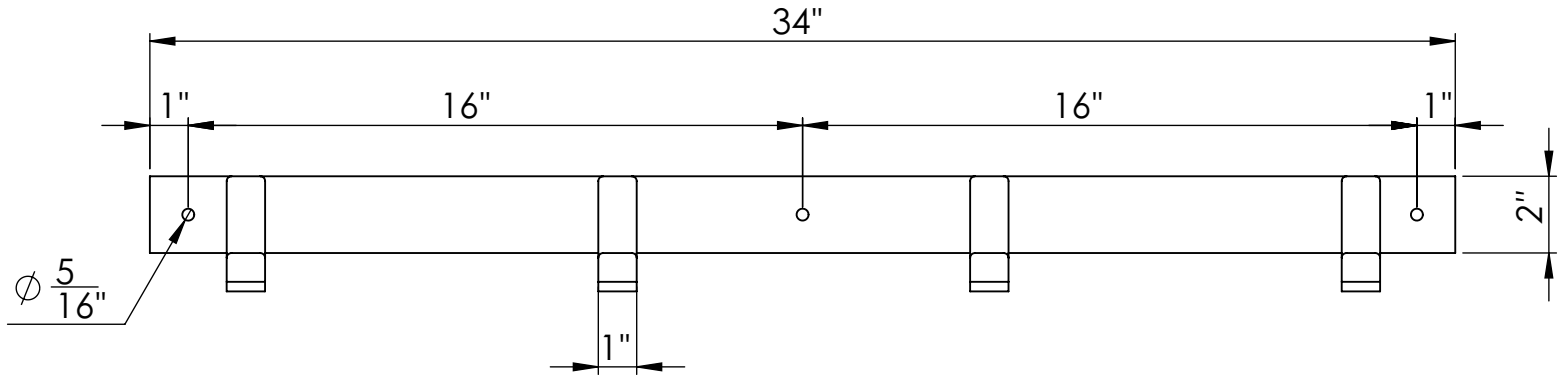
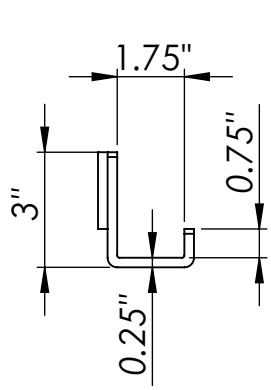
1

The information on this drawing is proprietary and shall not be disclosed., used, or duplicated for procurement or manufacturing purposes without the express written consent of cascade iron co.	Weight	Unit	Tolerance	SKU : CTRK1XX24
	72 oz	inch	.125"	
	Title: Single Hook Rack 24"			

6 5 4 3 2 1

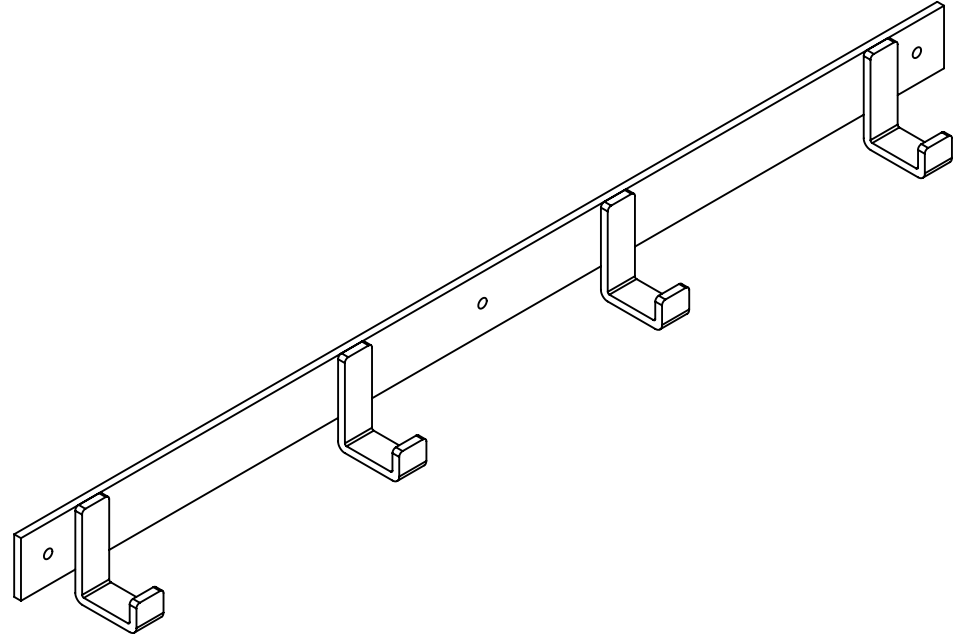
D

D



C

C



B

B

A

A

6 5 4 3 2 1

The information on this drawing is proprietary and shall not be disclosed., used, or duplicated for procurement or manufacturing purposes without the express written consent of cascade iron co.

Weight	Unit	Tolerance
104 oz	inch	.125"
Title: Single Hook Rack 34"		

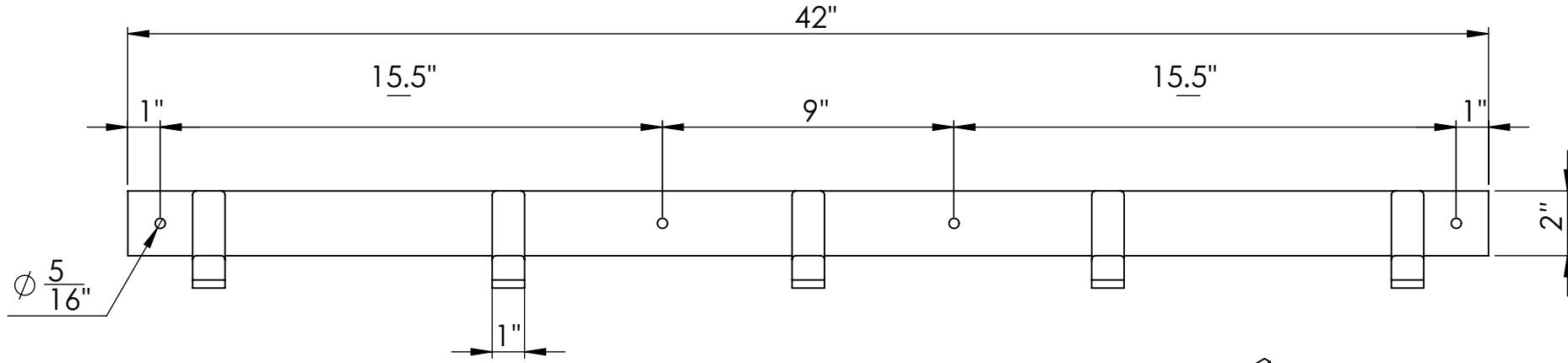
SKU : CTRK1XX34

CASCADe IRON CO.  
METAL HARDWARE

6 5 4 3 2 1

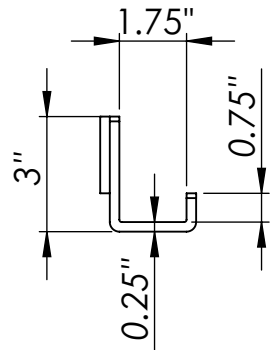
D

D



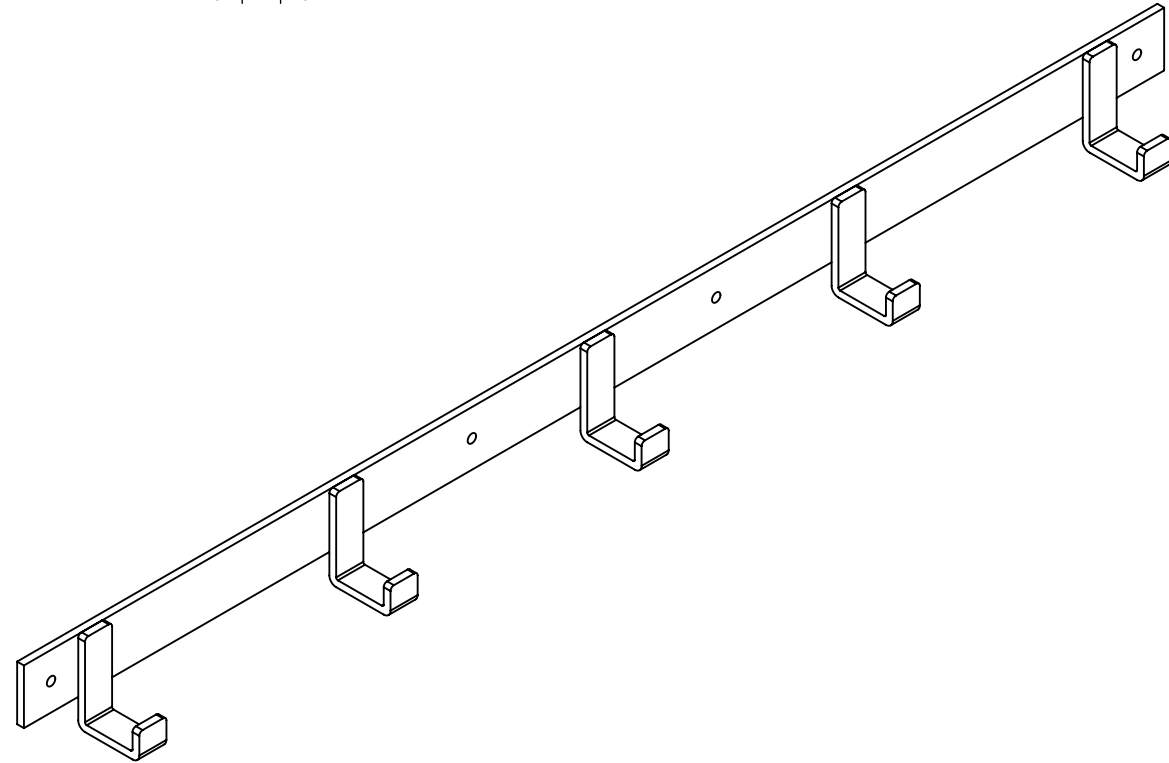
C

C



B

B



A

A

6 5 4 3 2 1

The information on this drawing is proprietary and shall not be disclosed., used, or duplicated for procurement or manufacturing purposes without the express written consent of cascade iron co.

Weight	Unit	Tolerance
128 oz	inch	.125"
Title: Single Hook Rack 42"		

SKU : CTRK1XX42

CASCADE IRON CO.  
METAL HARDWARE