

6

5

4

3

2

1

D

D

C

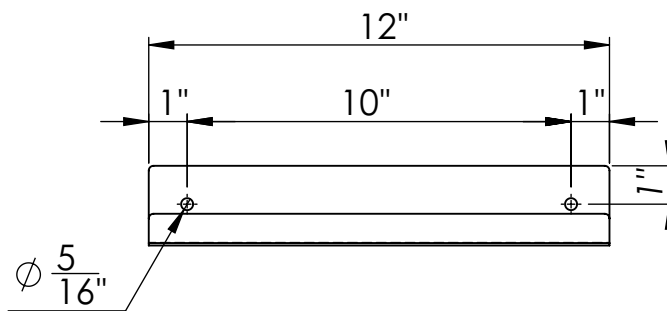
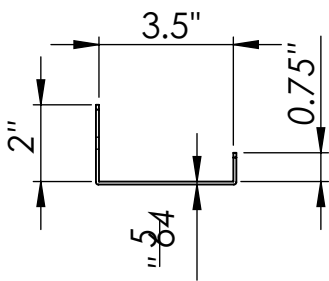
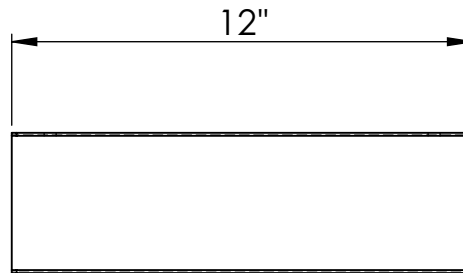
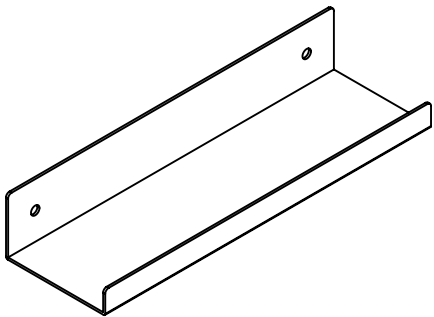
C

B

B

A

A



The information on this drawing is proprietary and shall not be disclosed., used, or duplicated for procurement or manufacturing purposes without the express written consent of cascade iron co.

Weight	Unit	Tolerance
22 oz	inch	.125"
Title: Metal Shelf Ledge 12 inch		

SKU : LS350X1200

CASCADE IRON CO.
METAL HARDWARE

6

5

4

3

2

1

6

5

4

3

2

1

D

D

C

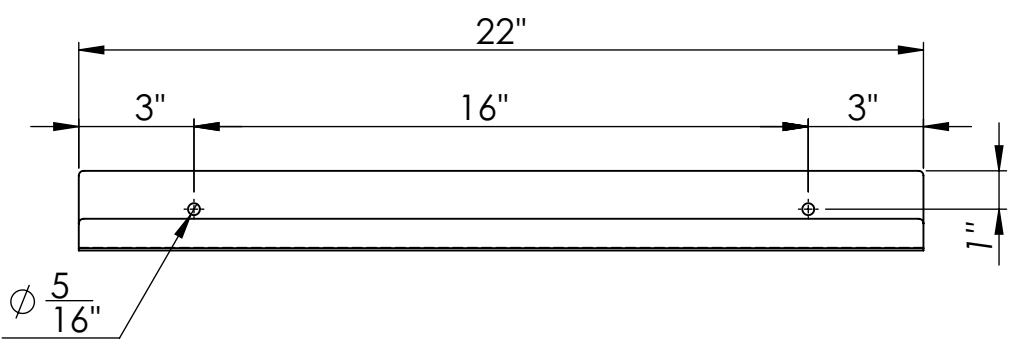
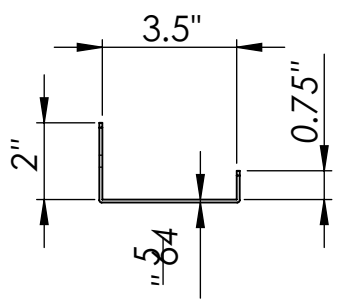
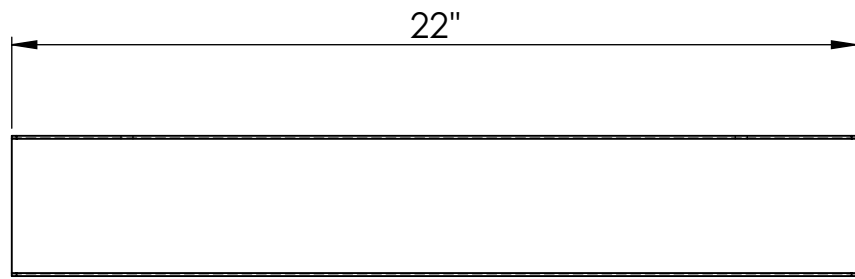
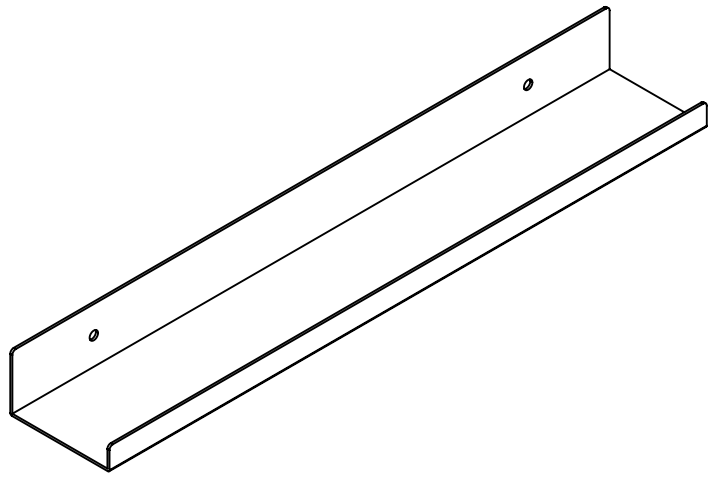
C

B


B

A

A



The information on this drawing is proprietary and shall not be disclosed., used, or duplicated for procurement or manufacturing purposes without the express written consent of cascade iron co.

Weight	Unit	Tolerance	SKU : LS350X2200
42 oz	inch	.125"	
Title: Metal Shelf Ledge 22 inch			

6

5

4

3

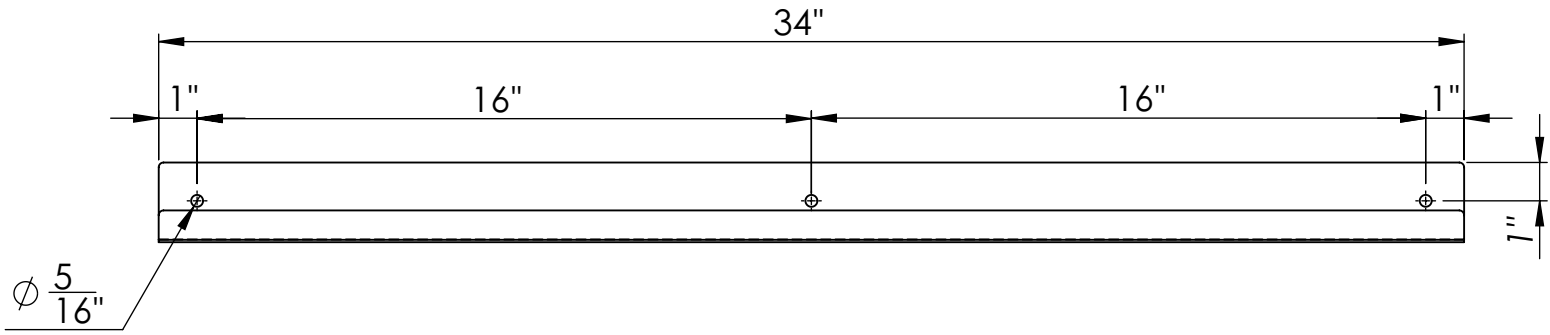
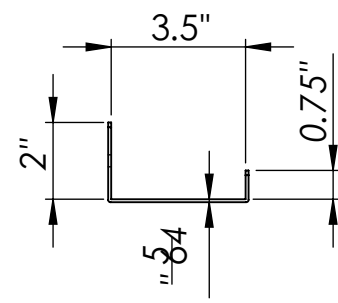
2

1

6 5 4 3 2 1

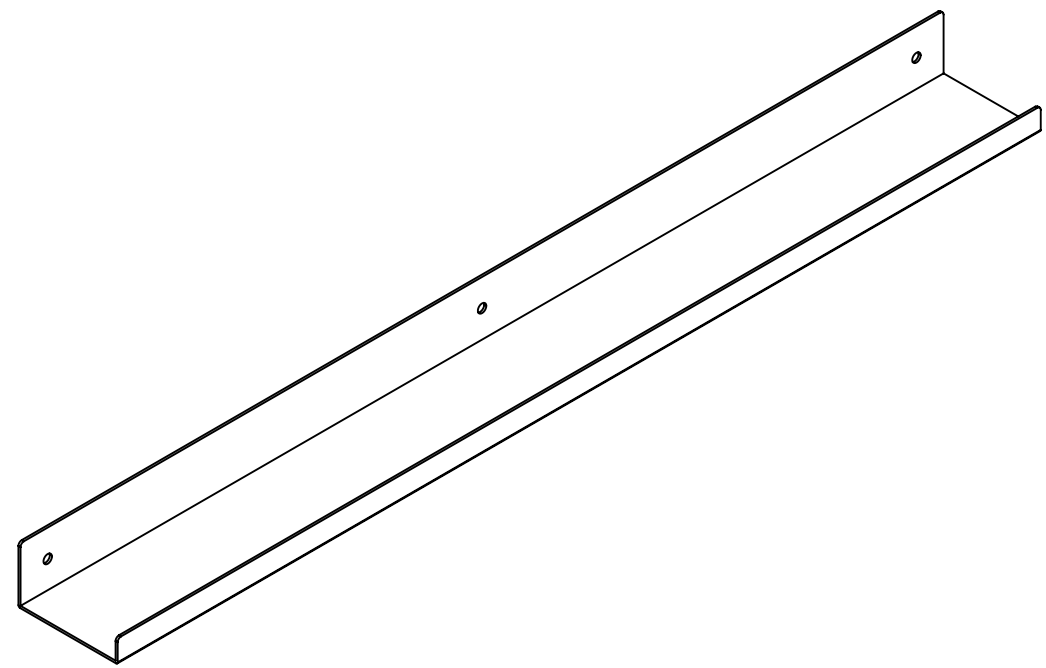
D

D



C

C



B

B

A

A

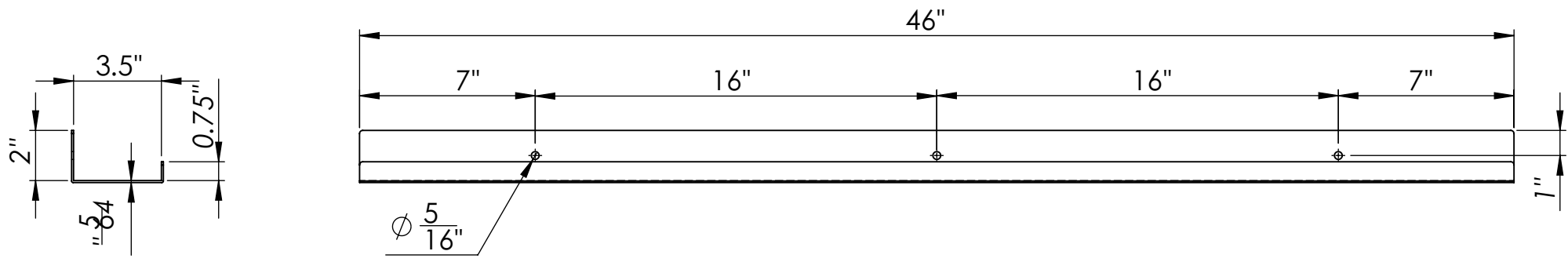
6 5 4 3 2 1

The information on this drawing is proprietary and shall not be disclosed., used, or duplicated for procurement or manufacturing purposes without the express written consent of cascade iron co.	Weight	Unit	Tolerance	SKU : LS350X3400
	70 oz	inch	.125"	
	Title: Metal Shelf Ledge 34 inch			

6 5 4 3 2 1

D

D

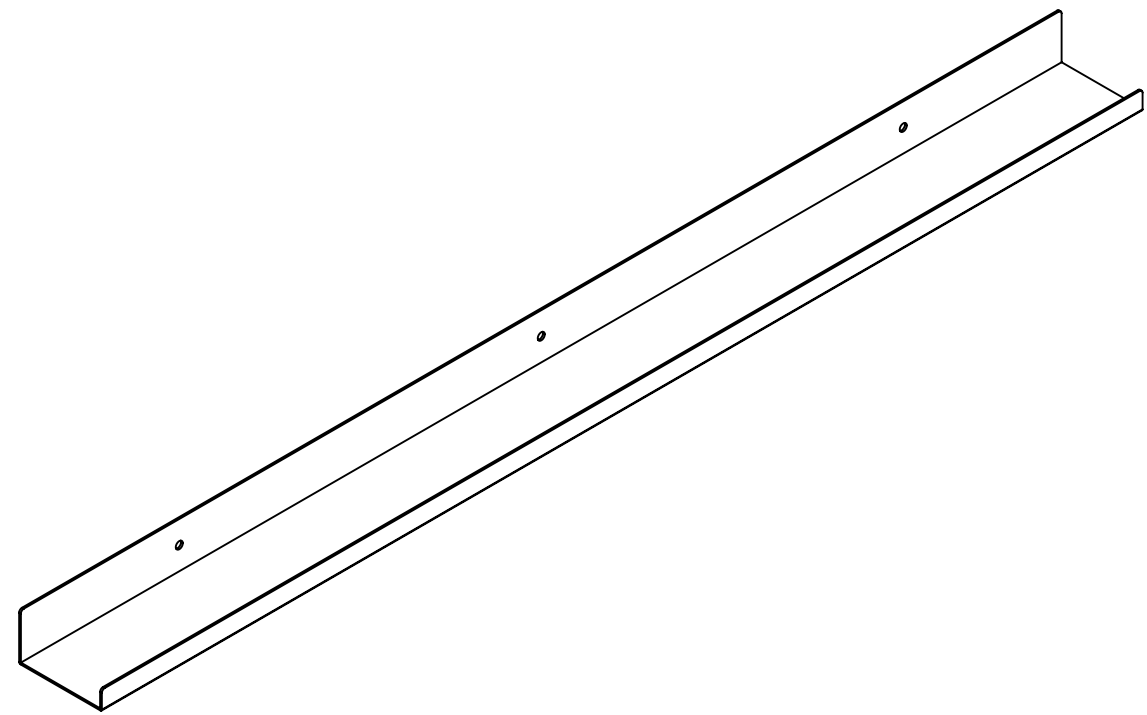


C

C

B

B




A

A

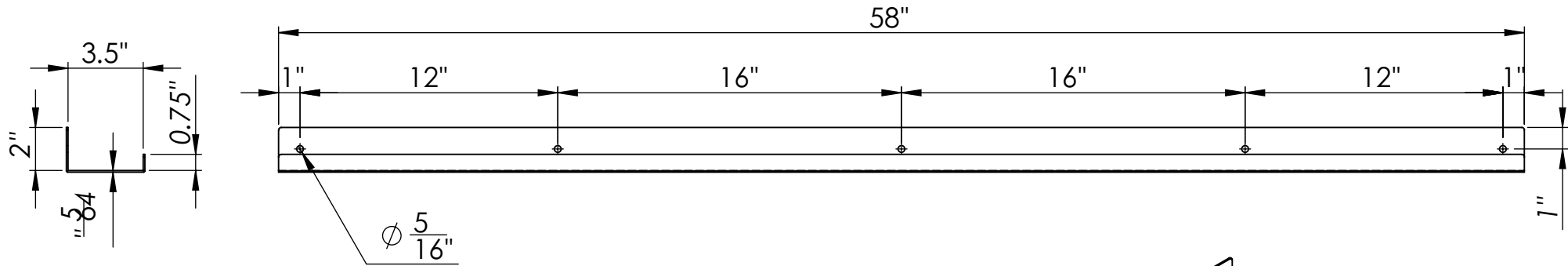
6 5 4 3 2 1

The information on this drawing is proprietary and shall not be disclosed., used, or duplicated for procurement or manufacturing purposes without the express written consent of cascade iron co.

Weight	Unit	Tolerance	SKU : LS350X4600
96 oz	inch	.125"	
Title: Metal Shelf Ledge 46 inch			

D

D



C

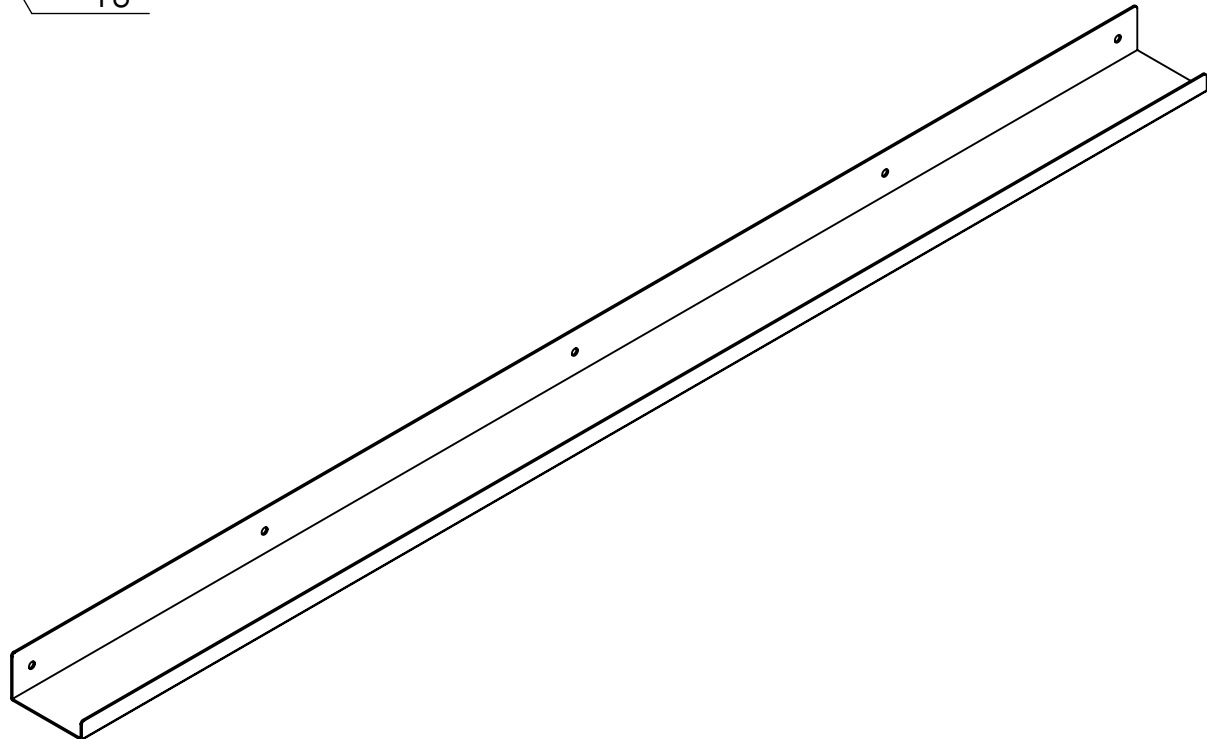
C


B

B

A

A



The information on this drawing is proprietary and shall not be disclosed., used, or duplicated for procurement or manufacturing purposes without the express written consent of cascade iron co.	Weight	Unit	Tolerance	SKU : LS350X5800
	120 oz	inch	.125"	
	Title: Metal Shelf Ledge 58 inch			

6

5

4

3

2

1

6

5

4

3

2

1