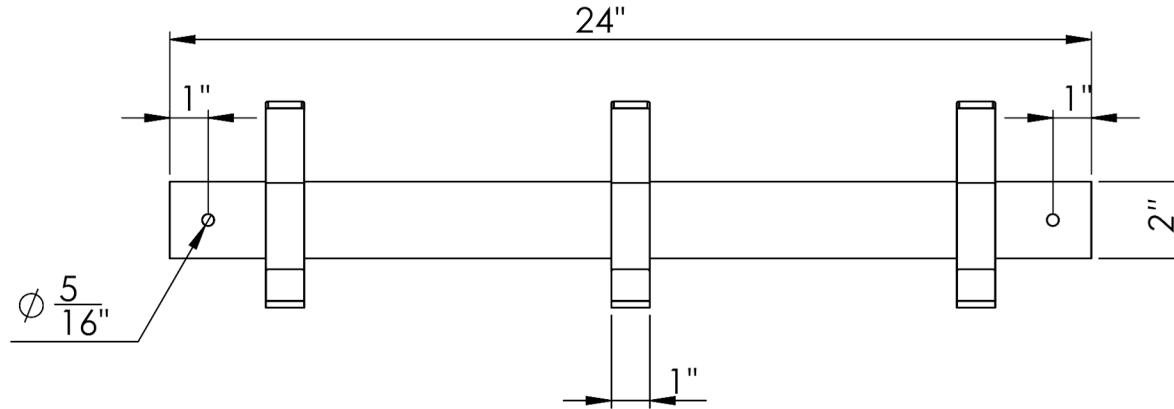
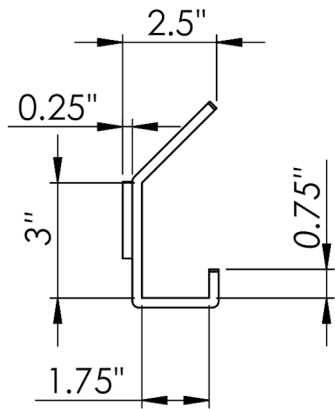


6 5 4 3 2 1

D

D

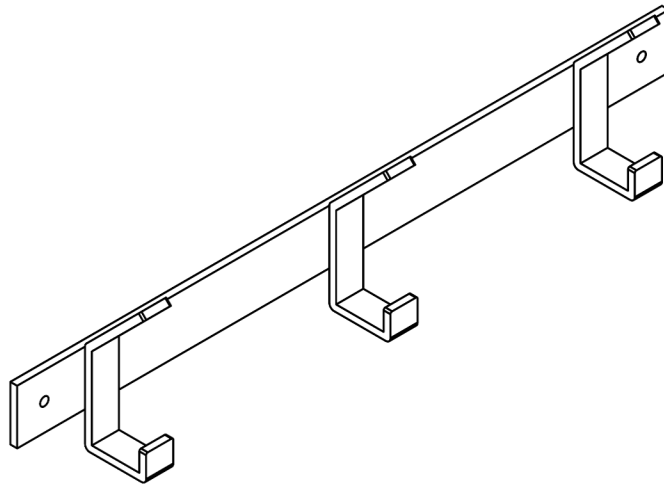


C

C

B

B



A

A

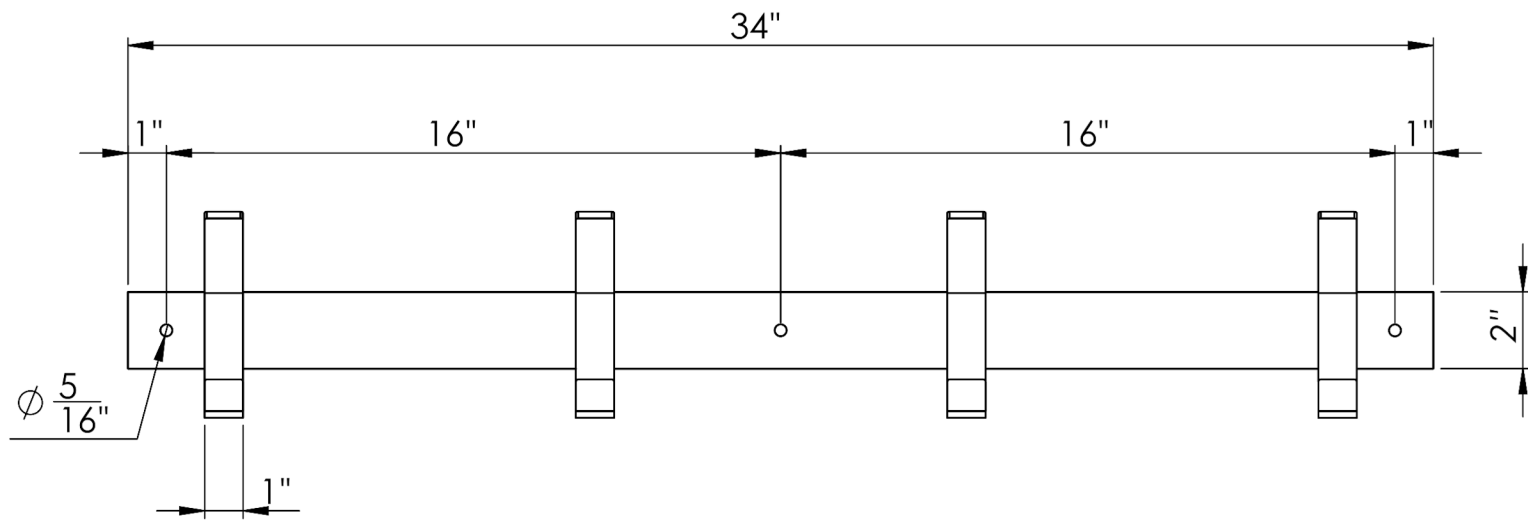
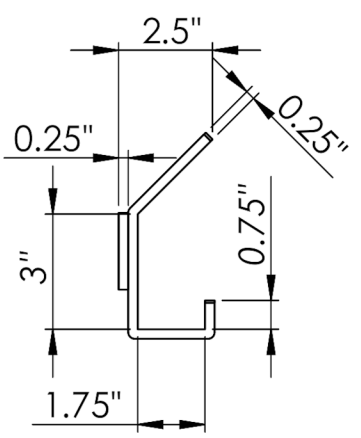
6 5 4 3 2 1

The information on this drawing is proprietary and shall not be disclosed., used, or duplicated for procurement or manufacturing purposes without the express written consent of cascade iron co.	Weight	Unit	Tolerance	SKU : CTRK2XX24
	80 oz	inch	.125"	
	Title: Double Hook Rack 24"			

6 5 4 3 2 1

D

D

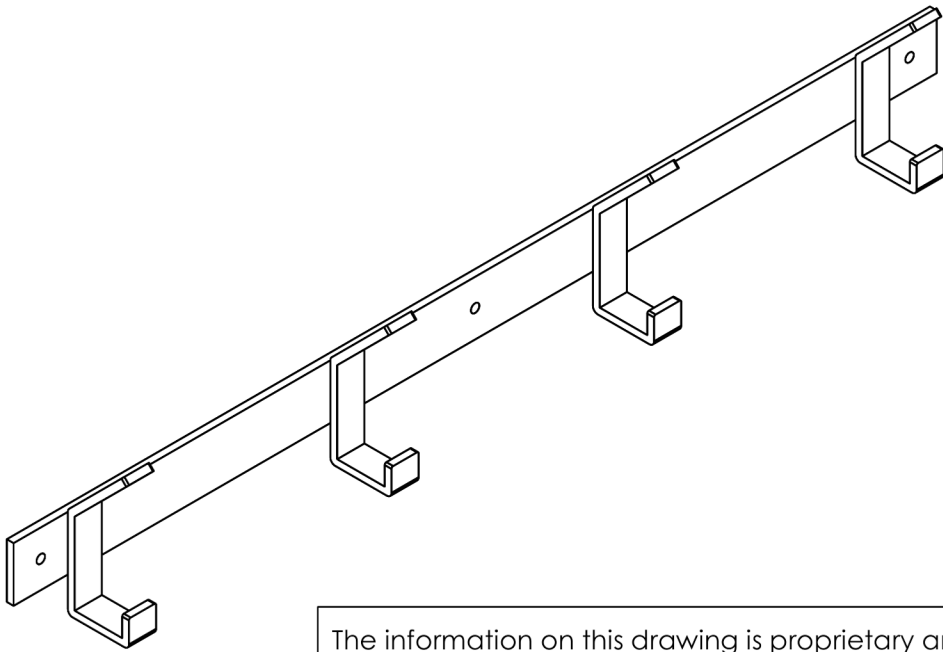


C

C

B

B



A

A

The information on this drawing is proprietary and shall not be disclosed., used, or duplicated for procurement or manufacturing purposes without the express written consent of cascade iron co.

Weight	Unit	Tolerance
112 oz	inch	.125"
Title: Double Hook Rack 34"		

SKU : CTRK2XX34

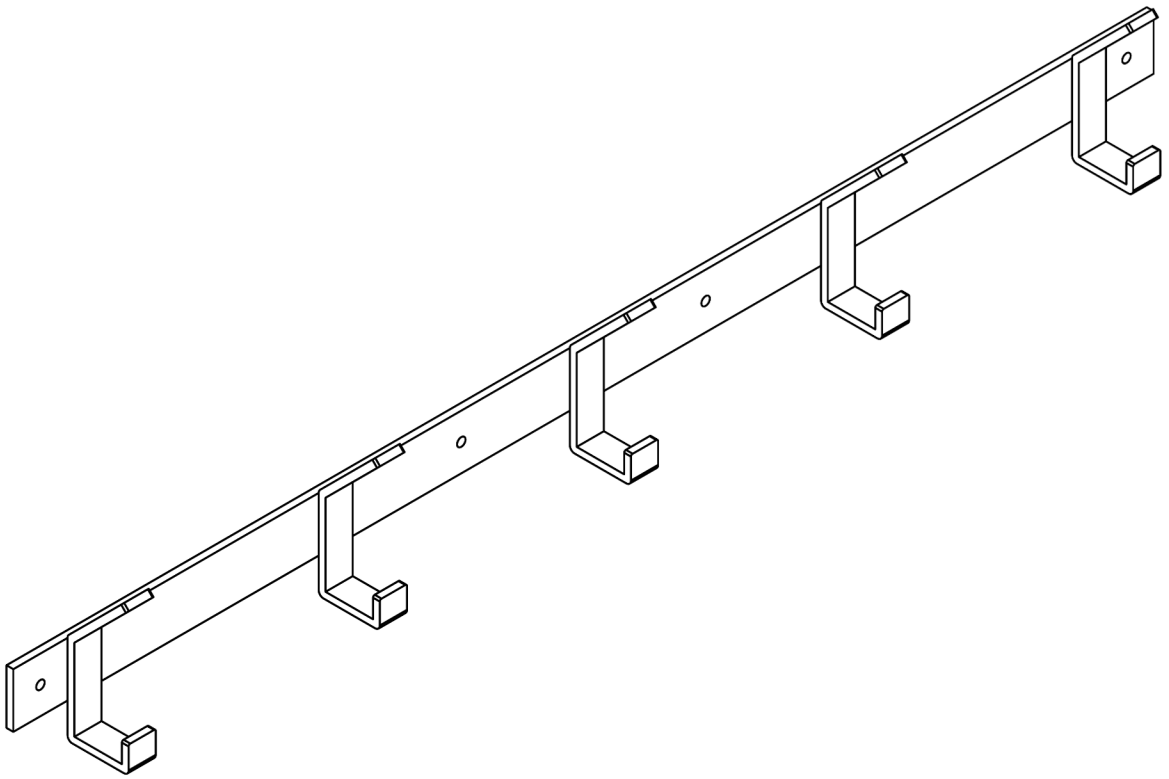
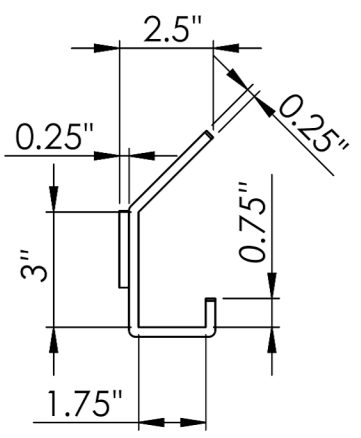
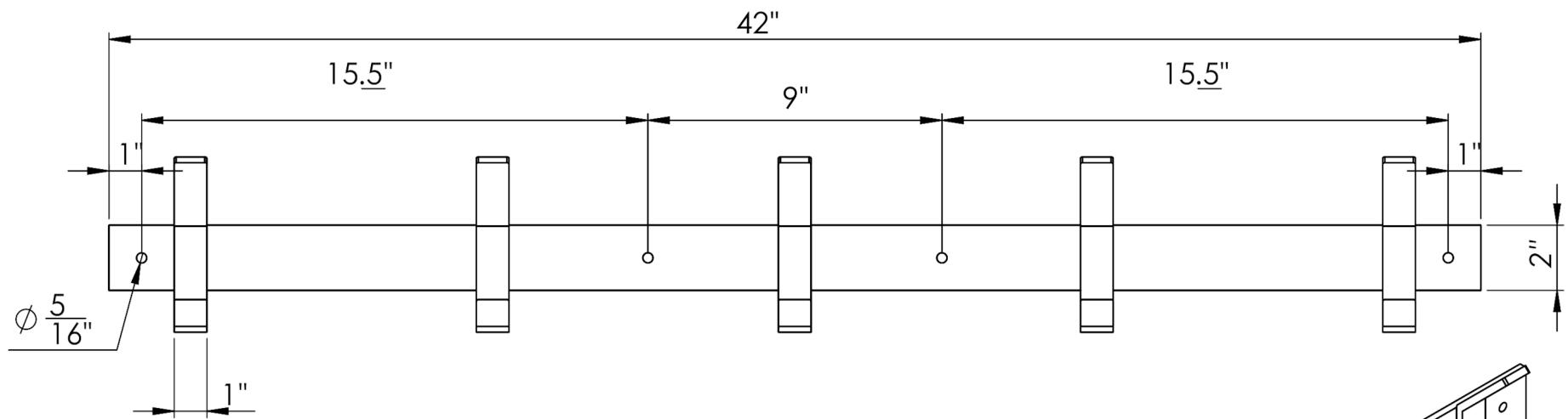
CASCADe IRON CO.
METAL HARDWARE

6 5 4 3 2 1

6 5 4 3 2 1

D

D




B

B

A

A

6 5 4 3 2 1

The information on this drawing is proprietary and shall not be disclosed., used, or duplicated for procurement or manufacturing purposes without the express written consent of cascade iron co.	Weight	Unit	Tolerance	SKU : CTRK2XX42
	144 oz	inch	.125"	
	Title: Double Hook Rack 42"			