

ZETA Slim Serve Over Counters

800mm Depth

ZETA100



ZETA200



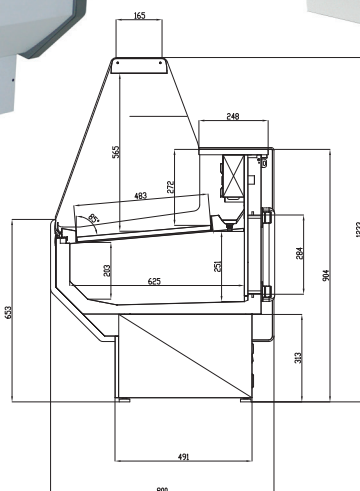
IMPORTANT NOTE

Refrigerated serve over displays are designed to keep food products at refrigerated temperatures whilst displaying them for sale. These counters have built in under-storage. The concept of a display counter is to display products ready for sale, the under-storage is intended to store additional products moved from a refrigerator to enable the operator to restock the display deck when products have been sold.

Many display counters are open displays and are not intended to be used as a long term storage cabinet. Serve over display need to be switching off for cleaning and regular maintenance and often require a manual defrost as in the UK many operate in high humidity conditions which can cause icing up issues.

STAINLESS
STEEL
BACKSHELF

ANODISED
ALUMINIUM
TOP SHELF



FEATURES

Laminated steel exterior; Painted interior steel decks; Grey ABS injected side panels 40mm thick

Stainless steel backshelf

Anodised aluminium profiles

Intermediate glass shelf - 200mm deep

LED illumination under top canopy

Refrigerated under storage

Understorage door size 270 x 400 mm

Adjustable feet

Replaceable door gaskets

TECHNICAL SPECIFICATIONS

Controller: Digital controller with temperature display

Cooling: Static

Defrost: Automatic

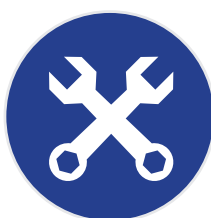
Refrigerant: R290

Climate Class: 3

Temperature Range: +2°C ~ +5°C

Power Supply: 13amp

MODEL	DOOR	DECK SIZE (W x D mm)	GROSS CAPACITY	EXT. DIMENSIONS (H x W x D mm)	POWER CONSUMPTION	DECIBELS	WEIGHT (kg)	RRP
ZETA100	1	975 x 483	335L	1233 x 1055 x 800	835W	45dBA	110	
ZETA130	2	1225 x 483	421L	1233 x 1305 x 800	891W	47dBA	137	
ZETA150	2	1445 x 483	497L	1233 x 1525 x 800	1031W	50dBA	151	
ZETA200	3	1945 x 483	669L	1233 x 2025 x 800	1234W	52dBA	191	
ZETA250	4	2445 x 483	840L	1233 x 2525 x 800	1331W	54dBA	242	



Glass structure
requires assembly
on site.

Blizzard™