



TWO SPHERES 067

Pendant light

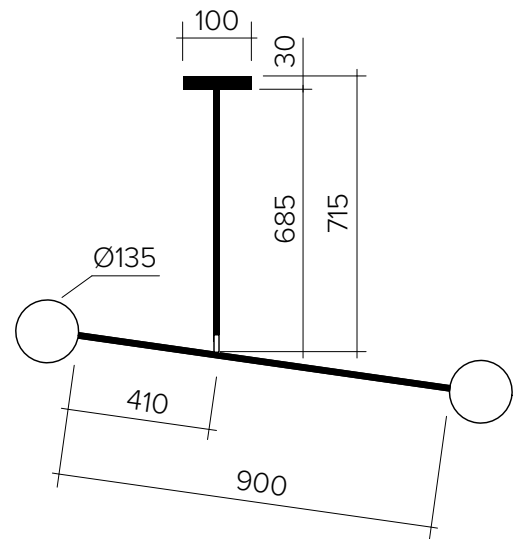
Materials and colour options:
Brushed brass structure; white glass globes; brass joint

Product number:
067OL-P01-BR01

Bulb specification:
G9 max 25W Halogen or LED equivalent, 3W advised

230V IP20

Sizes in mm



ARETI

www.atelierareti.com contact@atelierareti.com

Our collections are hand made and made to order, small irregularities in shape or surface will occur, they are inherent to the hand made process and should not be seen as flaws. Variations in colour and size are available for some collections, please contact Areti for more details.



TWO SPHERES 067

Pendant light

Materials and colour options:
 Powder coated metal structure; white glass globes; brass joint

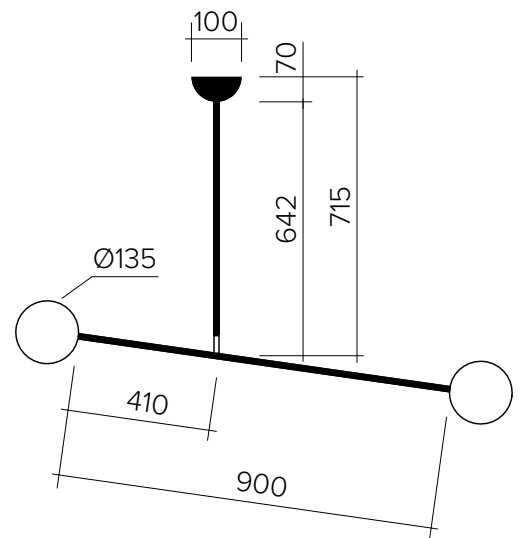
Product number:
 067OL-P02-ME01 Black powder coated metal structure
 067OL-P02-ME02 White powder coated metal structure
 067OL-P02-ME03 Coloured powder coated metal structure

Bulb specification:
 E14 screw base light bulbs. Max 25W or LED equivalent
 Recommended bulb size: diameter 35mm x total length 110mm
 (diameter must be under 40mm, length must be under 120mm)

230V IP20

Sizes in mm

For additional colour options please contact Areti



ARETI

www.atelierareti.com contact@atelierareti.com
 Our collections are hand made and made to order, small irregularities in shape or surface will occur, they are inherent to the hand made process and should not be seen as flaws.
 Variations in colour and size are available for some collections, please contact Areti for more details.