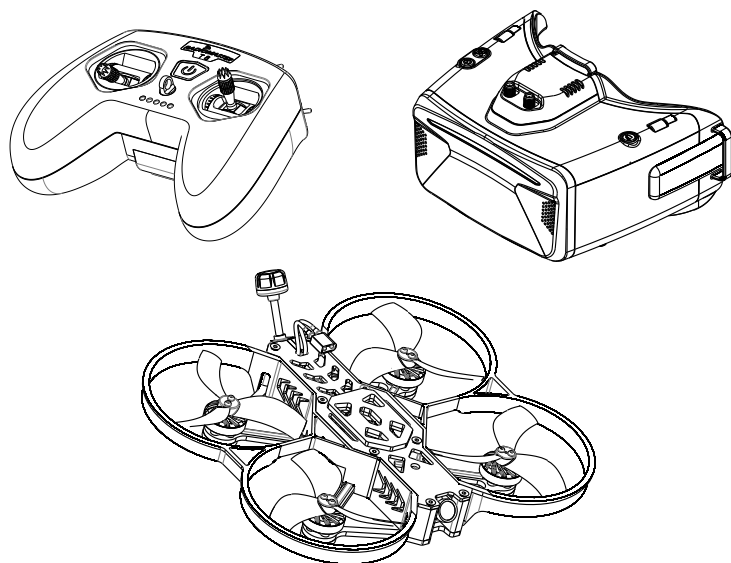


ATOMRC

MACHINE

***Seagull FPV Bundle
User Manual***



Intro

ATOMRC Seagull FPV Bundle, the ATOMRC EXCEED TOWER have compact size and powerful feature, F405 FC and 500mW VTX.

The ESC can support 35A for 60s (environment 25°C) .

The ATOMRC PHOTON 2004 2700KV MOTOR have max 634g thrust, give more maneuverability for drones.

Flight time with standard 4S 850mah battery is 9 min, user change use bigger battery for more flight time.

The Cobra L FPV goggles have 4.3 inch 480*272 LCD Screen, integrated with DVR, goggles have diversity receiver for stable image reception, goggles can power by 18650 battery or USB C.

The T8 lite radio have ergonomic design and 4 aux switch, support multiple mode.

Packing list

Seagull FPV Racing drone*1、
Cobra L FPV FPV Goggles*1、
T8 Lite Radio*1、
Cobra L accessories*1、
Seagull Bundle user manual*1、
Charger*1、
4S Lipo Battery*1。

Seagull Basic Manuel

- 1、 Make sure nothing is blocked the props when power on.
- 2、 User can change the settings on Betaflight ground station.
- 3、 Before flight, please make sure know the arm switch and mode switch, if the drone out of control, please disarm the drone immediately, the prop will stop spinning. (radio content below)
- 4、 User 4S 850mah battery, flight time about 9min,with naked gopro flight 7min, full size gopro about 6 min.
- 5、 If the battery voltage below 14.5V, there is no much power remain, user need land the drone to avoid crash and over discharge.
- 6、 Angle mode: the drone will self-level when release the sticks. Self-level modes are easier to fly for beginner.
- 7、 Air mode, there is no angle limit for the drone, drone will have much more maneuverability, this mode is for advanced flight.

Cobra L USER MANUEL

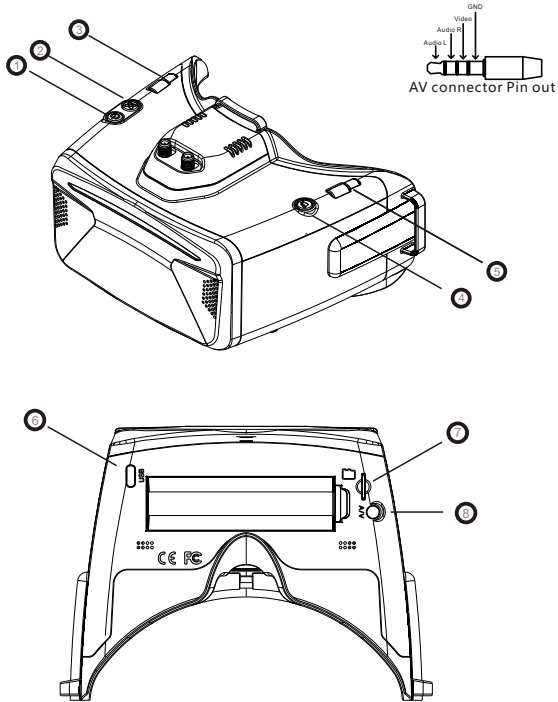
SPECS

MODEL	COBRA L
Screen	LCD
Resolution	480*272
FOV	50°
Aspect Ratio	16:09
Receiver	5.8Ghz 48 CH Diversity RX
Power Supply	18650/USB 5V
Power Consumption	5V 0.5A
DVR	H264, 30fps,MOV 6Mbps, Max 32Gb
SIZE	122*165*100mm
Weight	330g

Frequency Table

BAND/CH table								
BAND/CH	CH 1	CH2	CH3	CH4	CH5	CH6	CH7	CH8
A	5865M	5845M	5825M	5805M	5785M	5765M	5745M	5725M
B	5733M	5752M	5771M	5790M	5809M	5828M	5847M	5866M
E	5705M	5685M	5665M	5645M	5885M	5905M	5925M	5945M
F	5740M	5760M	5780M	5800M	5820M	5840M	5860M	5880M
R	5658M	5695M	5732M	5769M	5806M	5843M	5880M	5917M
L	5362M	5399M	5436M	5473M	5510M	5547M	5584M	5621M
Sensitivity	-98dBm±1dBm							
Antenna Port	2 X SMA-K,50ohm							

Button Function

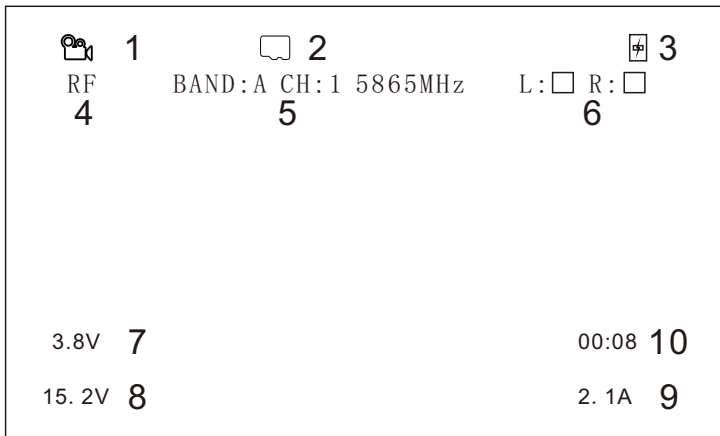


- | | |
|---------------------|-------------------------|
| 1.Power | 2.Menu |
| 3.CH/BAND/Search | 4.Record/Delet |
| 5.Mode | 6.USB C Connector |
| 7.SD card connector | 8.Audio/Video connector |

Goggles Menu

- 1、 Install the 18650 battery.
- 2、 Long press the power on button to power on.
- 3、 Press the right wheel, then roll the right wheel to change channel, press the wheel again switch to band setting mode, then roll the wheel to change the band.
- 4、 Hold the righ wheel to search, it will take 20s to search.
- 5、 Sometime the auto search channel is not accurate, user may need manually select the channel.

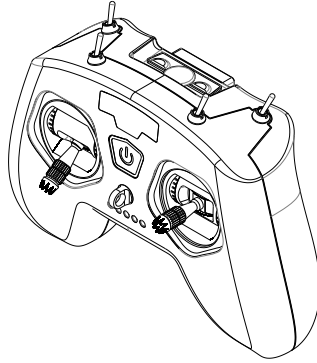
- 6、DVR need SD card to record, please format SD card to FAT32.
- 7、When goggles receive image, press record button, the DVR icon will flash, press record button again to stop recording.
- 8、Short press left wheel, when OSD show PB (Play Back Mode) , roll right wheel to select, press right wheel to record or fast forward .
- 9、press mode button to quit play back mode.
- 10、Goggles OSD is below.



- | | |
|------------------|----------------------------------|
| 1.DVR Status | 6.RSSI |
| 2.SD Card Status | 7.Drone Battery voltage per cell |
| 3.Battery Status | 8.Drone Battery voltage |
| 4.Mode | 9.Drone Current |
| 5.Frequency | 10.Flight Time |

The Goggles OSD time out can be set, turn off means the OSD is always on.

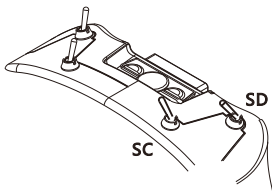
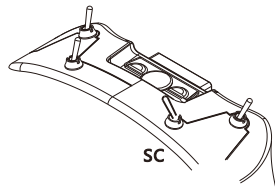
Radio



- 1、 Make sure all switch is down, throttle stick is at the bottom.
- 2、 Hold power button is turn on, the LED will turn green.
- 3、 If the green LED is flashing and radio start beep, it means that Switch is not down or throttle stick is not bottom. push switch down and throttle to bottom, the radio will back to normal.
- 4、 The radio can charge by USC C port 5V.

Flight Mode

Push up SC Switch to Arm the quad, the prop will spinning.

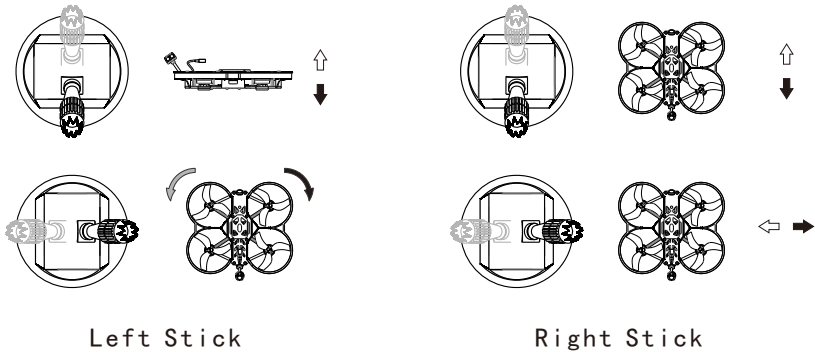


Push up SD, Switch Angle mode to Air Mode.

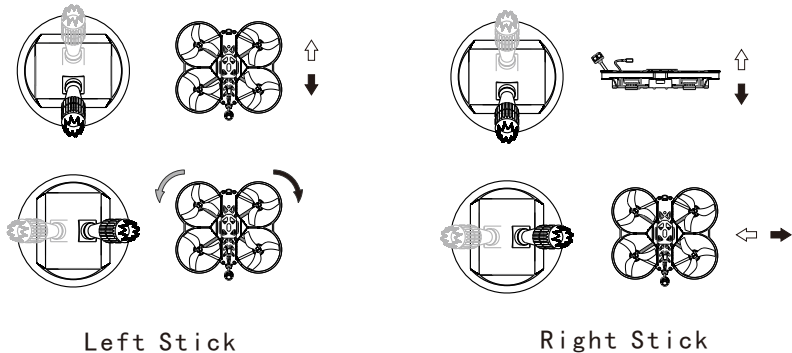
SA Switch is buzzer switch, drone will beep when pull up this switch.
SB is anti flip switch, when drone is flipped, pull up this switch then push sticks, drone will flip back to normal.

Stick mode

Mode 2



Mode 1



Push the throttle Stick upward, the drone will fly upward.
Push the Yaw Stick right, the drone will rotate horizontal clockwise.
Push the Pitch Stick upward, the drone will tilt down.
Push the Roll Stick left, the drone will roll left.

How to Bind RX

1. Hold the BIND button on the receiver and turn on the power .After about 3 seconds, the receiver LED red light will be on. And wait for the link.
2. Keep the throttle stick at the lowest position, and then press the link button for more than 1 second to bind the receiver. The power button will flash, indicating that linking is in progress.
3. At this time, the red light of the receiver flashes to indicate that the linking is successful, and the receiver can be used after powering on again Special.

Attention: different D8 protocol receivers may enter the pairing mode in different ways. For details, please refer to the corresponding manuals of various receivers to ensure correct use.

Various different receivers and models will have different methods to place the model or receiver in to bind mode. Please follow the instructions from the model or receiver manufacturers user manual to in.

Pre fight Check

- 1、 Make sure drone、 radio and goggles batter are fully charged.
- 2、 Make sure familiar with stick mode and switch mode function.
- 3、 Make sure the goggles received the image, and image is clear.
- 4、 Ensure the prop is properly installed, no damage on prop.
- 5、 Turn on the radio and Goggles.
- 6、 Use battery strap to tie the battery, make sure no slide.
- 7、 Plug the battery, and put the drone to the level ground.
- 8、 Now the drone is ready to fly.
- 9、 If not familiar with the drone, use angle mode first.

Flight Environment

- 1、 Do not fly in windy or snow and rain days.
- 2、 Choose open area, no crowds and cars near by.
- 3、 Keep away from crowds、 powerline 、 water、 radio tower etc.
- 4、 Do not fly over height.

Chager And Maintain

- 1、Charger support 110~220V AC IN.
- 2、For safety, do not charge the battery unattended .
- 3、To reserve the battery, make sure battery is not fully charged, discharge battery to 14.8V .

FAQ

Cant Arm?

Check throttle stick, make sure it at bottom, make sure quad is level.

How to install prop?

The prop is spinning from inside to out size, prop is locked by M2*8mm Hex screw.

Goggles screen black?

Make sure its in RF mode, press left wheel to switch.

How to change the Frequency?

The VTX have IRC protocol, user can change it with osd command.

ATOMRC Seagull RTF Bundle	
Drone	
Flight Controller	ATOMRC Exceed F405 MINI
ESC	ATOMRC Exceed 30A MINI BLS 2-4s 4in1
Motor	ATOMRC 2004 2700KV
VTX	ATOMRC Exceed 500mW MINI
Cam	Foxeer Razer nano
Prop	Gemfan 90mm
COBRA L Goggles	
Resolution	480*272
Receiver	Diversity
DVR	MJPEG
POWER	1 Cell 18650/ USB C
RADIO	
Frequency	2.4Ghz
Channel	8
Protocol	D8



Please download the latest user manual at www.atomrc.com/pages/download