

# ***MINI FPV GOGGLES***

## ***User's manual***

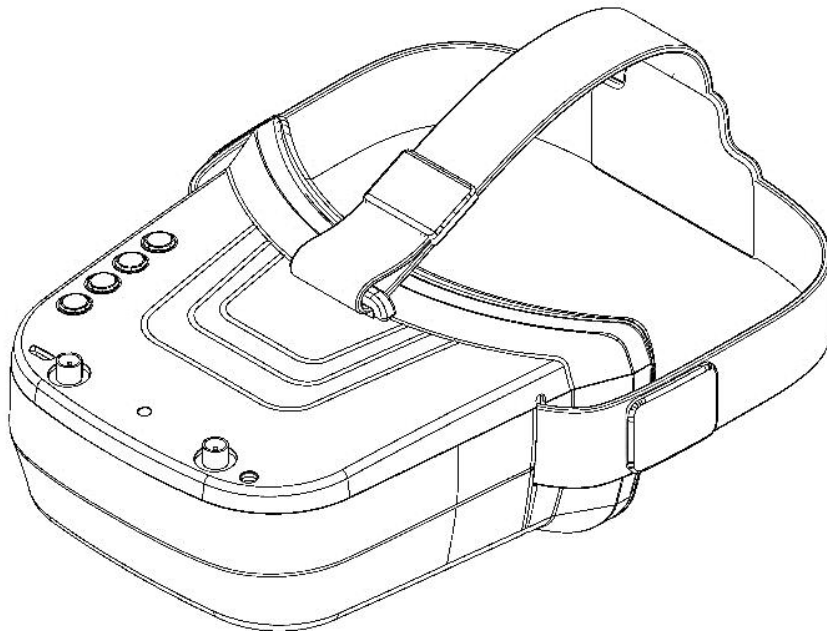
*Double Antennas*

*Built-in 3.7V 1200mAh Battery*

*Support a key search frequency*

*RaceBand 40 channel Auto-Searching*

*Real-time video return 5.8G FPV Receiver*



***Thank you for your choose and buy the products of this company.***

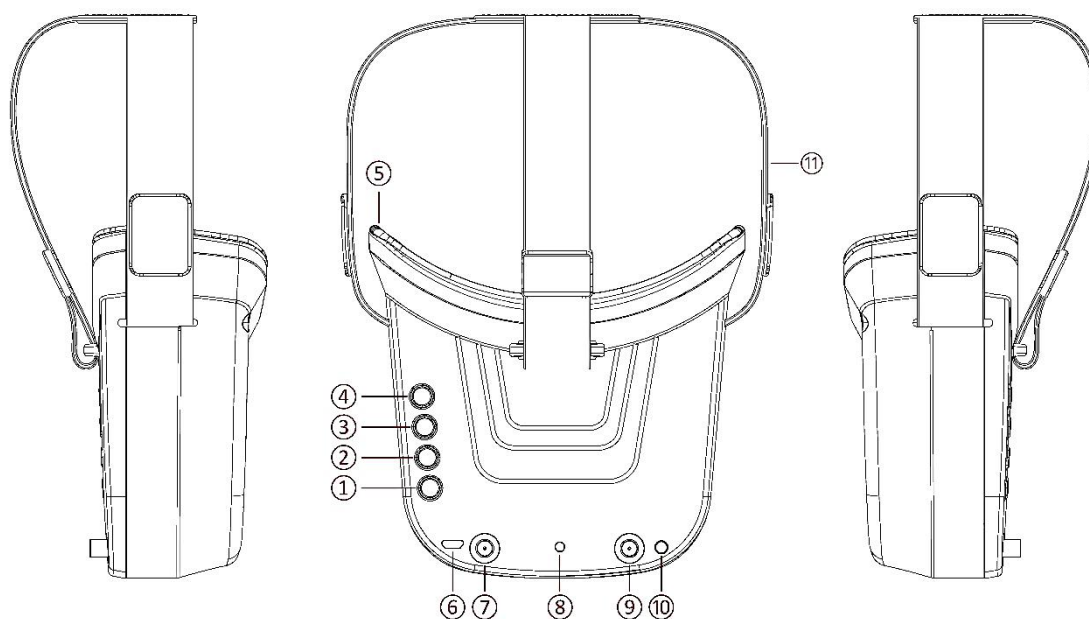
### **Feature:**

- Small size and light weight;
- Low power consumption, Working current 360~400mA;
- Double antenna reception to make the signal more stable;
- RaceBand 40 channel, Auto-Searching;
- 3.0 Inch 480\*320 dot high brightness LCD screen;
- Built-in super sensitiveness 5.8GHz 40ch receiver, especially with RaceBand;
- Built-in 3.7V/1200mAh high-capacity Li-ion polymer Battery;
- Universal USB charging interface;
- Real-time video return, Very low time-delay;
- Bilingual menu in support of Chinese and English;
- Support external video signal input;
- Support AV signal output (Connect external DVR);

### **Specification:**

Model									
Name	Mini FPV Goggles								
LCD Screen	Screen size:		3.0 Inch						
	Resolution:		480*320						
	Display Ratio:		16:9						
	View Angle:		6 o'clock						
	Brightness:		350cd/m <sup>2</sup> with high brightness backlight LED						
Video delay	Video time-delay less than 20ms								
Lens	4X Fresnel Lens, 92% transparent rate no distort of light								
Interface	Antenna	2 X RP-SMA male							
	USB	To charge the battery							
	AV Jack	External video signals input or internals AV signal output							
Languages	English and Chinese								
Power Supply	Power adapter: DC5V/1A (USB interface)								
	Battery: 3.7V/1200mAh, Each full charge revive around 2.5hr working time								
	Power Consumption: *The device operating current of 360~400mA at 3.7~4.2V; *Built-in battery maximum charge current of 500mA;								
Wireless	<b>Frequency Table(MHz)</b>								
		<b>CH1</b>	<b>CH2</b>	<b>CH3</b>	<b>CH4</b>	<b>CH5</b>	<b>CH6</b>	<b>CH7</b>	<b>CH8</b>
	<b>Band A</b>	5865	5845	5825	5805	5785	5765	5745	5725
	<b>Band B</b>	5733	5752	5771	5790	5809	5828	5847	5866
	<b>Band E</b>	5705	5685	5665	5645	5885	5905	5925	5945
	<b>Band F</b>	5740	5760	5780	5800	5820	5840	5860	5880
<b>Band R</b>	5658	5695	5732	5769	5806	5843	5880	5917	
Body	Dimension: 13.5cm * 13.2cm * 6.5cm								
	Weight: 180g(with headband, not included antennas)								

## Controls Diagram:



## Description:

- ① **Key 1:** Short press for MENU mode; Long press (More than 3 sec) for Power ON/OFF.
- ② **Key 2:** Short press for Auto-Searching (Automatic selection of the strongest channel).
- ③ **Key 3:** Short press for Band+ (Change bands A-B-E-F-R circularly).
- ④ **Key 4:** Short press for Channel+ (Change channels 1-2-3-4-5-6-7-8 circularly).
- ⑤ **Eye ring:** protect the surrounding parts of the eyes, so that the wear more comfortable.
- ⑥ **Micro-USB Charging port:** Supports DC5V only.
- ⑦ **Antenna port A:** RP-SMA male.
- ⑧ **Charging indicator:** Red light when charging light; full power, the indicator goes off.
- ⑨ **Antenna port B:** RP-SMA male.
- ⑩ **AV Jack:** In RF receiving mode can output AV signal; In AV mode can enter the video signal.
- ⑪ **Head band:** Adjustable headband.

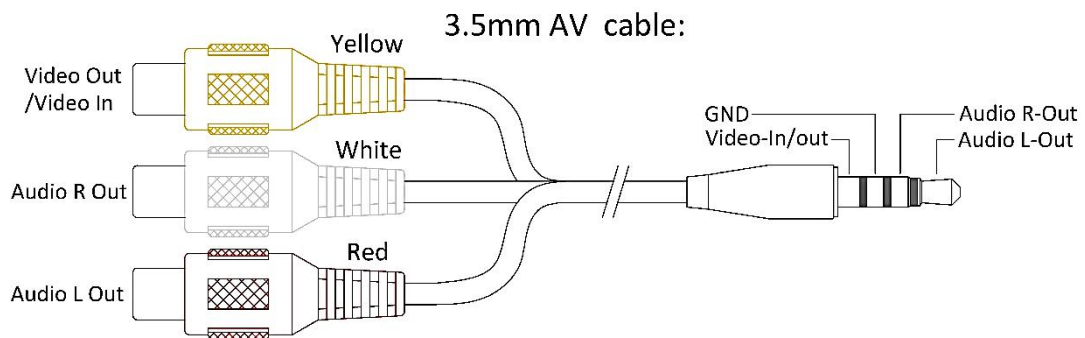
## Menu Operation Instructions:

In normal mode, press **Key 1** to enter the MENU mode.

**In MENU mode:**

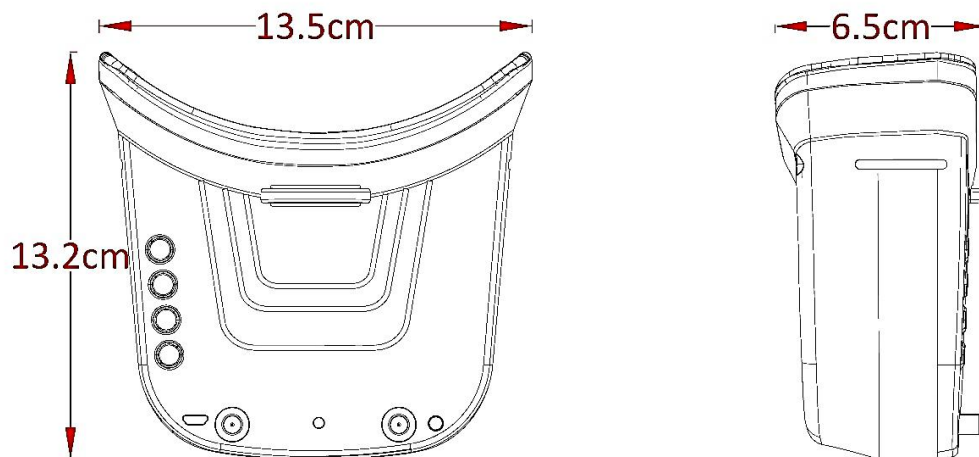
- ① **Key 1:** Select the option bar.
- ② **Key 2:** Return to normal mode.
- ③ **Key 3:** Value -.
- ④ **Key 4:** Value +.

### **AV port Instructions:**



### **Dimension Diagram:**

*Not included antennas and headband.*



### **Safety instruction:**

- 1. Read the entire instruction manual to become familiar with the features of the product before operating.**
- 2. Age Recommendation: Over 14 years old. Using any near eye displays on children under 14 can cause eye development problems. This is not a toy.**
- 3. Please avoid wet or humid environments.**
- 4. Please use standard USB charger, charging voltage can only be 5V.**
- 5. AV output and Video input cannot work at the same time, It is forbidden to insert external video in RF receiving mode.**