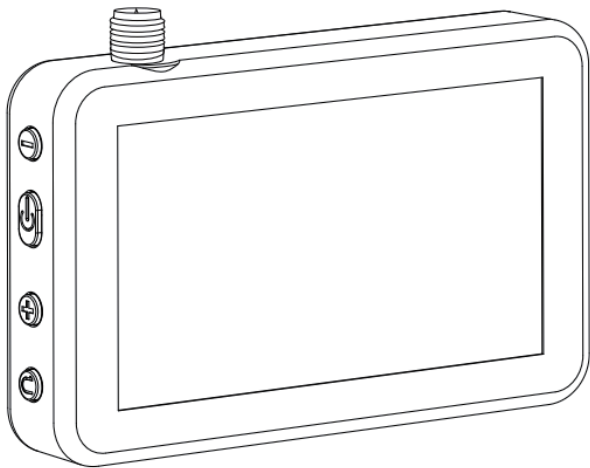


Mini FPV MONITOR

User's manual



- Support one-key frequency search**
- Real time video transmission with no delay**
- Built-in 3.7V 800mA polymer battery**
- Built-in 40 CH high-sensitivity receiving module**

Thank you for purchasing this product and hope to bring you a wonderful experience!

Feature

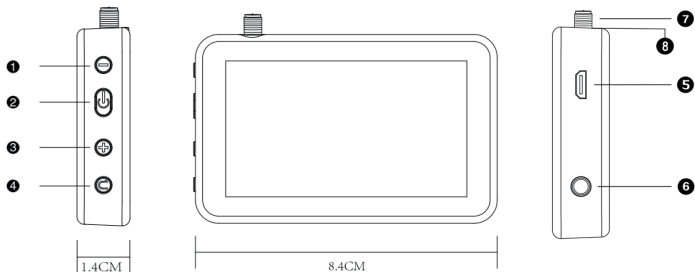
- Small size and light weight;
- Low power consumption, Working current 360~400mA;
- High-sensitivity dual-filter 5.8G receiving module, strong anti-interference, and more stable signal;
- The module adopts general 40 channels, with automatic frequency search function;
- 3.0-inch 480*320 resolution high-brightness IPS screen;
- Built-in 3.7V/800mAh high-capacity polymer lithium battery;
- Universal USB charging interface;
- Real-time video transmission, zero delays;
- Support Chinese and English menu;
- Support external video signal input;
- Support AV signal audio and video output and can be connected to an external DVR for recording;
- It can be used as a receiver of video glasses such as "DJI". With interest screen function.

Specification

Name	Makerfire Mini FPV Monitor	
LCD Screen	Screen : 3.0 Inch IPS LCD	
	Resolution: 480*320	
	Display Ratio: 16:9	
	View Angle: 360 ° without dead angle	
	Brightness: 500cd/m ² with high brightness backlight LED	
Video delay	Video time-delay less than 20ms	
Interface	Antenna	RP-SMA male
	USB	To charge the battery
	AV Jack	External video signals input or internals AV signal output
Languages	English and Chinese	
Power Supply	Power adapter: DC5V/1A (USB interface)	
	Battery: 3.7V/800mAh,Each full charge revive around 2hr working time	
	Power Consumption: *The device operating current of 360~400mA at 3.7~4.2V; *Built-in battery maximum charge current of 800mA;	

Wireless	Frequency Table(MHz)								
		CH1	CH2	CH3	CH4	CH5	CH6	CH7	CH8
	Band A	5865	5845	5825	5805	5785	5765	5745	5725
	Band B	5733	5752	5771	5790	5809	5828	5847	5866
	Band E	5705	5685	5665	5645	5885	5905	5925	5945
	Band F	5740	5760	5780	5800	5820	5840	5860	5880
	Band R	5658	5695	5732	5769	5806	5843	5880	5917
Dimensions and weight	Body size: 8.4cm * 5.3cm * 1.4cm				Packing size: 12cm * 11cm * 25cm				
	Body weight: 65g(not included antennas)				Package weight: 167g				

Control Button Definition



Button function description:

- ① Button 1: Short press to switch frequency bands (cycle switching A-B-E-F-R frequency bands).
- ② Button 2: Long press (3 seconds) to power on/off; short press to enter the menu and switch to the next menu each time you press it.
- ③ Button 3: Short press to switch frequency points (cycle switching 1-2-3-4-5-6-7-8 frequency points).
- ④ Button 4: Short press to automatically search for signals (finally lock on the frequency point with the strongest signal).
- ⑤ Charging port: Micro-USB interface only supports DC5V charging.
- ⑥ Headphone port: use a 3.5mm AV jack to support external video input and local audio and video output
- ⑦ Antenna port : RP-SMA male.
- ⑧ Indicator light: The red light is on when charging, the red light is off and the green light is on after it is fully charged.

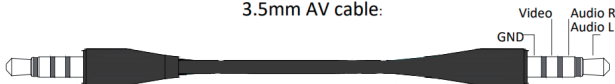
Menu Operation Instructions:

Long press button 2 (3 seconds) to start the device; short press to enter the system menu and switch to the next menu each time you press it.

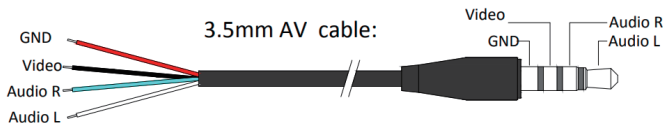
- ① Button 1: Short press to switch frequency bands (cyclically switch A-B-E-F-R frequency bands). The menu mode is "backward" or "minus"
- ② Button 2: Short press to switch frequency bands (cyclically switch A-B-E-F-R frequency bands). The menu mode is "backward" or "minus"
- ③ Button 3: Short press to switch frequency bands (cyclically switch A-B-E-F-R frequency bands). The menu mode is "backward" or "minus"

AV port Instructions

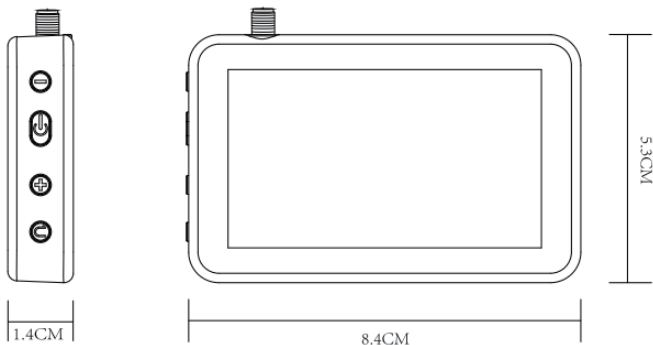
3.5mm AV cable:



3.5mm AV cable:



Product Size



Safety instruction:

1. Please read the instruction manual thoroughly before the operation to familiarize yourself with the product features!
2. Age recommendation: over 14 years old. Children under the age of 14 using any monitor at close range may cause eye development problems. This is not a children's toy!
3. Please avoid using the product in a humid environment!
4. Please use a standard USB charger, the charging voltage can only be 5V.
5. AV output and Video input cannot work at the same time, and it is forbidden to insert external video in RF receiving mode.
6. Please do not use corrosive cleaning agents to wipe the product!