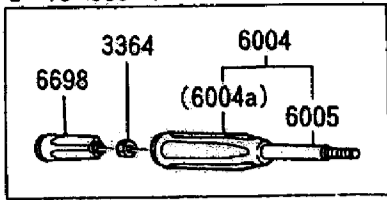
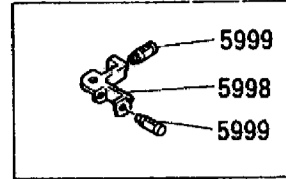


2-13-066-4



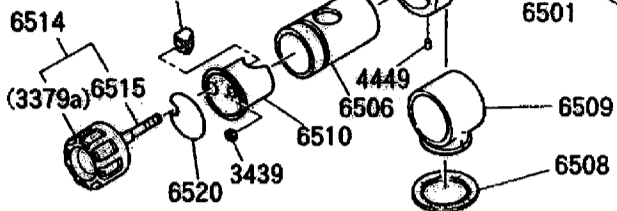
1-16-557-3
 SL-31U
 PROFESSIONAL II
 Cat. No. 616-815

2-13-053-2

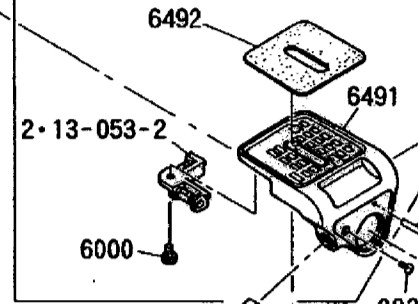


(1992-2~)
 (1992-1-20)
 (1996-9-10)
 (1998-9-25)

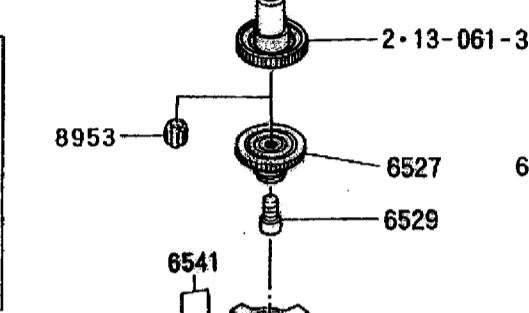
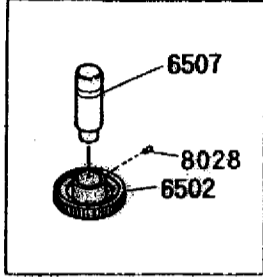
2-13-066-4



2-13-060-5



2-13-061-3



2-23-122-3

