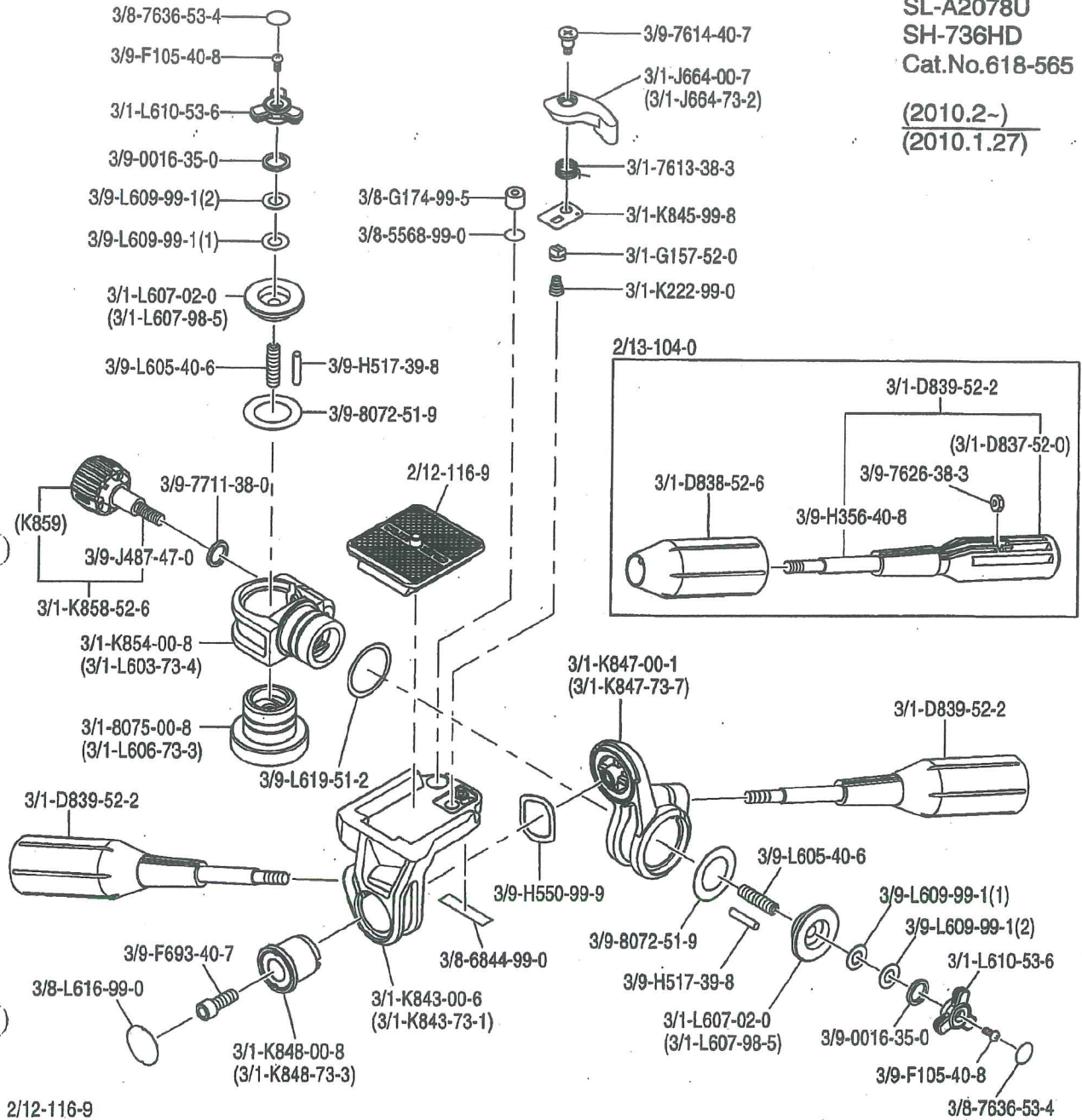


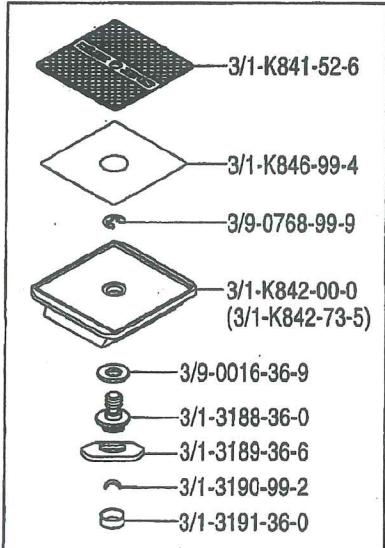
[049368-703871]

6-26-101-7
SL-A2078U
SH-736HD
Cat.No.618-565

(2010.2~)
(2010.1.27)



2/12-116-9



702-5

