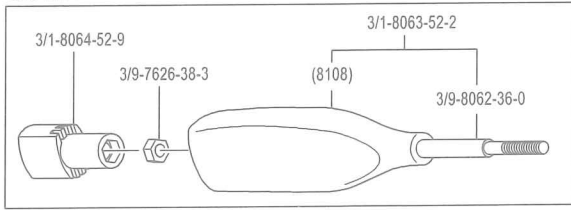


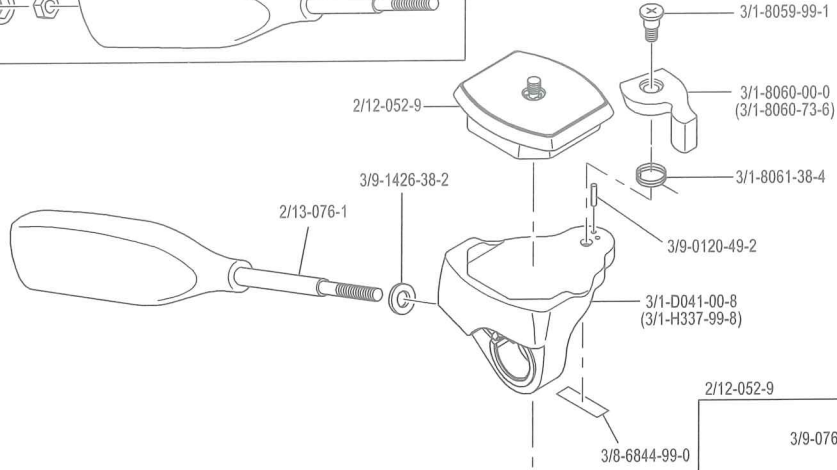
2/13-076-1

[049368-701617]

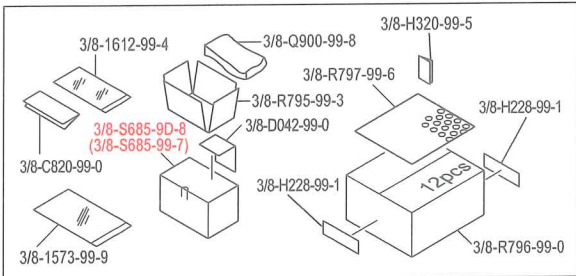
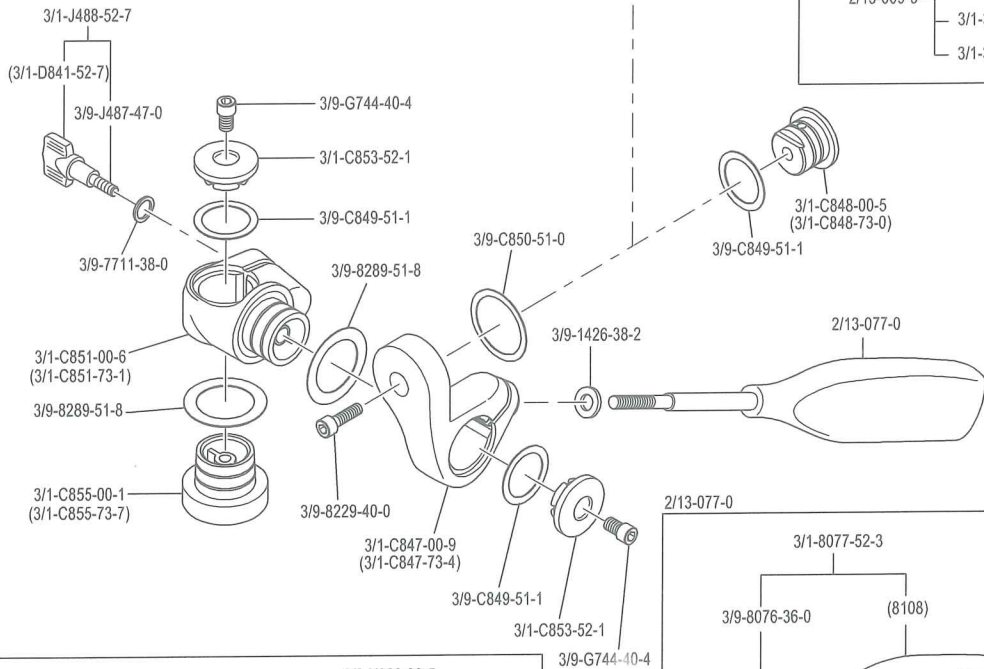
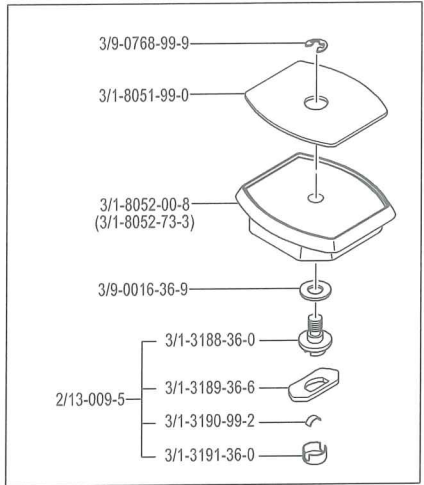
6.26-035-5  
SL-A2058U  
SH-705E  
Cat.No.615-335



(2003.7~)  
(2003.7.18)  
(2005.7.15)  
(2006.5.9)  
(2016.6.24)  
(2017.5.17)  
(2017.10.4)



2/12-052-9



2/13-077-0

