

Specification

PBH-425DS

Height	100 mm (4 in)
Weight	430 g (1 lbs)
Head mounting screw	U1/4"
Tripod mounting screw	U1/4"

PBH-525DS

Height	107 mm (4.3 in)
Weight	530 g (1.2 lbs)
Head mounting screw	U1/4"
Tripod mounting screw	U1/4"

Operating Instructions

Thank you very much for choosing SLIK product.
SLIK Corporation has designed to be a sturdy, rugged, dependable product that will provide you with many years of satisfactory use.
Please take a few moments to read this operating instruction carefully before use so that you can take full advantage of many fine features.
Retain this operating instruction in case you might want to refer back to it.

⚠ Caution

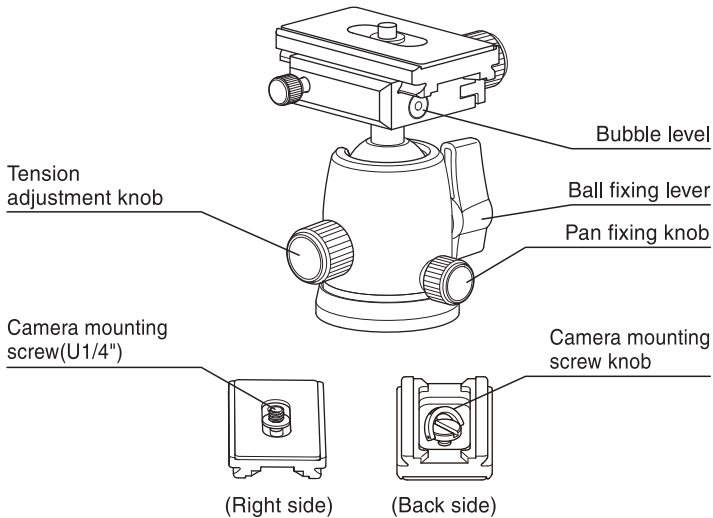
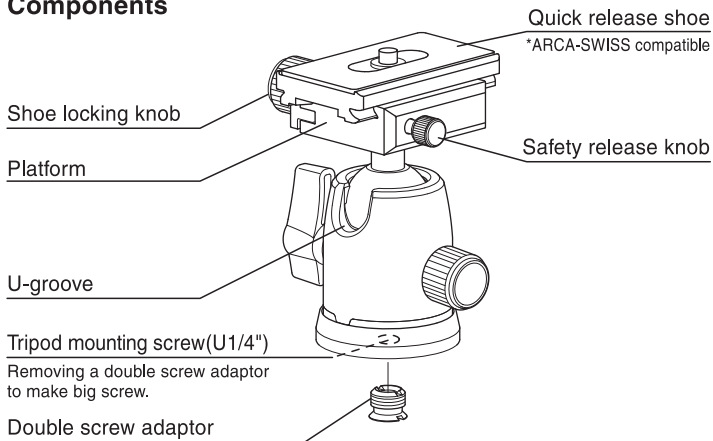
This caution icon refers to information pertaining to important safety procedures in preventing injuries, or damages which may occur as a result of mishandling this product.

🚫 Prohibition

This prohibited icon refers to information pertaining to prohibited contents. Please refer to instructions closely to avoid accidents.

Q587

Components



※Bubble level is a rough criterion.
It is not accurate as a leveler on a camera.

Equipment that can be loaded on this product

🚫 Prohibition

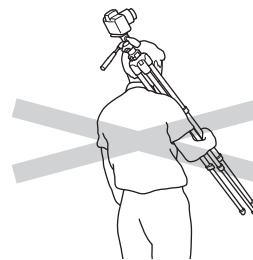
Maximum loading capacity
PBH-425DS 3 kgs (6.6 lbs)
PBH-525DS 4 kgs (8.8 lbs)

Do not overload.

This product has been designed to handle equipment weighing under the maximum loading capacity. Some equipments weighing under the maximum loading capacity may not balance well due to its weight distribution. Use a larger equipment in such case.

Carrying the tripod

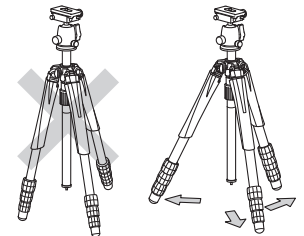
🚫 Prohibition



Carrying a tripod with a camera left on can result in unexpected accidents. We therefore, recommend you to remove your camera while carrying the tripod.

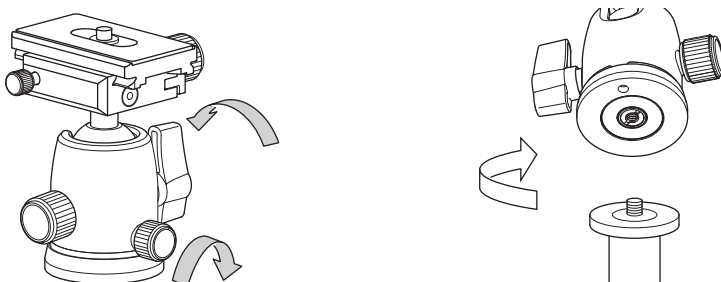
Setting up

⚠ Caution



To prevent accidental equipment fall or tripod tipping over, making sure all levers, knobs and handles on the tripod are securely tightened. And all of the three legs are opened all the way.

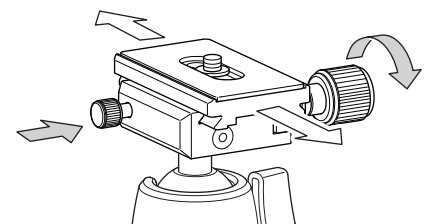
How to attach to tripod



Tighten the ball fixing lever and pan fixing knob. When a tripod mounting screw is U3/8", screw in the double screw adaptor.

Fasten the ball fixing lever and screw into a tripod mounting screw.

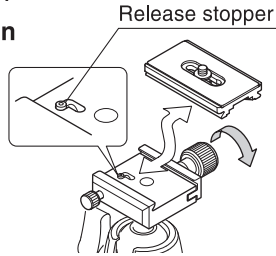
Removing the quick release shoe



Loosen the shoe locking knob. Slide out the quick release shoe from the platform while pushing the safety release knob.

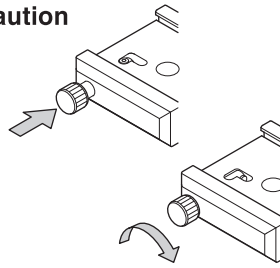
Removing the quick release shoe (continue)

⚠ Caution



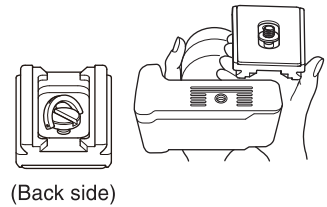
The quick release shoe can be removed from the top when the shoe locking knob is loosened fully, when the shoe locking knob is loosened fully, the release stopper mechanism does not work. Be careful not to come off the quick release shoe accidentally.

⚠ Caution



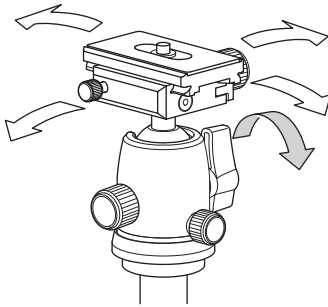
To make the release stopper ineffective, turn the safety release knob while pushing. When the release stopper is ineffective, be careful not to come off the quick release shoe accidentally.

Attaching a camera

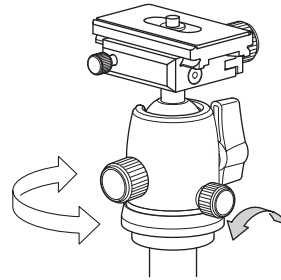


Screw the camera mounting screw on the tripod attachment screw of your camera and fix firmly.

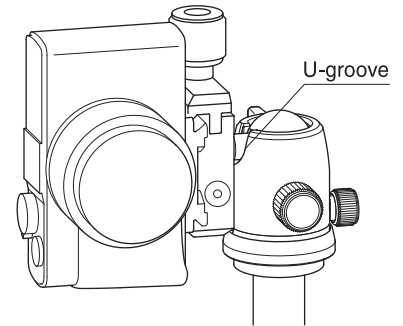
Operation



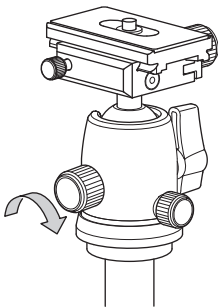
The platform can be moved freely while ball fixing lever is loosened. Tighten the ball fixing lever when a camera angle is determined.



When the pan fixing knob is loosened, the tripod head is rotated horizontally.

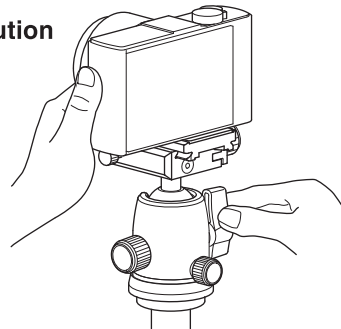


To set vertical camera position, place the platform into U-groove.



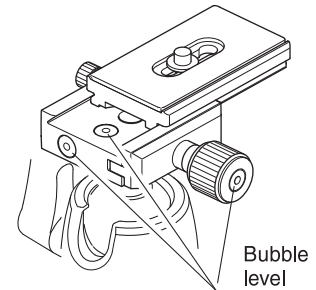
A friction is adjusted by the tension adjustment knob only when the ball fixing lever is loosened.

⚠ Caution



To loosen the ball fixing lever with a camera on can result an unexpected fall. Hold a camera firmly until the ball fixing lever is tightened.

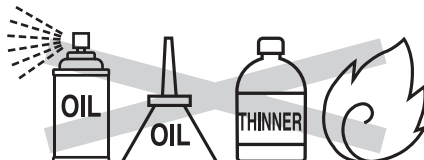
Bubble level



Adjust the bubble level to fit into center. The bubble level is a rough criterion. It is not accurate as a leveler on a camera.

Care of the product

- DO NOT apply any grease or oil to this product.
- Clean with a mild detergent and a soft cloth only.
- DO NOT use close to flame. Avoid extreme heat.



Slik Corporation reserves the right to make changes in design and/or improvements on the products without any obligation and advanced notice.

SLIK CORPORATION

853 Kayama, Hidaka City, Saitama 350-1231 Japan Phone 81-42-989-2141, Fax. 81-42-985-0210 ©2015