

Specification

Folded length	520 mm (20.5")
Max. operating height	95 mm (3.8")
Weight	1,200 g (2.7 lbs)
Tripod attachment female screw	U1/4" &/or U3/8"

Operating Instructions

Thank you very much for choosing SLIK Pan head. SLIK Corporation has designed your pan head to be a sturdy, rugged, dependable product that will provide you with many years of satisfactory use. Please take a few moments to read this operating instructions carefully before use so that you can take full advantage of your Pan head's many fine features. Retain this operating instruction in case you might want to refer back to it.

⚠ Caution

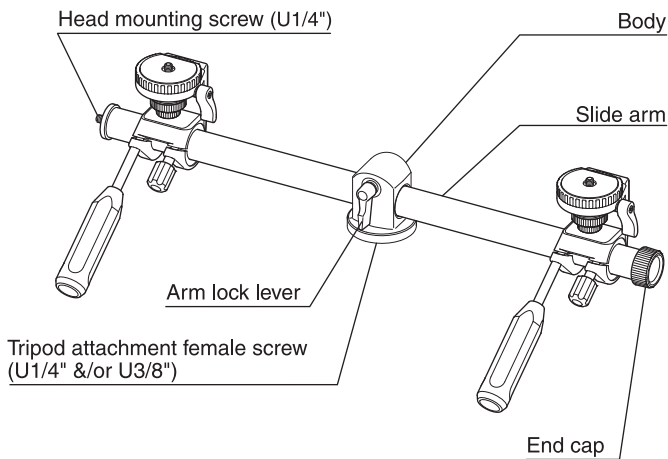
This caution icon refers to information pertaining to important safety procedures in preventing injuries, or damages which may occur as a result of mishandling this product.

🚫 Prohibition

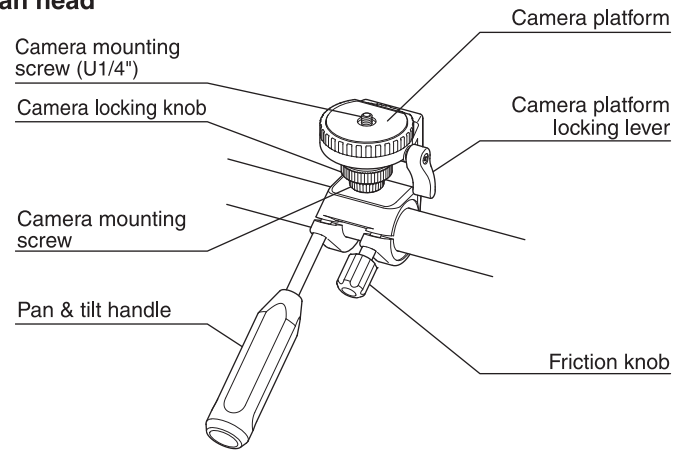
This prohibited icon refers to information pertaining to prohibited contents. Please refer to instructions closely to avoid accidents.

R104

Components



Pan head



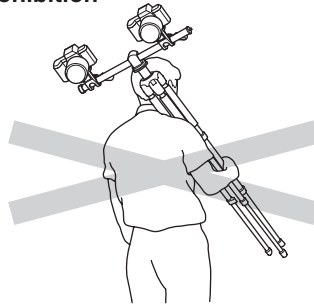
Equipment that can be loaded on this product

🚫 Prohibition

This product has been designed to handle equipment weighing under 4 kgs (8.9 lbs). Do not overload. Some equipments weighing under 4 kgs (8.9 lbs), such as long lenses, may not balance well due to its weight distribution. In such case, please use a larger tripod.

Carrying the tripod

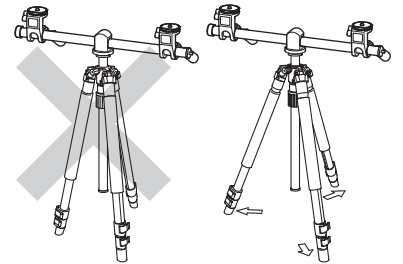
🚫 Prohibition



Carrying a tripod with a camera left on can result in unexpected accidents. We therefore, recommend you to remove your camera while carrying the tripod.

Setting up

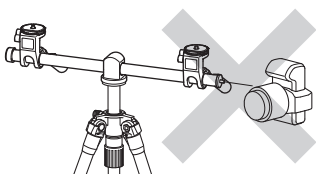
⚠ Caution



To prevent accidental equipment fall or tripod tipping over, making sure all levers, knobs and handles on the tripod are securely tightened. And all of the three legs are opened all the way.

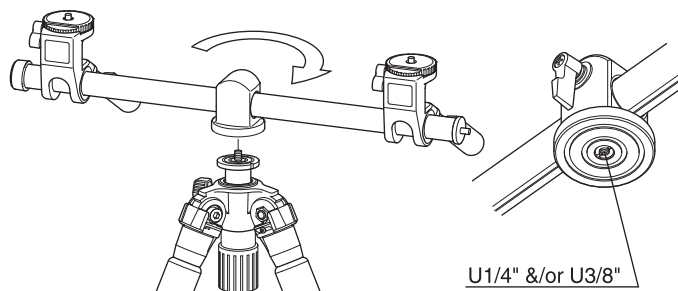
Pan head mounting screw

🚫 Prohibition



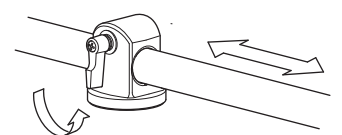
Do not attach a camera directly to the head mounting screw. This may damage both camera and tripod.

How to attach to a tripod



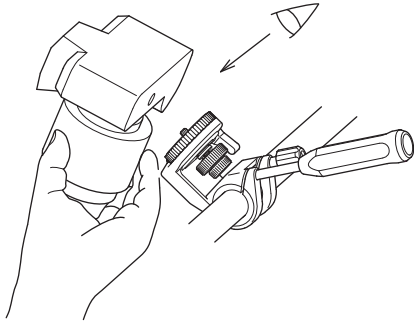
Set the head on the tripod's threaded post. Turn clockwise until it comes to a stop.

Arm lock lever

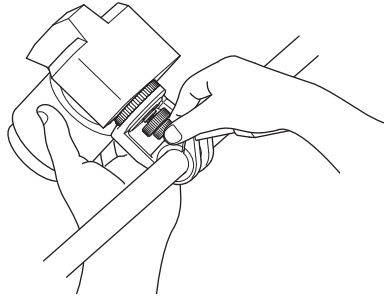


The arm can be slid when the arm lock lever is unlocked. When a position is determined, lock the arm lock lever firmly.

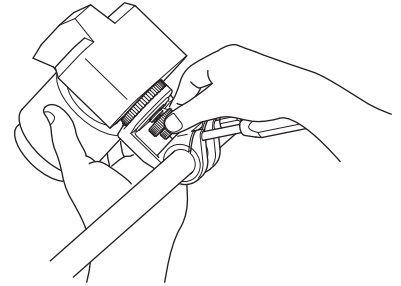
Attaching a camera



Move the pan head as your favorite position.

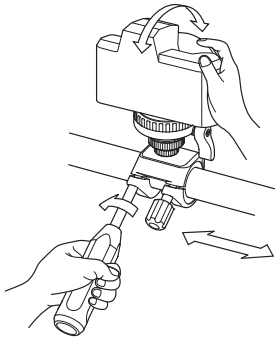


Hold the camera firmly when the camera mounting screw turn to engage the threads.

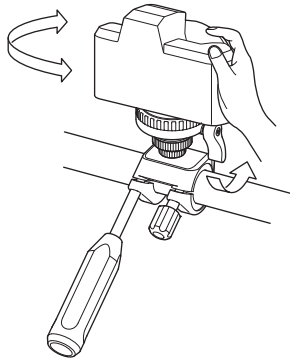


Lock the camera tightly with the camera locking knob.

Using the pan head

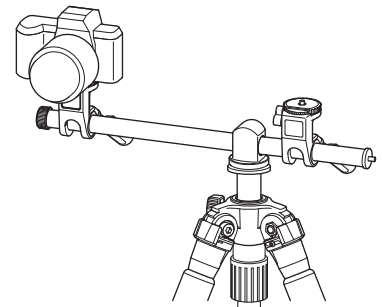


The pan head is tilted and moved right or left when the pan handle is unlocked. The friction knob controls frictions for the both of tilting and sliding.



The camera platform can be rotate 360 degree when the camera platform locking lever is unlocked.

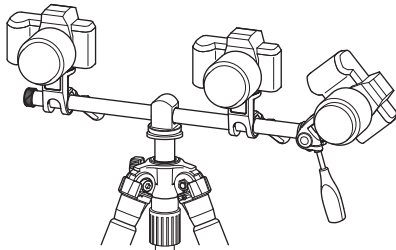
⚠ Caution



When the arm is stretched to the one direction, a tripod can loose the balance easily and may tip over. To prevent this, set your camera close to the body.

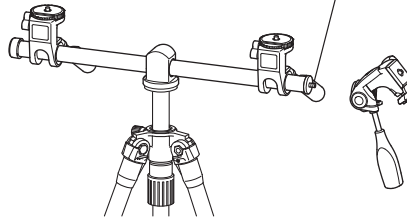
Attaching the pan head

⚠ Caution



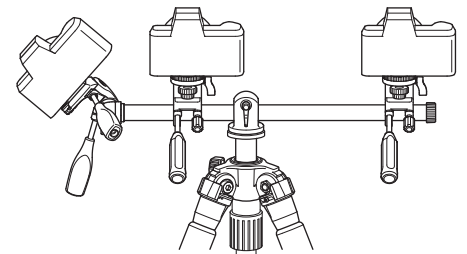
To mount the third equipments, attach another heads (sold separately) to the end of the slide arm. Please make sure not to exceed maximum loading weight for your tripod itself.

Head mounting screw (U1/4")



Attach a tripod head to the head mounting screw. The head mounting screw is U1/4".

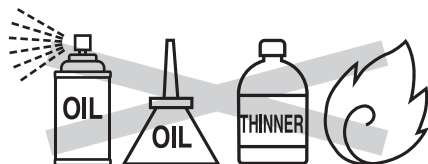
⚠ Caution



The tripod may be easily tipped over when the overall balance is broken. Pay an attention for a position of a tripod head, equipment weight and the arm length so the overall balance is always well.

Care of the tripod

- DO NOT apply any grease or oil to this product.
- Clean with a mild detergent and a soft cloth only.
- DO NOT use close to flame. Avoid extreme heat.



Slik Corporation reserves the right to make changes in design and/or improvements on the products without any obligation and advanced notice.

SLIK CORPORATION

853 Kayama, Hidaka City, Saitama 350-1231, Japan Phone 81-42-989-2141, Fax. 81-42-985-0210 ©2014