

Specification

Height	87mm (3 1/2")
Weight	350g (13oz)
Camera mounting screw	1/4"
Tripod attachment female screw	(1/4" &/or 3/8")

Operating Instructions

Thank you very much for choosing SLIK ball head.

SLIK Corporation has designed your ball head to be a sturdy, rugged, dependable product that will provide you with many years of satisfactory use.

Please take a few moments to read this operating instruction carefully before use so that you can take full advantage of your ball head's many fine features.

Retain this operating instruction in case you might want to refer back to it.

⚠ Caution

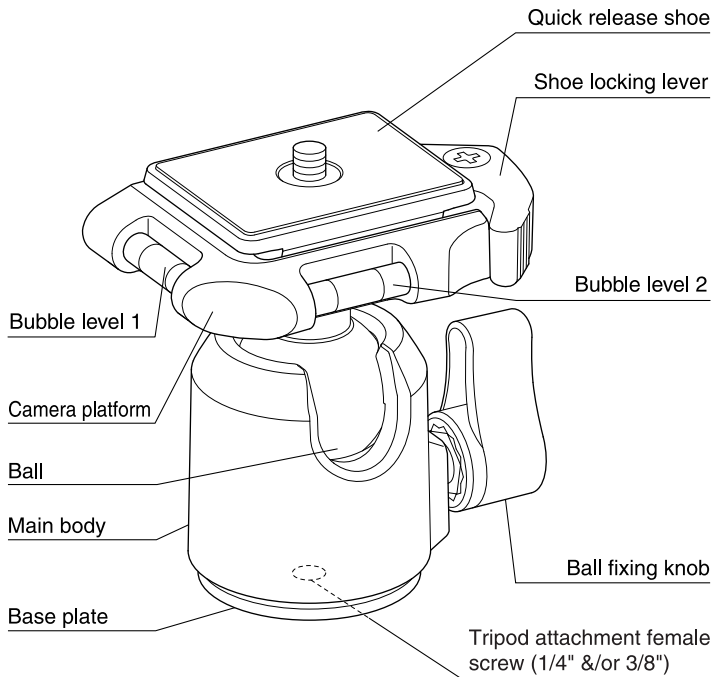
This caution icon refers to information pertaining to important safety procedures in preventing injuries, or damages which may occur as a result of mishandling this product.

⊘ Prohibition

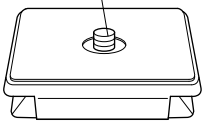
This prohibited icon refers to information pertaining to prohibited contents. Please refer to instructions closely to avoid accidents.

K494

Components

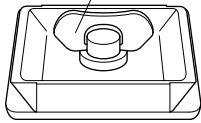


Camera mounting screw U1/4"



(Right side)

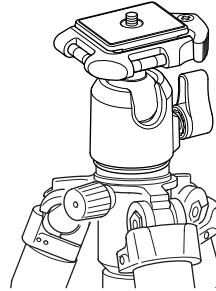
Camera mounting screw knob



(Back side)

Setting up

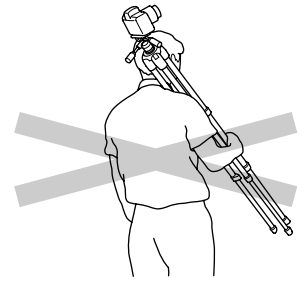
⚠ Caution



To prevent accidental equipment fall or tripod tipping over making sure all levers, knobs and handles on the tripod are securely tightened.

Carrying the tripod

⊘ Prohibition



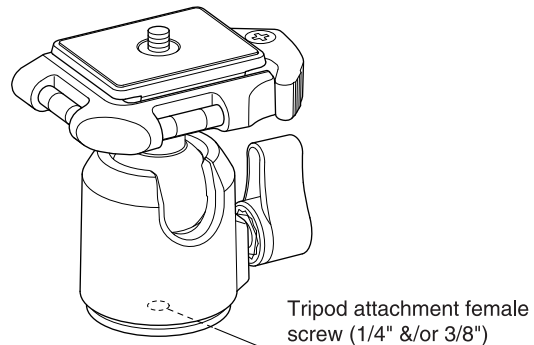
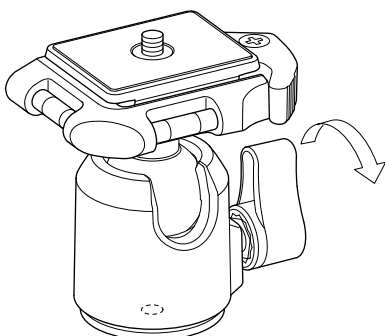
Carrying a tripod with a camera left on can result in unexpected accidents. We, therefore, recommend you to remove your camera while carrying the tripod.

Equipment that can be used with this Tripod

⊘ Prohibition

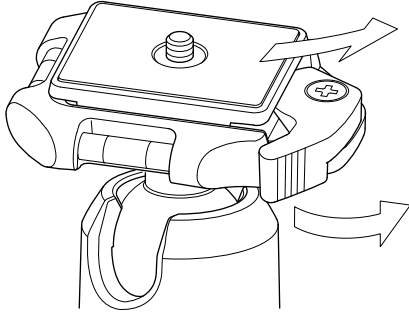
This product has been designed to handle equipment weighing under 5kgs (11lbs). Do not overload. Some equipment weighing under 5kgs (11lbs), such as long lenses, may not balance well due to its weight distribution. In such case, please use a larger tripod.

How to attach to tripod

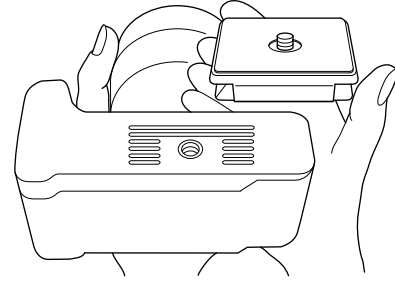


After fastening the ball fixing knob, the Tripod attachment female screw and the head attachment screw of tripod are set, and turn the head clockwise and thrust firmly.

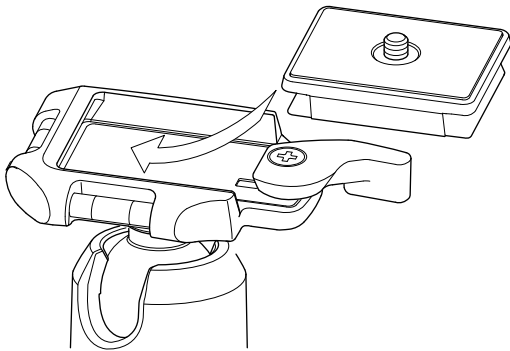
Attaching a Camera



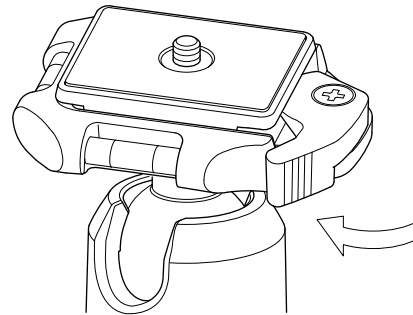
Remove the Quick release shoe turning the shoe locking lever. In this case, please do not put the shoe locking lever back by force as it has been stood by the stopper.



Insert the Camera mounting screw of the Quick release shoe in the place of the tripod attachment screw of your camera. Turn the Camera mounting screw knob and fix firmly.

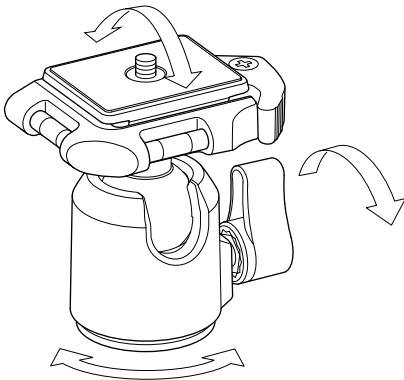


Attach the shoe slid aslant from the shoe locking lever. It will be closed automatically after attaching.

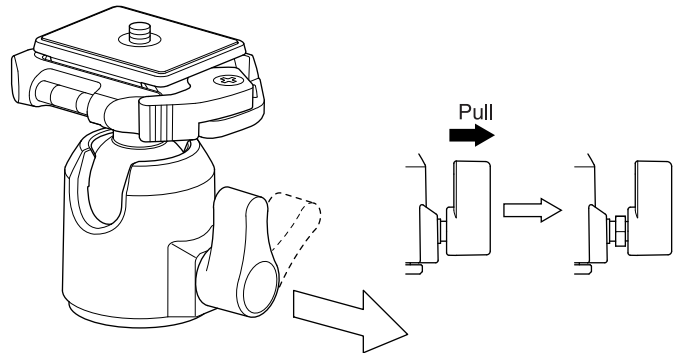


Fasten the shoe locking lever to the side of lever fixation. It will be certainly fixed.

Using the Ball Head



Camera platform and Base plate will be rotated when the ball fixing knob is loosened.



You can change a position of a Ball fixing knob. To change a position, turn the Ball fixing knob to your favorite position while pulling a Ball fixing knob itself.

Care of the Ball Head

- DO NOT apply any grease or oil to this product.
- Clean with a mild detergent and a soft cloth only.
- DO NOT use close to flame. Avoid extreme heat.



Slik Corporation reserves the right to make changes in design and/or improvements on the products without any obligation and advanced notice.