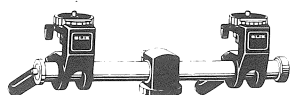


# SLIK®

## TRIPOD ACCESSORIES

For Use With Slik Universal and Other Tripods



### TWIN PAN CAMERA PLATFORM

Cat. No. 618-704

More versatile than Twin Camera Platform. Holds up to three cameras and/or accessories with two quick-adjusting pan heads. May be used to store small accessories.



### TWIN CAMERA PLATFORM II

Cat. No. 618-703

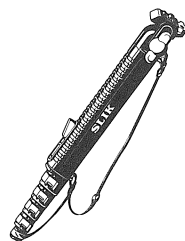
Designed for using two cameras and/or accessories on one tripod, will also support large format cameras. Also recommended for copy work.



### UNIPOD/EXTENSION POST

Cat. No. 618-718

Can be used as a unipod. Can also be used with tripods for extra extension.



### E-Z POD

Cat. No. 617-400

An Anti-Gravity Adjustment System maintains a precise balance with the weight of the video camera, so it's easy to exactly adjust the unipod to eye level.

Operating  
Instructions  
for your

# SLIK®

## SINGLE ACTION PANHEAD AF2100

PATENT

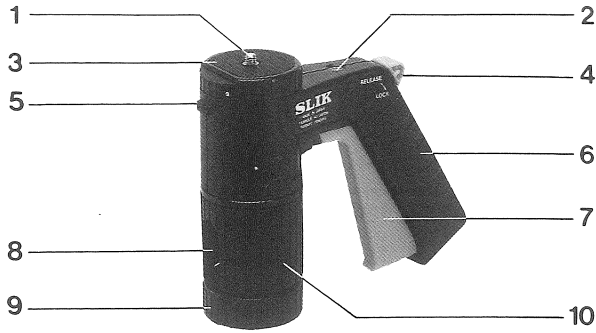
Congratulations on your purchase of a Slik Single Action Panhead. The Slik Tripod Company has designed your Single Action Panhead to be a sturdy, rugged, dependable product that will provide you with many years of satisfactory use.

Please take a few moments to read this instruction sheet carefully so you can take full advantage of your Pan Head's many fine features.



SLIK CORPORATION  
853 Kayama, Hidaka-shi, Saitama, 350-1231 Japan Phone 81-429-89-2141, Fax 81-429-85-0210

Printed in Japan



### SLIK AF2100 SINGLE ACTION PANHEAD

1. Camera Mounting Post
2. Bubble Level
3. Quick Release Rotating Camera Platform
4. Rotating Camera Platform Slide Lock
5. Quick Release Button
6. Grip
7. Multi-Movement Trigger
8. Vertical Tilt Collar
9. Panhead Base
10. Vertical Tilt Alignment Groove

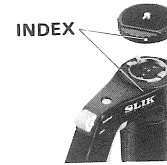
## Operating Instructions

### How to Mount Single Action Panhead

1. Hold Panhead Base with one hand and depress Multi-Movement Trigger with other hand. Attach Panhead Base to Center Column Threaded Post of the tripod, and rotate it clockwise to lock in position.
2. Release Multi-Movement Trigger and tighten Panhead Base securely. To remove Single Action Panhead reverse above procedure.

### How to remove & mount Quick Release Rotating Camera Platform

1. Move the rotating camera platform slide lock up.
2. Rotate the camera platform counterclockwise until it stops.
3. Depress Quick Release Button and hold in position while turning camera platform counterclockwise. Remove camera platform.
4. To remount camera platform, line up index dot on camera platform with index dot on top of panhead body. Depress Quick Release Button, insert camera platform into position and rotate clockwise.



### How to mount Camera

1. Remove camera platform from panhead
2. Position camera platform so that positioning index mark faces the front of your camera and align the threaded post with the tripod mounting socket of your camera. Tighten mounting wing nut securely.
3. Fold head of wing nut down and mount camera and platform on body of panhead.



### How to use Single Action Panhead

1. To rotate camera platform, move the platform slide lock up.
2. To lock camera platform into position, move the platform slide lock down until "POSITION INDEX" marks on the slide and on the handle are aligned.
3. Quick Release Platform rotates to allow you to use the Grip in any position you desire.
4. Once you have set your camera position, lock the camera platform by moving the platform slide lock down until the "POSITION INDEX" marks on the slide and on the handle are aligned.



### To set Panhead at different angles

Depress the Multi-Movement Trigger with one hand while holding Vertical Tilt Collar with other hand. Move camera into any shooting position you desire. When proper position is set, release the Trigger and the camera will be locked in the shooting position.

### To set Panhead at 90° Vertical Angle

Depress the Multi-Movement Trigger with one hand and, using other hand, move the Vertical Tilt Collar until the Vertical Tilt Alignment Groove is facing in the direction in which the camera is to be tilted 90°.

For complete freedom of movement, depress the Multi-Movement Trigger and unlock the camera platform.



### For Panoramic Photographs

Level your tripod by centering the Bubble within the red circle in the Bubble Level.

Release the Rotating Camera Platform Slide Lock and set desired panoramic angle.

### CAUTION:

Do not mount any camera directly on the Pan Head Mounting Post on top of the Center Column. The screw may be longer than tripod socket on your camera, and could possibly cause damage.

Do not use OIL or GREASE on any part of the Pan Head.

To clean your Pan Head use mild detergent and wipe with a soft cloth.

Do not leave Pan Head near excessive heat.

Specifications subject to change without notice.