

## Specification

Height	104mm (4 1/8")
Weight	360g (13oz)
Camera mounting screw	U1/4
Tripod attachment female screw	(1/4" &/or 3/8")

### Operating Instructions

Thank you very much for choosing SLIK ball head.

SLIK Corporation has designed your ball head to be a sturdy, rugged, dependable product that will provide you with many years of satisfactory use.

Please take a few moments to read this operating instruction carefully before use so that you can take full advantage of your ball head's many fine features.

Retain this operating instruction in case you might want to refer back to it.

#### ⚠ Caution

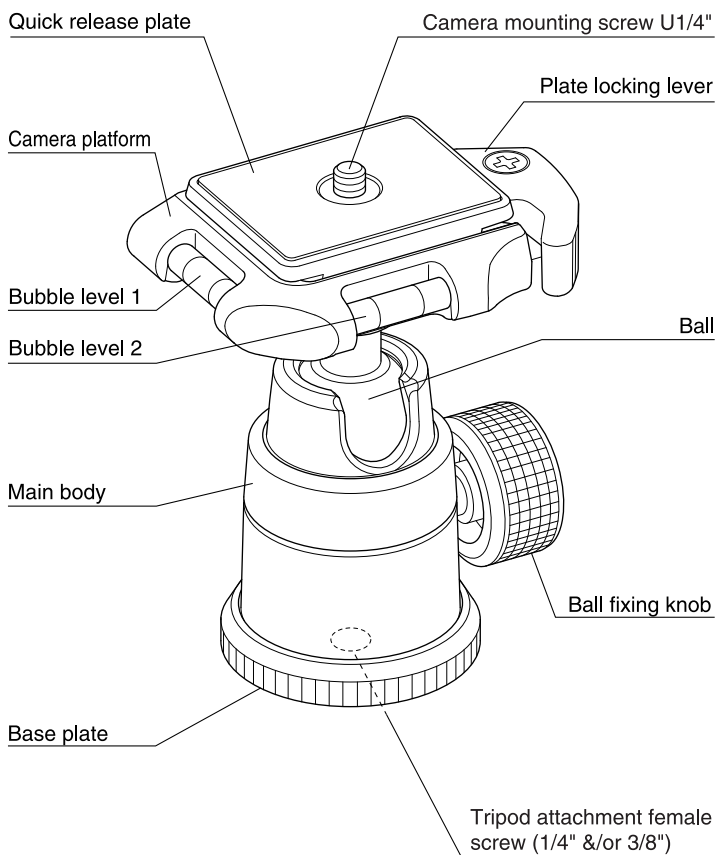
This caution icon refers to information pertaining to important safety procedures in preventing injuries, or damages which may occur as a result of mishandling this product.

#### 🚫 Prohibition

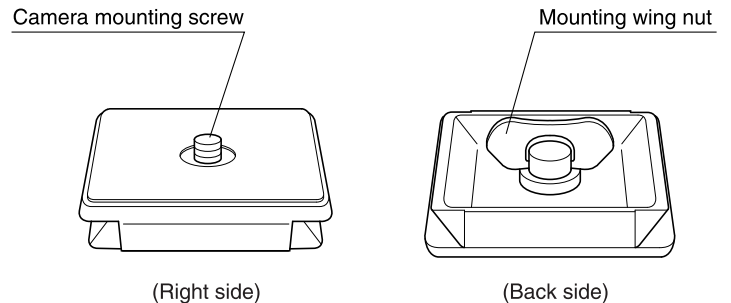
This prohibited icon refers to information pertaining to prohibited contents. Please refer to instructions closely to avoid accidents.

E900

## Components



## Quick release plate



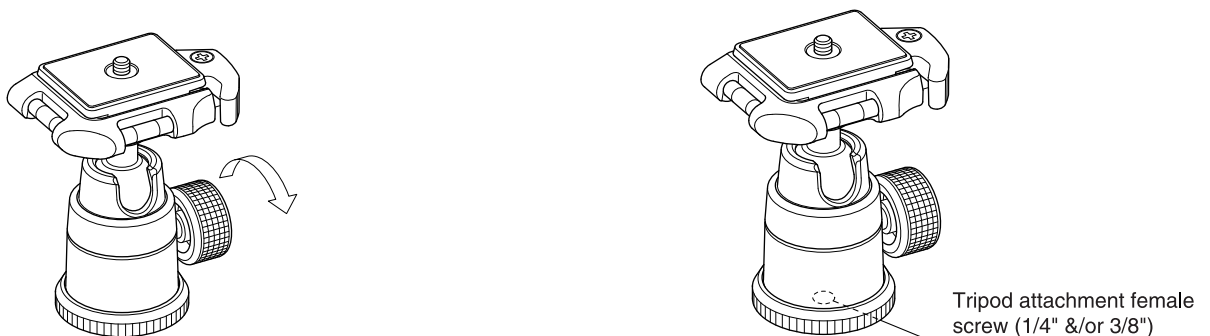
## Equipment that can be loaded on this ball head

#### 🚫 Prohibition

#### ⚠ Caution

This product has been designed to handle equipment weighing under 7 kgs (15 lbs 7oz). Do not overload. Some equipments weighing over 7 kgs (15 lbs 7oz), such as long lenses, may not balance well due to its weight distribution. In such case, please use a larger ball head.

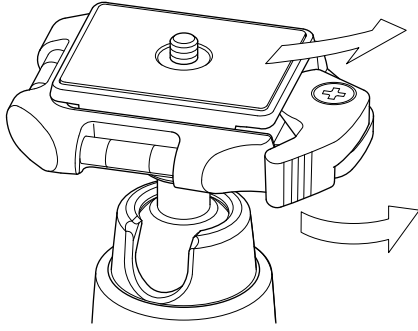
## How to attach to tripod



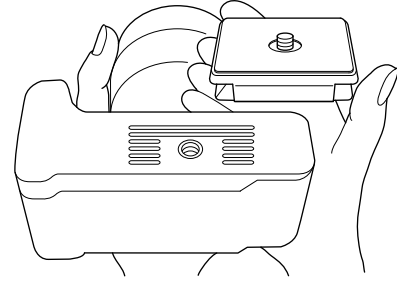
After fastening the ball fixing knob, the tripod attachment screw and the head attachment screw of tripod are set, and turn the head clockwise and thrust firmly.

---

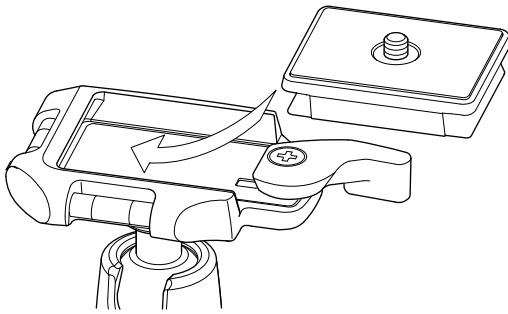
## Attaching a Camera



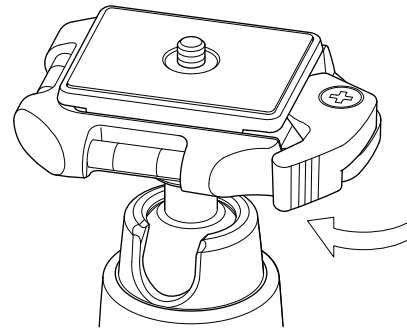
Remove the Quick release plate turning the plate locking lever. In this case, please do not put the plate locking lever back by force as it has been stood by the stopper.



Insert the Camera mounting screw of the Quick release plate in the place of the tripod attachment screw of your camera. Turn the Camera mounting screw knob and fix firmly.



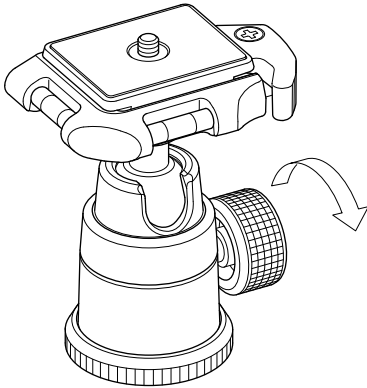
Attach the plate slid aslant from the plate locking lever. It will be closed automatically after attaching.



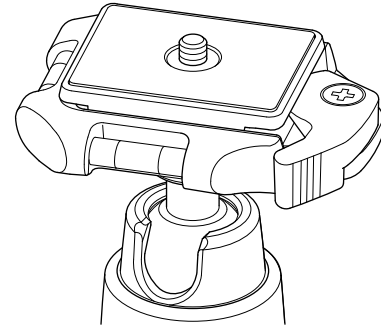
Fasten the plate locking lever to the side of lever fixation. It will be certainly fixed.

---

## Using the Ball Head



Camera platform and base plate will be rotated when the ball fixing knob is loosened.



Since two bubble levels are equipped this ball head, it is convenient to adjust inclination in the direction of front and rear, right and left.

---

## Care of the Ball Head

- DO NOT apply any grease or oil to this product.
- Clean with a mild detergent and a soft cloth only.
- DO NOT use close to flame. Avoid extreme heat.



---

Slik Corporation reserves the right to make changes in design and/or improvements on the products without any obligation and advanced notice.