

## Specification

|                         |                      |
|-------------------------|----------------------|
| MASTER 67               |                      |
| Length folded           | 745mm<br>(29 1/3")   |
| Max. operating height   | 1,800mm<br>(70 5/6") |
| Max. center column ext. | 270mm<br>(10 2/3")   |
| Weight                  | 3.5kg<br>(7lbs 10oz) |
| MASTER CLASSIC          |                      |
| Length folded           | 640mm<br>(25 1/6")   |
| Max. operating height   | 1,620mm<br>(63 3/4") |
| Max. center column ext. | 305mm<br>(12")       |
| Weight                  | 2.5kg<br>(5lbs 8oz)  |

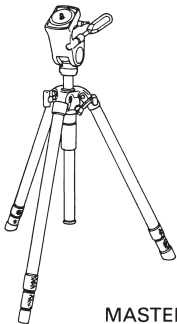
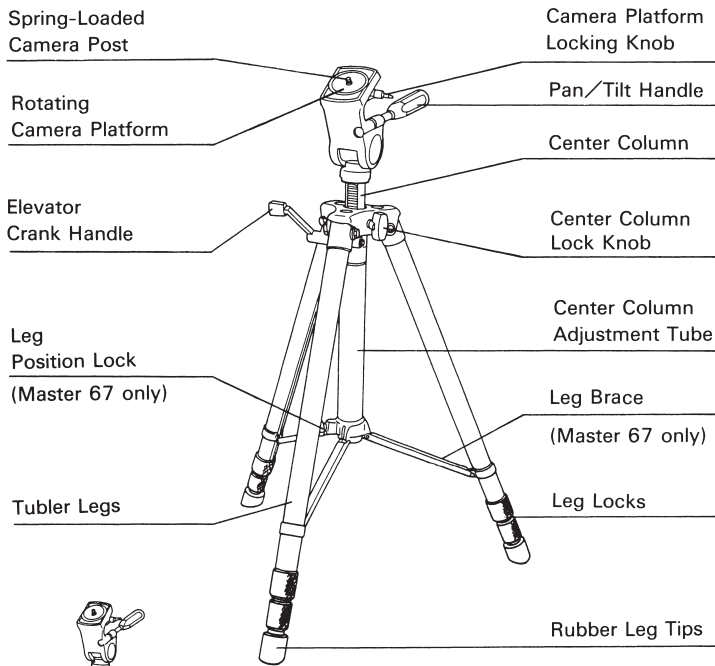
## Operating Instructions

Congratulations on the purchase of a Slik Master Series Tripod. The Slik Corporation has designed your tripod to be a sturdy, rugged, dependable product that will provide you with many years of satisfactory use.

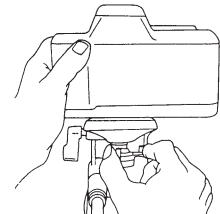
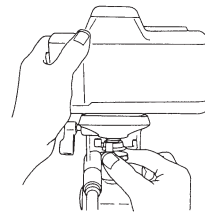
Please take a few moments to read this instruction sheet carefully so you can take full advantage of your Tripod's many fine features.

6857U

## Components



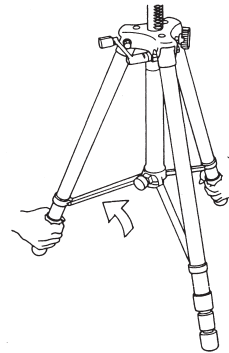
## Mounting Camera to Camera Platform



Position the tripod socket in the bottom of your camera on the camera post of your tripod. Turn the lower Camera Lock Ring of the dual-action locking system counterclockwise, until it stops (do not force it beyond this point). Then turn it clockwise 1/4 turn.

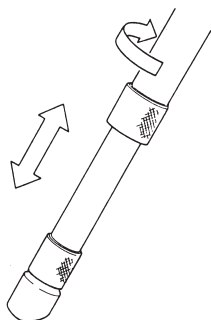
Now turn the upper Positive Locking Collar counterclockwise to secure your camera firmly in position.

## Setting-up the Tripod (MASTER 67 Only)



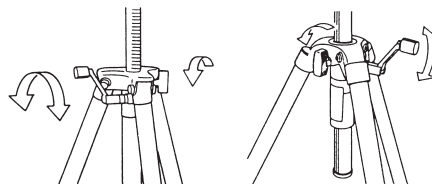
Extend legs by loosening Leg Position Lock pulling legs out to desired length. With one leg resting on the floor, raise the other two legs and pull them out to open the tripod. After opening, turn the Leg Position Lock clockwise.

## Extending the Tripod Legs



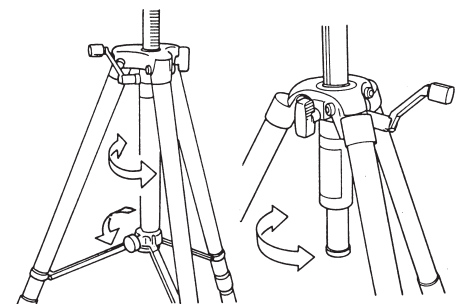
Release the leg locks by rotating them one half turn. Because legs are grooved, the leg locks can be released in any order.

## Elevating the Center Column



Loosen the Center Column Lock Knob by turning it counterclockwise. To raise the Center Column, turn the Elevator Crank Handle clockwise. When the desired height is reached, turn the Center Column Lock Knob clockwise to lock it in place. The Elevator Crank Handle folds out of the way for easy carrying and storage. To lower the Center Column, loosen the Center Column Lock Knob by turning it counterclockwise and turn the Elevator Crank Handle counterclockwise.

## Adjusting Elevation Tension

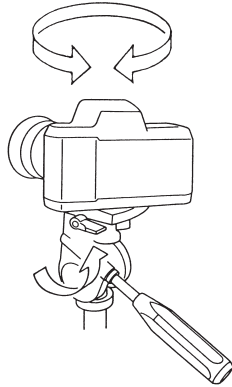


Use the Center Column Tension Adjustment Tube located around the Center Column to compensate for varying camera weights. Rotate the tube counterclockwise to increase tension. Raise and lower the Center Column to check the tension as you adjust it to your satisfaction.

## Using the "Multi-Motion" Head

The "Multi-Motion" Head gives you the opportunity to pan and tilt simultaneously or individually. This permits you to take pictures at any angle you wish. You have instantaneous movement toward any subject with all "blind spots" eliminated. Here's how it works:

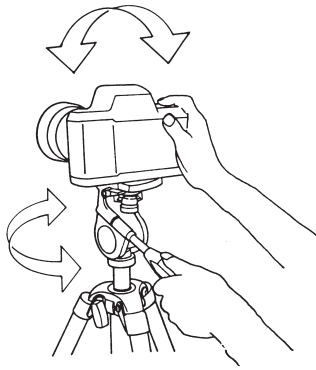
A. With your camera mounted on the Camera Platform, see "**Mounting Camera to Camera Platform**" raise the Camera Platform Locking Knob to the horizontal "release" position.



When you unlock the Camera Platform Locking Knob, by raising it to the horizontal "release" position, the camera is free to rotate.

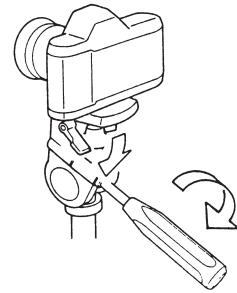
B. Hold your camera with your right hand, as the camera is free to rotate at this time. Continue to hold your camera until you are ready to take the picture.

C. Unlock the Pan/Tilt Handle by turning counterclockwise. Now you can pan (left and right) and tilt (up and down) simultaneously, giving you the total "Multi-Motion" freedom to shoot at any angle. Continue to hold your camera with your right hand.



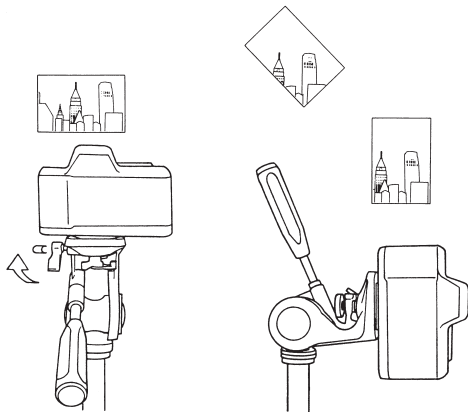
When you unlock the Pan/Tilt Handle your camera is free to move up and down. When the Pan/Tilt Handle is unlocked, you can pan and tilt simultaneously.

D. After you have set your shooting angle and you are ready to take your picture, lock the Pan/Tilt Handle by turning it clockwise. Then lock the Camera Platform Lock Knob by turning clockwise.



Please Do not force or overtighten the Camera Platform Locking Lever.

## To Take a 90° Vertical Photo



*Unlock* the Camera Platform Locking Knob by raising it to the horizontal "release" position. While holding your camera with your right hand, so that it continues to face your subject, unlock the Pan/ Tilt Handle and rotate 90° to your left. Now raise the handle until it stops, continuing to hold your camera. Your camera is now in a vertical shooting position on the right side of the tripod.

Lock the Pan/Tilt Handle and the Camera Platform Locking Knob to keep your camera securely in this 90° vertical position. If you wish to set up a vertical shooting position on the left side of the tripod, follow the same procedure, except rotate the Pan/Tilt Handle 90° to your right before raising it. Again, continue to hold your camera until you lock the Pan/Tilt Handle and the Camera Platform Locking Knob.

## Care of the Tripod

- DO NOT apply any grease or oil to this product.
- Clean with a mild detergent and a soft cloth only.
- DO NOT use close to flame. Avoid extreme heat.



Slik corporation reserves the right to make changes in design and/or improvements on the products without any obligation and advanced notice.