

Operating Instructions

Thank you very much for choosing SLIK Carbon Series Tripod. The SLIK Corporation has designed your tripod to be a sturdy, rugged, dependable product that will provide you with many years of satisfactory use.

Please take a few moments to read this operating instruction carefully before use so that you can take full advantage of your Tripod's many fine features.

Retain this operating instruction in case you might want to refer back to it.

⚠ Caution

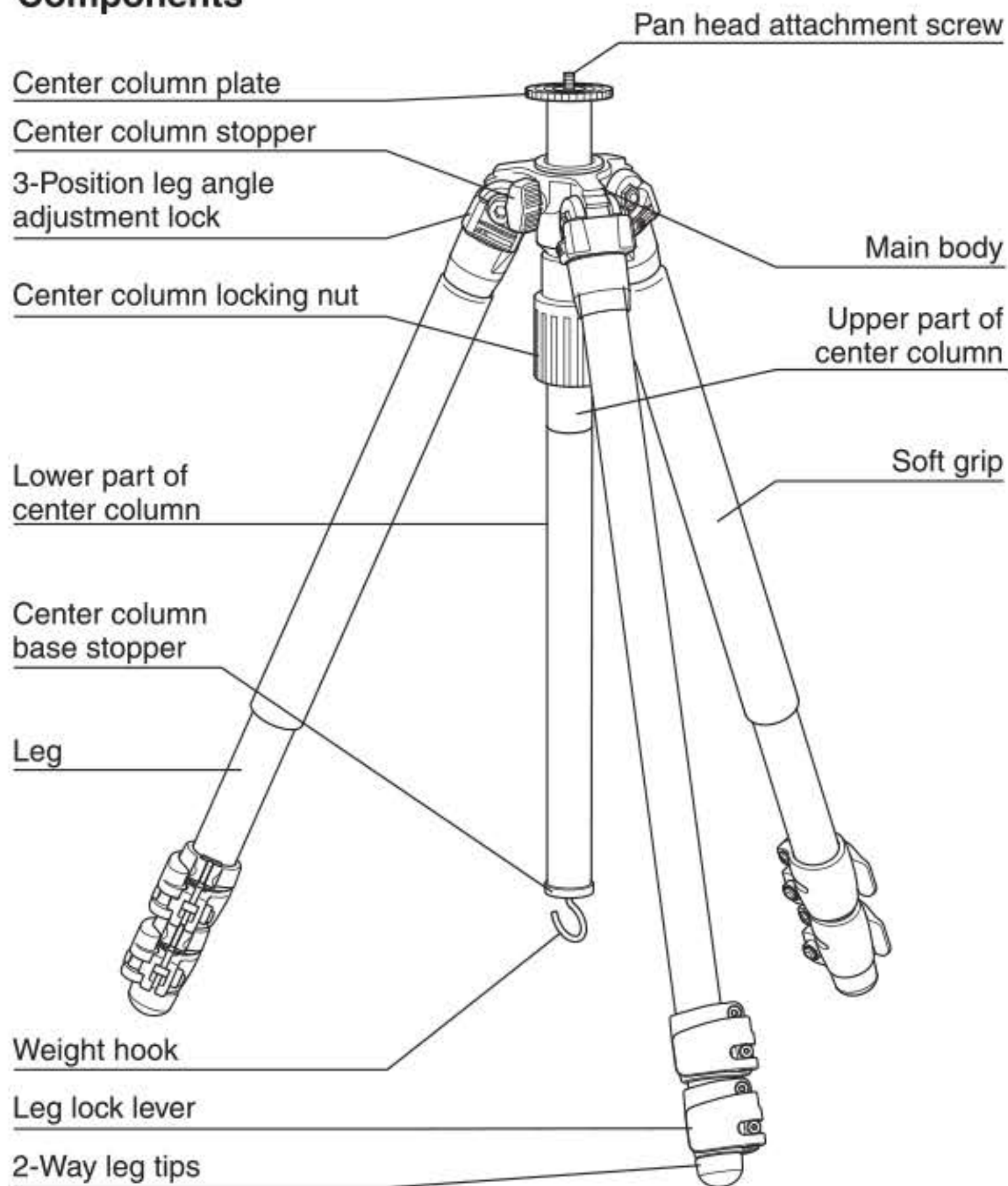
This caution icon refers to information pertaining to important safety procedures in preventing injuries, or damages which may occur as a result of mishandling this product.

🚫 Prohibition

This prohibited icon refers to information pertaining to prohibited contents. Please refer to instructions closely to avoid accidents.

M852-1

Components



PRO 823CFL

⚠ Caution

- ※Soft grip is consumables. Replace when it is worn out.
- ※Color of the soft grip can be stained. Keep out from objects.

In case of the shock given to tripod by force

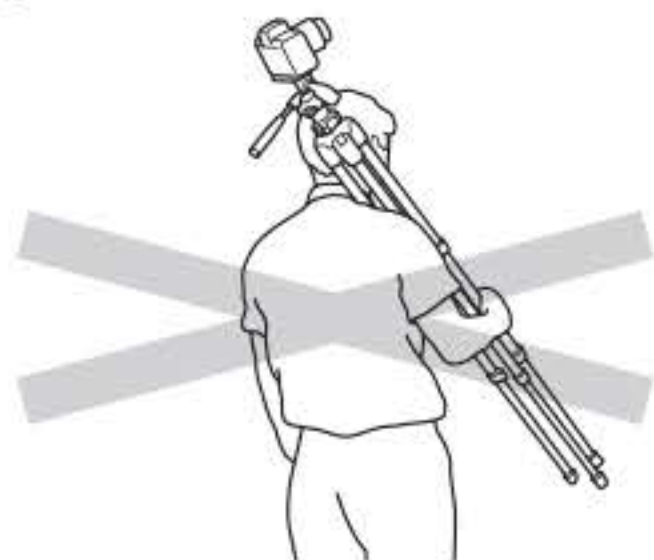
⚠ Caution

When the shock has been given to the tripods and legs such as falling down, please check well whether there are cracks, flaws, etc. on the pipes or not.

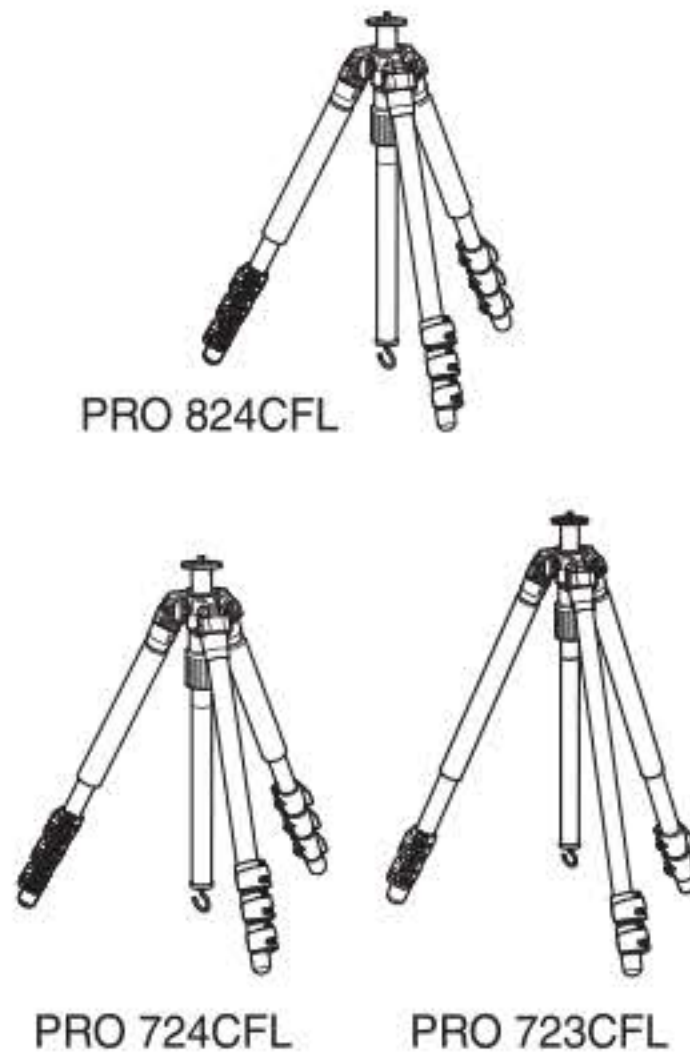
When you find some cracks, flaws, etc. on the pipes, stop to use it and ask to repair. It may be wounded when some of fibers came out from the pipes. In that case do not touch it.

Carrying the tripod

🚫 Prohibition

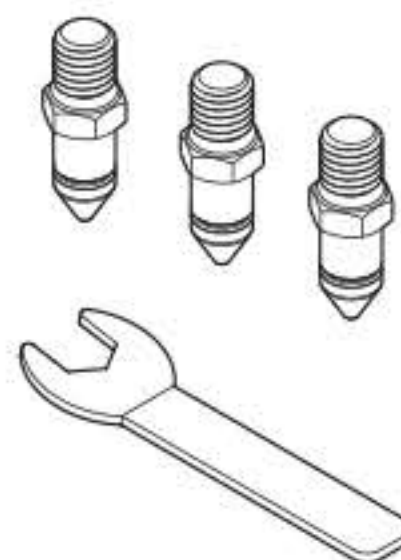


Carrying a tripod with a camera left on can result in unexpected accidents. We, therefore, recommend you to remove your camera while carrying the tripod.



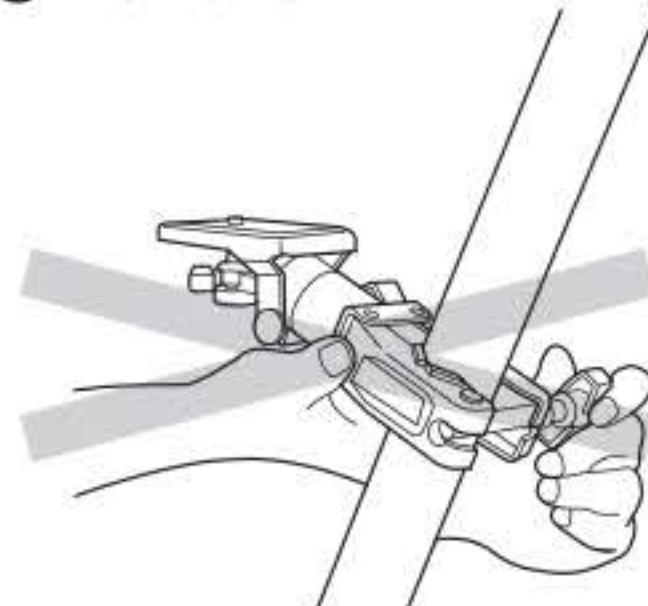
Optional Accessory

SPIKE SET
Cat. NO. 618-410



Clamp head

🚫 Prohibition



Do not use an optional clamp head for a carbon fiber tripod. The pipe may be damaged.

Specification

PRO 823CFL	
Max. operating height	1,640 mm (64.5in)
Max. center column ext.	320 mm (12.5in)
Folded length	620 mm (24.5in)
Weight	1,810 g (4lbs)
PRO 824CFL	
Max. operating height	1,570 mm (61.8in)
Max. center column ext.	320mm (12.5in)
Folded length	505 mm (19.9in)
Weight	1,860 g (4.2lbs)
PRO 723CFL	
Max. operating height	1,621 mm (63.8in)
Max. center column ext.	350mm (13.7in)
Folded length	590mm (23.3in)
WeightL	1,570 g (3.5lbs)
PRO 724CF	
Max. operating height	1,576 mm (62in)
Max. center column ext.	325mm (12.7in)
Folded length	496 mm (19.6in)
Weight	1,640 g (3.7lbs)

Equipment that can be loaded on this tripod

Maximum loading capacity:

PRO 823CFL : 7kg

PRO 824CFL : 7kg

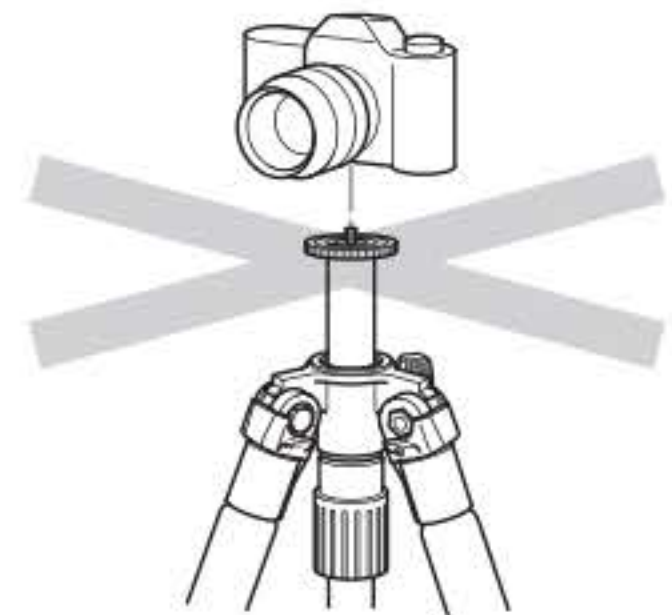
PRO 723CFL : 5kg

PRO 724CFL : 5kg

Do not exceed the specified loading capacity.

Pan head mounting post

🚫 Prohibition



Do not attach a camera directly to the Pan head attachment screw. This may damage both your camera and tripod.

Setting up

⚠ Caution



To prevent accidental equipment fall or tripod tipping over, making sure all levers, knobs and handles on the tripod are securely tightened. And all of the three legs are opened all the way.