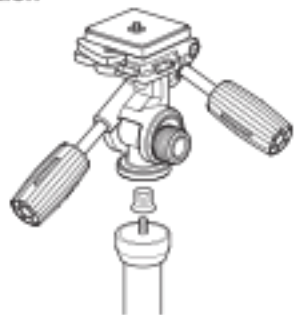
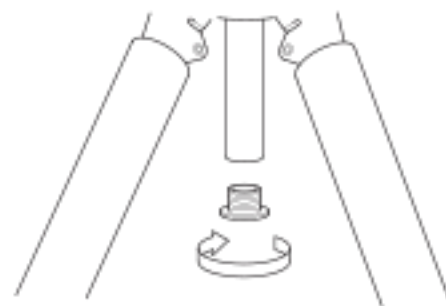


Inverting the center column

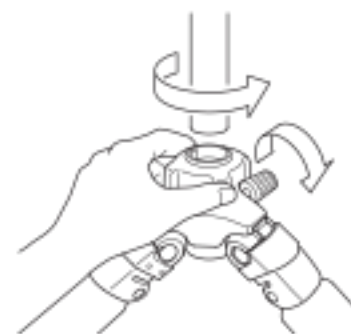
Caution



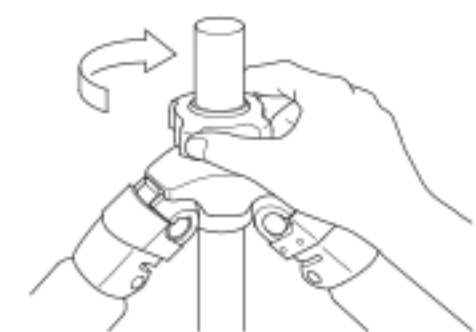
Always remove the pan head first before replacing the center column.



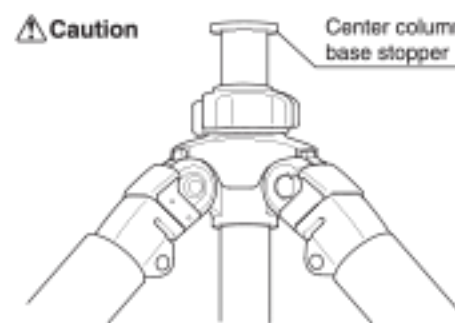
Remove the center column base stopper from the bottom of the center column.



Loosen the center column stopper and the locking collar, and then pull out the center column.



Insert the center column from lower side of main body, and tighten the locking collar and the center column stopper.

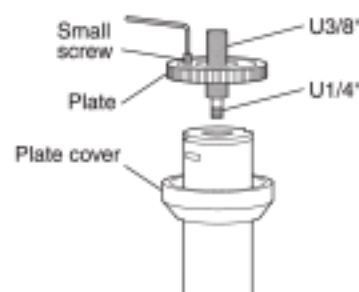


Always be sure to return the center column base stopper back on the center column. This prevents the center column pulled out accidentally.

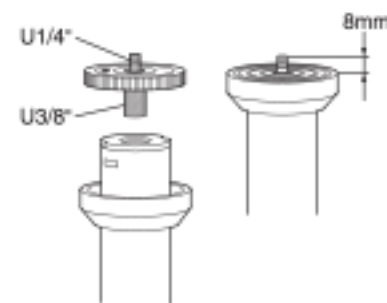


By inverting the center column, it is possible to do copy and close up work.

How to change the pan head fixing screw



The pan head fixing screw is reversible for either large thread (U3/8) or small thread (U1/4).
 1. Move the plate cover down.
 2. Loosen the small screw in about three turnings with an allen wrench (2.5mm width).
 3. Loosen the plate without removing the small screw.



4. Loosen the pan head fixing screw and pull it out. Then, screw it in again after reversing top and bottom.
 5. Adjust the height of screw in approx. 8mm above the plate, and then tighten the small screw by an allen wrench.
 6. Put the plate cover back.

Care of the tripod

- DO NOT apply any grease or oil to this product.
- Clean with a mild detergent and a soft cloth only.
- DO NOT use close to flame. Avoid extreme heat.



Slik Corporation reserves the right to make changes in design and/or improvements on the products without any obligation and advanced notice.

SLIK®

PRO 780DX, PRO 580DX Tripod

Operating Instructions

Thank you very much for choosing SLIK PRO780DX, PRO580DX Tripod. The SLIK Corporation has designed your tripod to be a sturdy, rugged, dependable product that will provide you with many years of satisfactory use. Please take a few moments to read this instruction sheet carefully before use so that you can take full advantage of your Tripod's many fine features. Retain this instruction sheet in case you might want to refer back to it.

Caution

This caution icon refers to information pertaining to important safety procedures in preventing injuries, or damages which may occur as a result of mishandling this product.

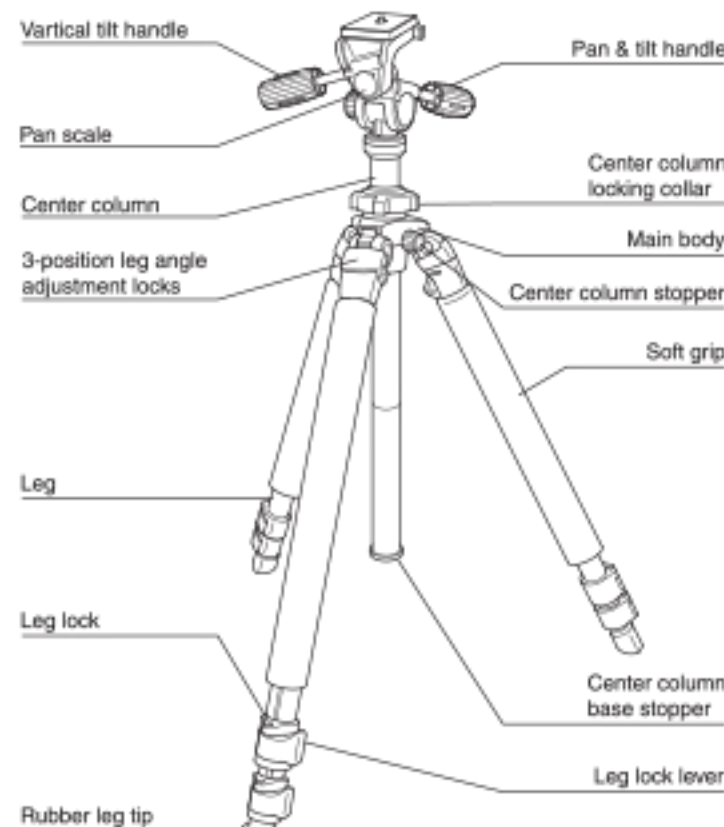
Prohibition

This prohibited icon refers to information pertaining to prohibited contents. Please refer to instructions closely to avoid accidents.

Specification

PRO 780DX	
Folded length	815mm (32.1in)
Max. operating height	1,930mm (75.9in)
Max. center column ext.	380mm (14.9in)
Weight	3,670g (8.1lbs)
PRO 580DX	
Folded length	730mm (28.8in)
Max. operating height	1,679mm (66in)
Max. center column ext.	260mm (10.2in)
Weight	2,780g (6.2lbs)

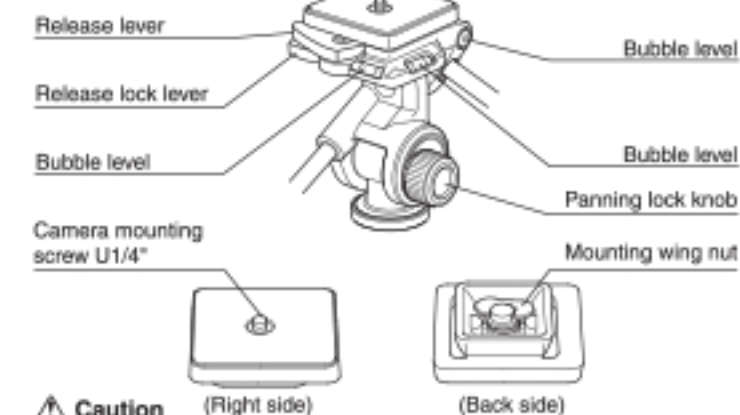
Components



Caution

※Soft grip is consumables. Replace when it is worn out.
 ※Color of the soft grip can be stained. Keep out from objects.

Pan head



Caution

※The bubble levels are a rough criterion. It is not accurate as a leveler on a camera.

Equipment that can be loaded on this tripod

Maximum loading capacity.
 PRO 780DX : 10kg
 PRO 580DX : 7kg



PRO 580DX

Do not exceed the specified loading capacity.

Pan head mounting post

Prohibition



Do not attach a camera directly to the attachment screw of the center column. This may damage both your camera and tripod.

Setting up

Caution

Prohibition



To prevent accidental equipment fall or tripod tipping over making sure all levers, knobs and handles on the tripod are securely tightened, and all three legs are opened all the way.

Carrying the tripod

Prohibition



Carrying a tripod with a camera left on can result in unexpected accidents. We, therefore recommend you to remove your camera while you are carrying the tripod.