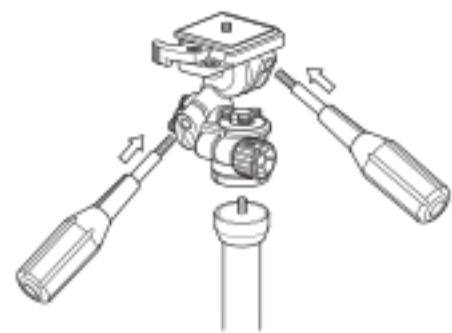
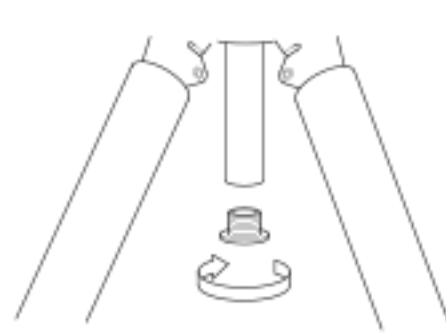


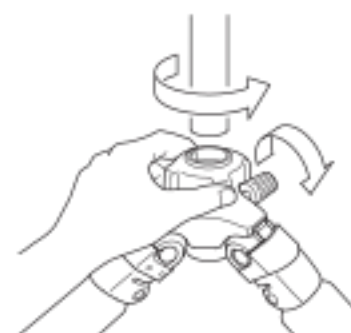
Inverting the center column



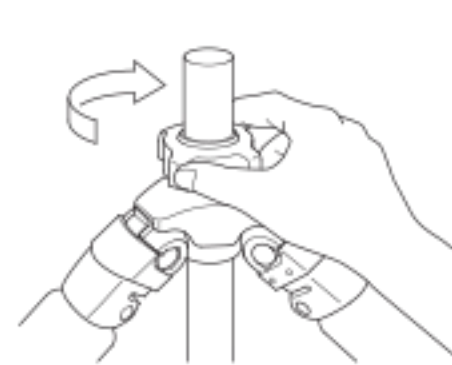
Always remove the pan head first before replacing the center column.



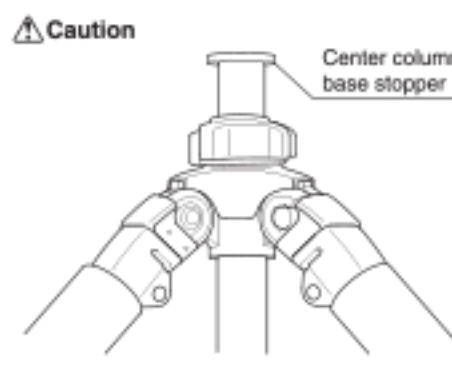
Remove the center column base stopper from the bottom of the center column.



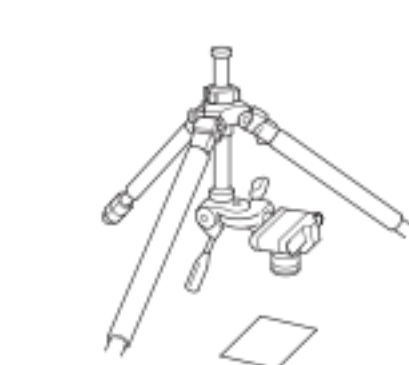
Loosen the center column stopper and the locking collar, and then pull out the center column.



Insert the center column from lower side of main body, and tighten the locking collar and the center column stopper.

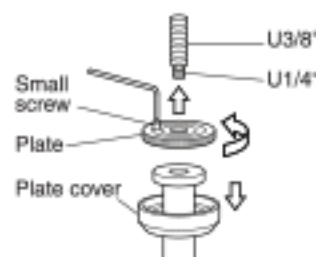


Always be sure to return the center column base stopper back on the center column. This prevents the center column pulled out accidentally.



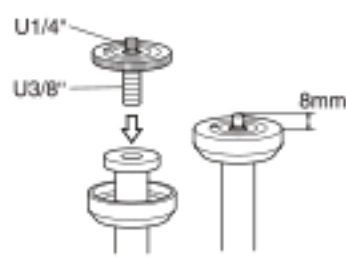
By inverting the center column, it is possible to do copy, and close up work.

How to change the pan head fixing screw



The pan head fixing screw is reversible for either large thread (U3/8") or small thread (U1/4").

- ① Move the plate cover down.
- ② Loosen the small screw in about three turnings with an allen wrench (2.5mm width).
- ③ Loosen the plate without removing the small screw.



- ④ Loosen the head fixing screw and pull it out. Then screw it in again after reversing the top and the bottom.
- ⑤ Adjust the height of screw in approx. 8mm above the plate. Then tighten the small screw by an allen wrench.
- ⑥ Put the plate cover back.

Care of the tripod

- DO NOT apply any grease or oil to this product.
- Clean with a mild detergent and a soft cloth only.
- DO NOT use close to flame. Avoid extreme heat.



Slirk Corporation reserves the right to make changes in design and/or improvements on the products without any obligation and advanced notice.

SLIK CORPORATION
853 Kayama, Hidaka City, Saitama 350-1231, Japan Phone 81-42-989-2141, Fax. 81-42-985-0210 ©2015

SLIK®

PRO 500HD Tripod

Operating Instructions

Thank you very much for choosing SLIK PRO 500HD Tripod. The SLIK Corporation has designed your tripod to be a sturdy, rugged, dependable product that will provide you with many years of satisfactory use. Please take a few moments to read these operating instructions carefully before use so that you can take full advantage of your Tripod's many fine features. Retain this operating instruction sheet in case you might want to refer back to it.

⚠ Caution

This caution icon refers to information pertaining to important safety procedures in preventing injuries, or damages which may occur as a result of mishandling this product.

🚫 Prohibition

This prohibited icon refers to information pertaining to prohibited contents. Please refer to instructions closely to avoid accidents.

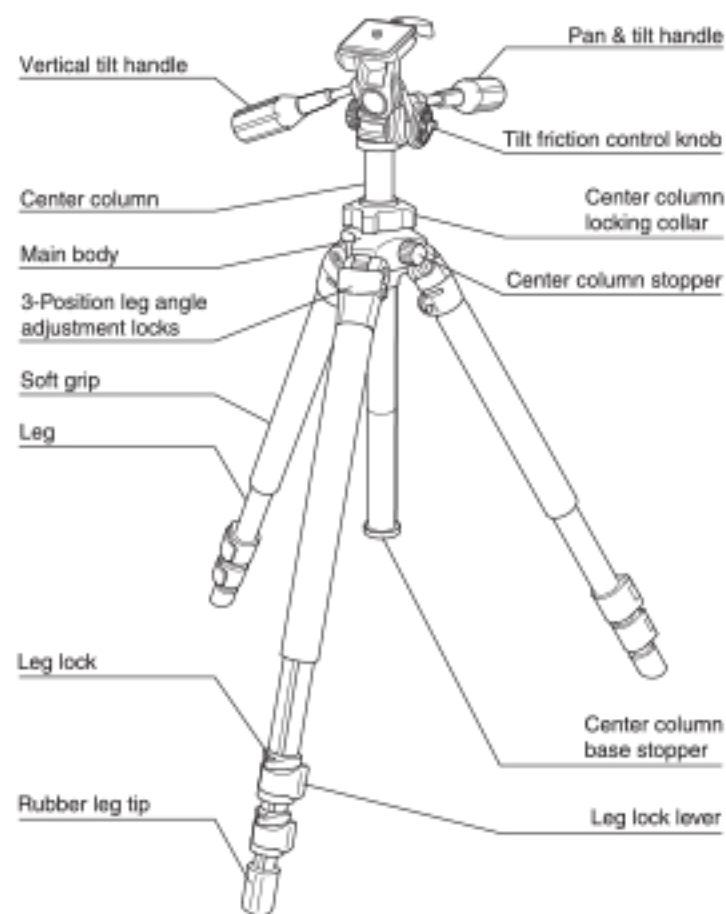
Specification

Length folded	710mm (28in)
Max. operating height	1,649mm (64.8in)
Max. center column ext.	260mm (10.2in)
Weight	2,680kg (6lbs)

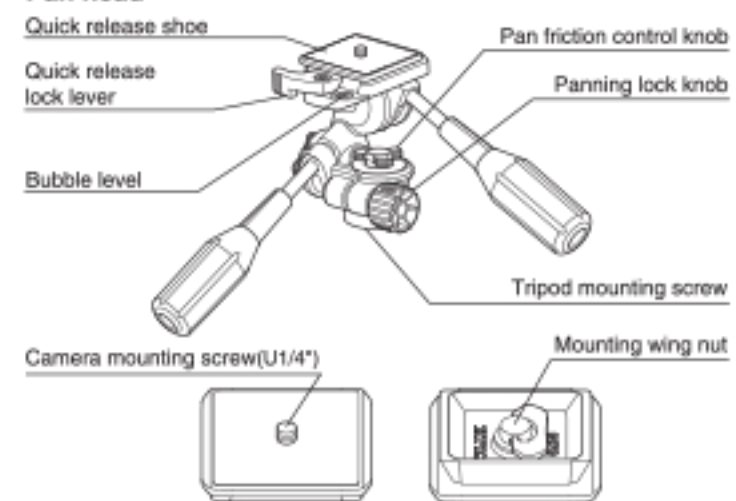
M463-1

With exclusive case

Components



Pan head



Equipment that can be used with this tripod

This product has been designed to handle an equipment weighing under 5 kg (11 lbs). Do not overload. The friction control system is valid for an equipment weighing under 2 kg (4.4 lbs). Some equipment weighing under 5 kg (11 lbs), such as a long lens, may not be balanced well due to its weight distribution. In such case, please choose a larger pan head.

⚠ Caution

- ※ Soft grip is consumables. Replace when it is worn out.
- ※ Color of the soft grip can be stained. Keep out from objects.

Pan head mounting post

🚫 Prohibition



Do not attach camera directly to the threaded post of the center column. This may damage both of camera and tripod.

Setting up

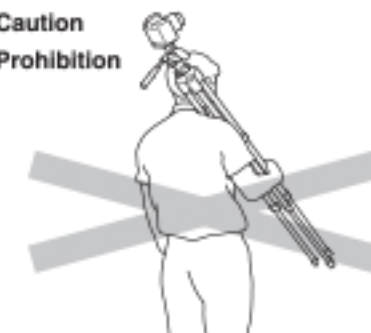
- ⚠ Caution
- 🚫 Prohibition



To prevent accidental equipment fall or tripod tipping over making sure all levers, knobs and handles on the tripod are securely tightened, and all three legs are opened all the way.

Carrying the tripod

- ⚠ Caution
- 🚫 Prohibition



Carrying a tripod with a camera left on can result in unexpected accidents. We, therefore recommend you to remove your camera while you are carrying the tripod.