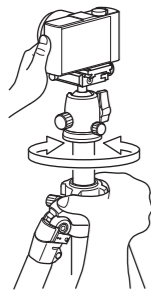
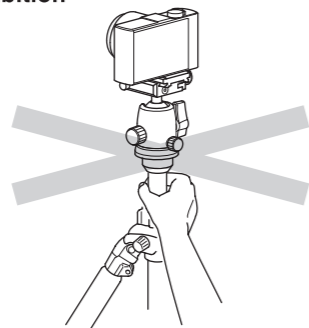


## Operating the center column

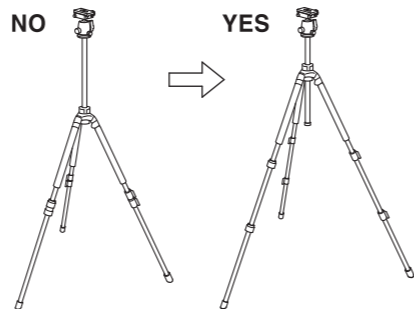


Hold the ball head with one hand. Loosen the center column stopper and the center column locking collar with the other hand. Raise or lower pan head to desired height. While maintaining a hold you desired height of the pan head, tighten the locking collar and the stopper.

### Prohibition

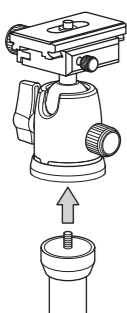


You may be injured by a sudden fall if you remain ball head without tightening up locking collar. Make sure to turn the locking collar with your hand on the side of the collar.

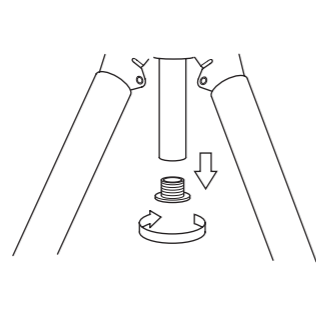


To avoid unnecessary camera vibrations, try to keep the center column height to a minimum. Also use the larger legs first when extending the legs.

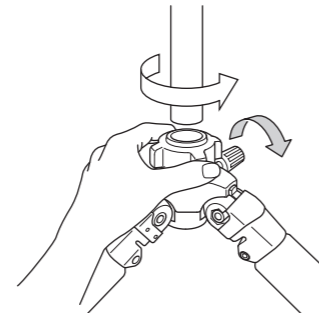
## Inverting the center column



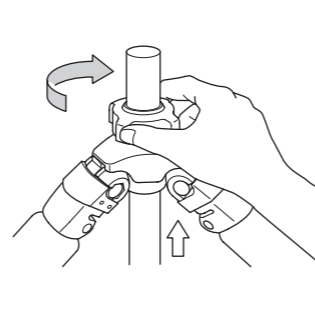
Always remove the head first before replacing the center column.



Remove the center column base stopper from the bottom of the center column.

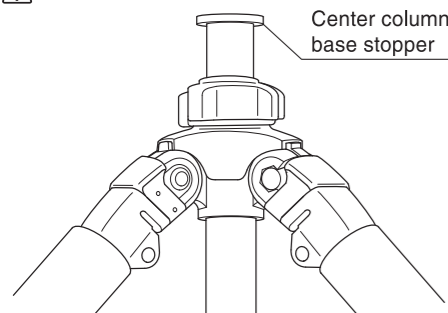


Loosen the center column stopper and the locking collar, and then pull out the center column.



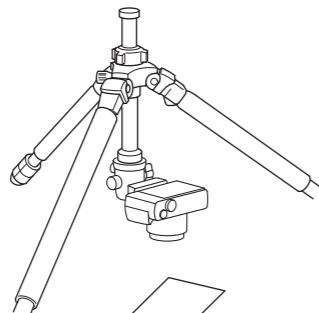
Insert the center column from lower side of main body, and tighten the locking collar and the center column stopper.

### Caution

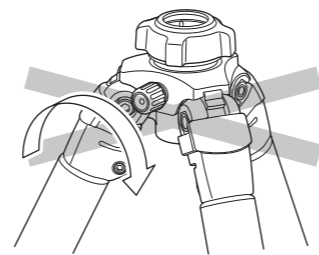


Always be sure to return the center column base stopper back on the center column. This prevents the center column pulled out accidentally.

### Prohibition



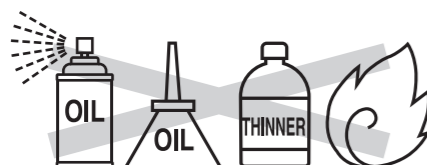
By inverting the center column, it is possible to do copy, and close up work.



Please do not turn the center column stopper without a center column &/or an optional short center column. The internal parts may be damaged.

## Care of the product

- DO NOT apply any grease or oil to this product.
- Clean with a mild detergent and a soft cloth only.
- DO NOT use close to flame. Avoid extreme heat.



Slik Corporation reserves the right to make changes in design and/or improvements on the products without any obligation and advanced notice.

SLIK CORPORATION  
853 Kayama, Hidaka City, Saitama 350-1231, Japan Phone 81-42-989-2141, Fax. 81-42-985-0210 ©2015

# SLIK®

# PRO 500BHX

## Specification

Max. operating height	1,652mm (65in)
Folded length	732mm (28.9in)
Max. center column ext.	260mm (10.2in)
Weight	2,610g (5.8lbs)

## Operating Instructions

Thank you very much for choosing SLIK product. SLIK Corporation has designed to be a sturdy, rugged, dependable product that will provide you with many years of satisfactory use. Please take a few moments to read this operating instruction carefully before use so that you can take full advantage of many fine features. Retain this operating instruction in case you might want to refer back to it.

### Caution

This caution icon refers to information pertaining to important safety procedures in preventing injuries, or damages which may occur as a result of mishandling this product.

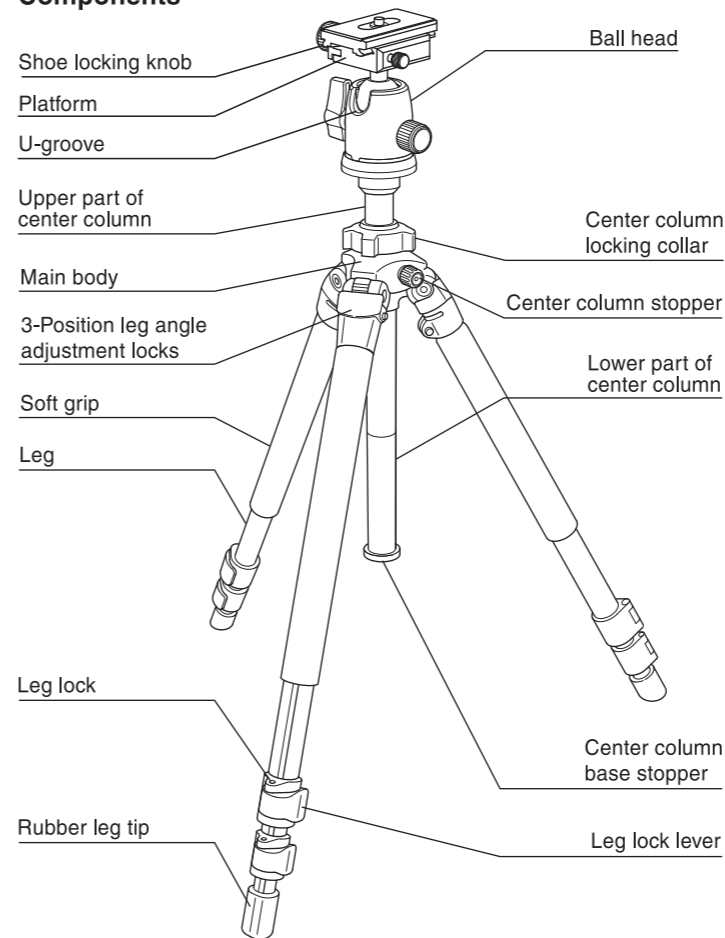
### Prohibition

This prohibited icon refers to information pertaining to prohibited contents. Please refer to instructions closely to avoid accidents.

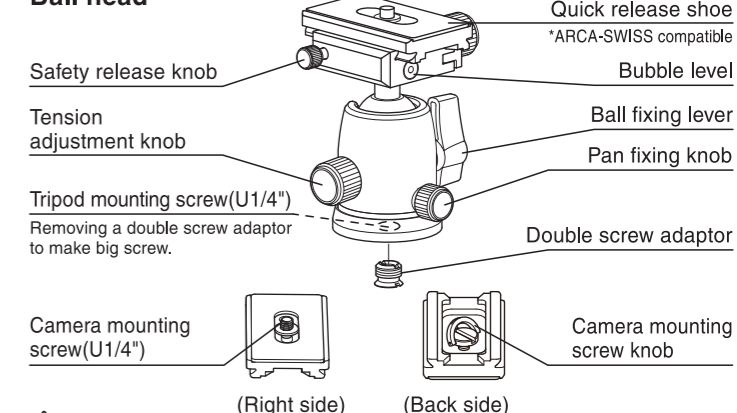
With exclusive case

R116

## Components



## Ball head



### Caution

\*Bubble level on the tripod head is a rough criterion. It is not accurate as a leveler on a camera.

## Equipment that can be loaded on this product

### Prohibition

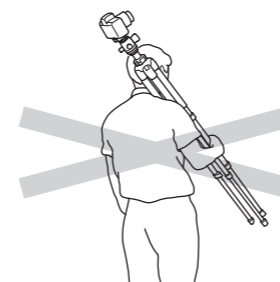
Maximum loading capacity : 4 kgs (8.8 lbs)

Do not overload.

This product has been designed to handle equipment weighing under the maximum loading capacity. Some equipments weighing under the maximum loading capacity may not balance well due to its weight distribution. Use a larger equipment in such case.

## Carrying the tripod

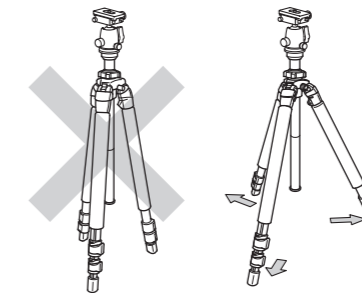
### Prohibition



Carrying a tripod with a camera left on can result in unexpected accidents. We therefore, recommend you to remove your camera while carrying the tripod.

## Setting up

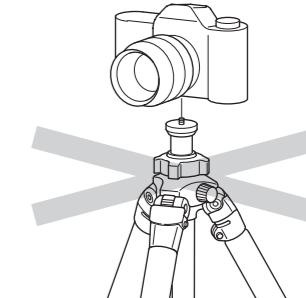
### Caution



To prevent accidental equipment fall or tripod tipping over, making sure all levers, knobs and handles on the tripod are securely tightened. And all of the three legs are opened all the way.

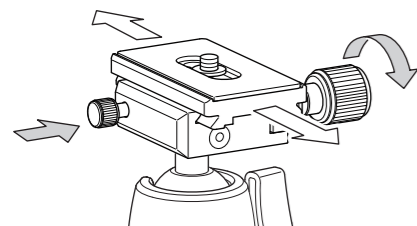
## Pan head mounting post

### Prohibition



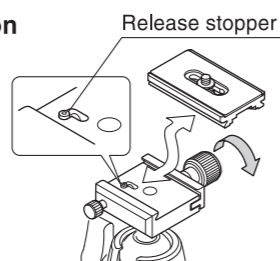
Do not attach a camera directly to the pan head attachment screw. This may damage both your camera and tripod.

### Removing the quick release shoe



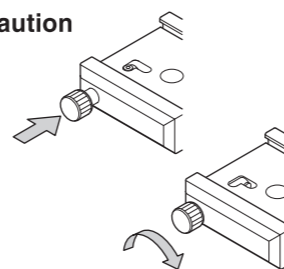
Loosen the shoe locking knob. Slide out the quick release shoe from the platform while pushing the safety release knob.

### ⚠ Caution



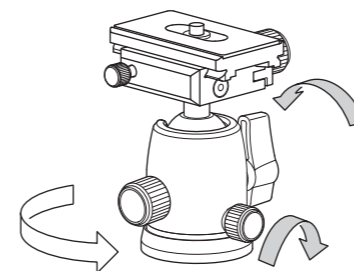
The quick release shoe can be removed from the top when the shoe locking knob is loosened fully, when the shoe locking knob is loosened fully, the release stopper mechanism does not work. Be careful not to come off the quick release shoe accidentally.

### ⚠ Caution



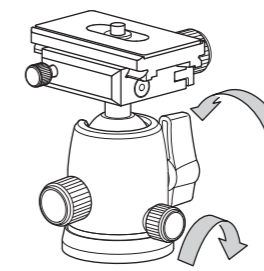
To make the release stopper ineffective, turn the safety release knob while pushing. When the release stopper is ineffective, be careful not to come off the quick release shoe accidentally.

### Removing from the center column

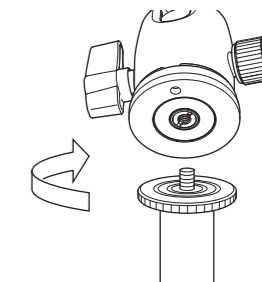


Use the following instructions if you wish to change heads, or attach accessories. Tighten the ball fixing lever and pan fixing knob. Turn the head counter-clockwise to loosen.

### Mounting to a tripod

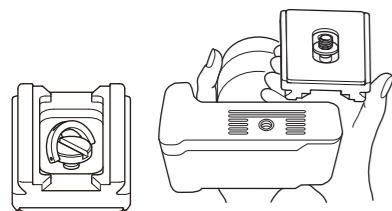


Tighten the ball fixing lever and pan fixing knob. When a tripod mounting screw is U3/8", screw in the double screw adaptor.



Fasten the ball fixing lever and screw into a tripod mounting screw.

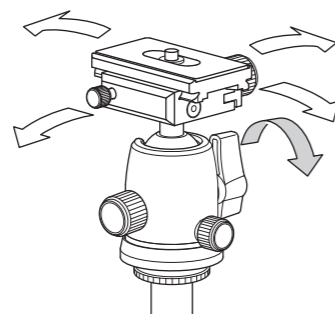
### Attaching a camera



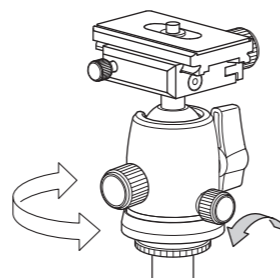
(Back side)

Screw the camera mounting screw on the tripod attachment screw of your camera and fix firmly.

### Adjusting an angle

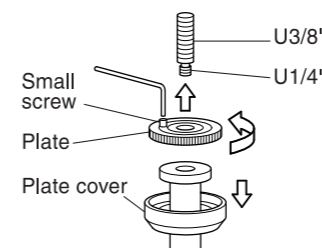


The platform can be moved freely while ball fixing lever is loosened. Tighten the ball fixing lever when a camera angle is determined.



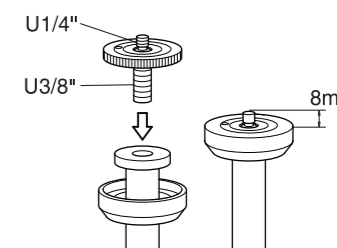
When the pan fixing knob is loosened, the tripod head is rotated horizontally.

### Changing the pan head attachment screw



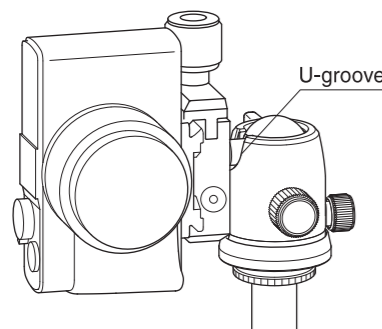
The pan head attachment screw is reversible for either large thread (U3/8") or small thread (U1/4").

- ① Move the plate cover down.
- ② Loosen the small screw in about three turnings with an allen wrench (2.5mm width).
- ③ Loosen the plate without removing the small screw.

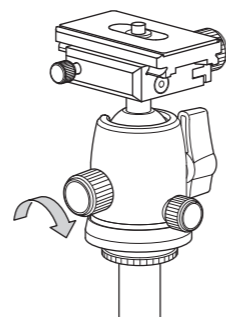


- ④ Loosen the pan head attachment screw and pull it out. Then screw it in again after reversing the top and the bottom.
- ⑤ Adjust the height of screw in approx. 8mm above the plate. Then tighten the small screw by an allen wrench.
- ⑥ Put the plate cover back.

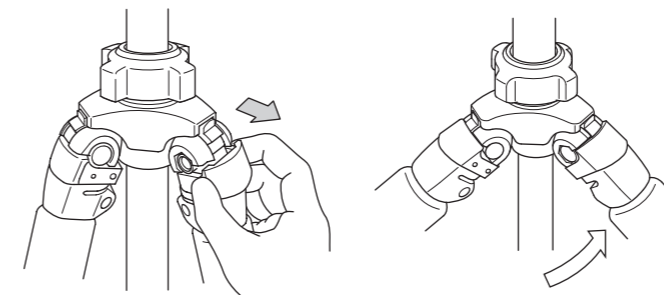
### Three position adjustable legs



To set vertical camera position, place the platform into U-groove.

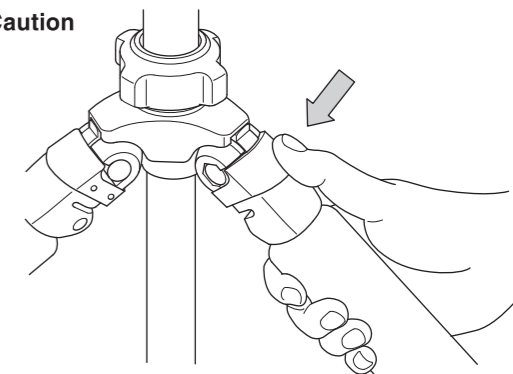


A friction is adjusted by the tension adjustment knob only when the ball fixing lever is loosened.



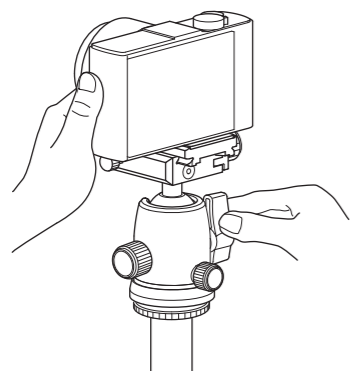
To change the angle of each leg, close the leg slightly and then pull the leg angle adjustment lock out. There is a choice of two other angle positions.

### ⚠ Caution



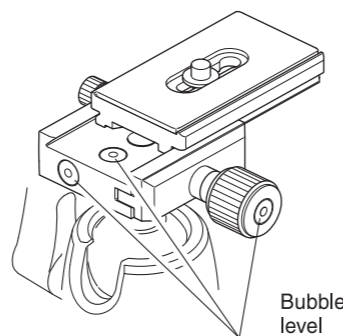
After choosing the desired leg angle, securely push in the adjustment lock.

### ⚠ Caution



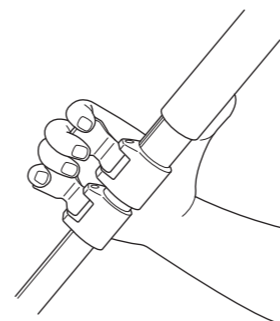
To loosen the ball fixing lever with a camera on can result an unexpected fall. Hold a camera firmly until the ball fixing lever is tightened.

### Bubble level



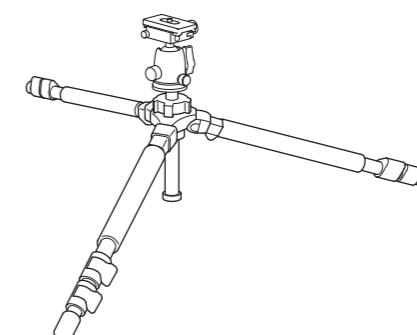
Adjust the bubble level to fit into center. The bubble level is a rough criterion. It is not accurate as a leveler on a camera.

### Extending the tripod legs

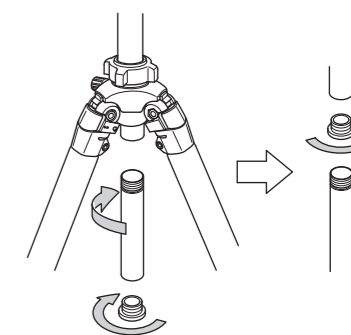


Flip up the leg lock lever to extend or shorten any of the individual leg sections to the desired length. Press the leg lock lever flush against the leg to lock.

### Low position



You can get lower height.



Remove the center column base stopper. Then remove the lower part of center column. Put the center column base stopper in from the upper part of center column.