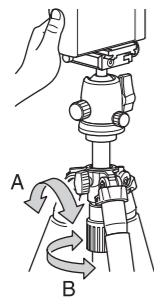
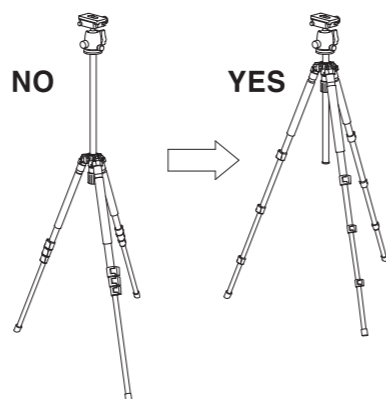


Operating the center column

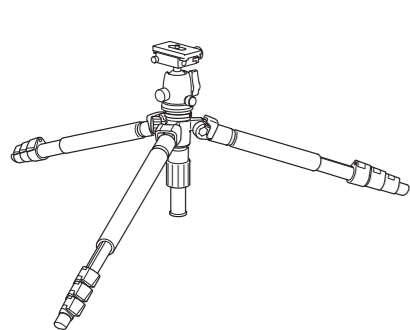


A - Screw-type
Center column stopper is used to lock or unlock center column.
B - Twist-type
Center column locking nut is used to adjust a tension of the movement.
The both of A and B must be locked for fixing center column.

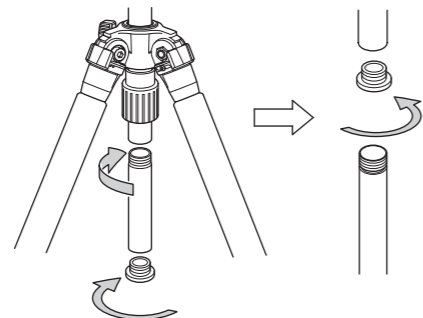


To avoid unnecessary camera vibrations, try to keep the center column height to a minimum.
Also use the larger legs first when extending the legs.

Low position



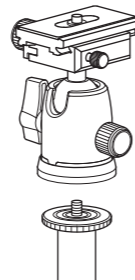
You can get lower height.



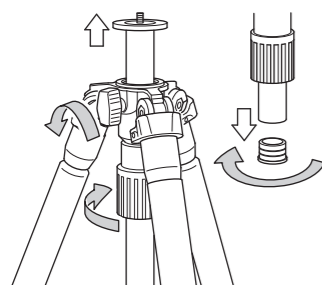
Remove the center column base stopper.
Then remove the lower part of center column.
Put the center column base stopper on the upper part of center column.

Inverting the center column

Caution

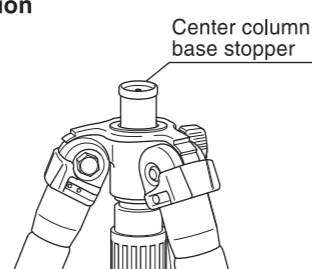


Remove the pan head when inverting or replacing the center column.

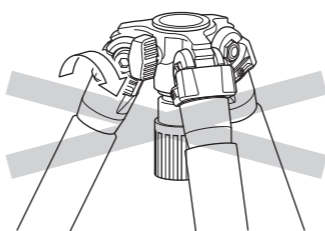


Remove the center column base stopper from the bottom of the center column.
Loosen the center column stopper and the locking collar, and then pull out the center column.

Caution



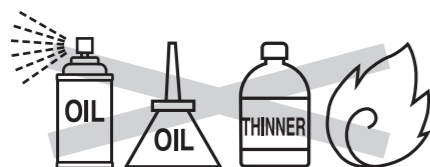
Insert the new replacement center column through the top, and tighten the locking collar.
Always be sure to return the center column base stopper back on the bottom of the center column, as this prevents the center column from being accidentally pulled out.



Please do not turn the center column stopper without a center column &/or an optional short center column. The internal parts may be damaged.

Care of the product

- DO NOT apply any grease or oil to this product.
- Clean with a mild detergent and a soft cloth only.
- DO NOT use close to flame. Avoid extreme heat.



Slik Corporation reserves the right to make changes in design and/or improvements on the products without any obligation and advanced notice.

SLIK CORPORATION
853 Kayama, Hidaka City, Saitama 350-1231, Japan Phone 81-42-989-2141, Fax. 81-42-985-0210 ©2015

SLIK®

PRO 340BHX

Specification

Max. operating height	1,450mm (57in)
Folded length	525mm (20.7in)
Max. center column ext.	290mm (11.4in)
Weight	1,605g (3.6lbs)

Operating Instructions

Thank you very much for choosing SLIK product. SLIK Corporation has designed to be a sturdy, rugged, dependable product that will provide you with many years of satisfactory use. Please take a few moments to read this operating instruction carefully before use so that you can take full advantage of many fine features. Retain this operating instruction in case you might want to refer back to it.

Caution

This caution icon refers to information pertaining to important safety procedures in preventing injuries, or damages which may occur as a result of mishandling this product.

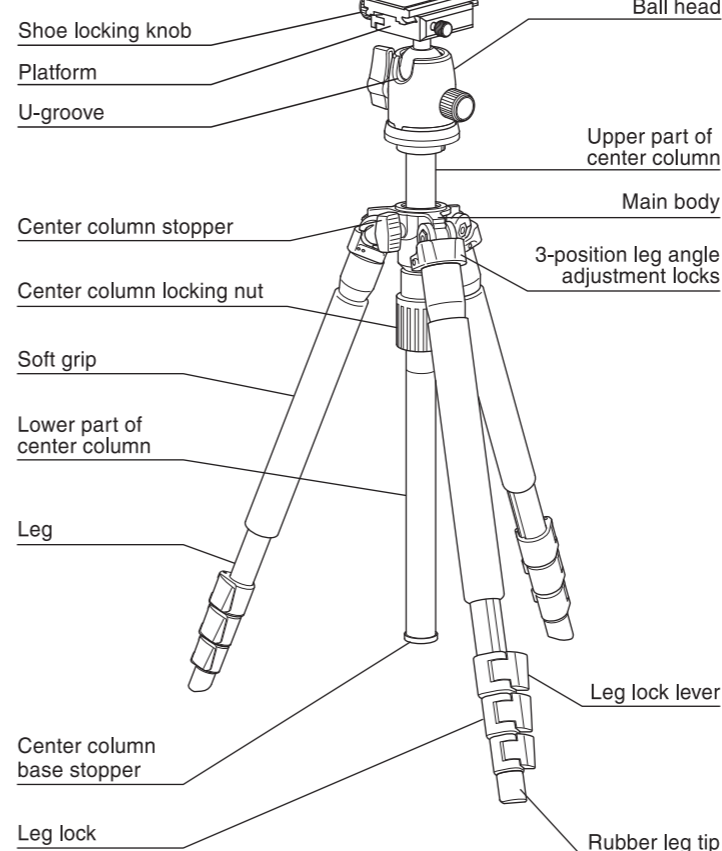
Prohibition

This prohibited icon refers to information pertaining to prohibited contents. Please refer to instructions closely to avoid accidents.

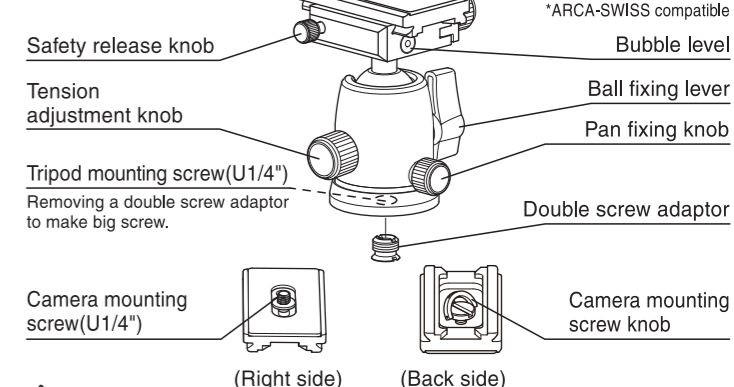
With exclusive case

R086

Components



Ball head



Caution

※Bubble level on the tripod head is a rough criterion. It is not accurate as a leveler on a camera.

Equipment that can be loaded on this product

Prohibition

Maximum loading capacity : 3 kgs (6.6 lbs)

Do not overload.

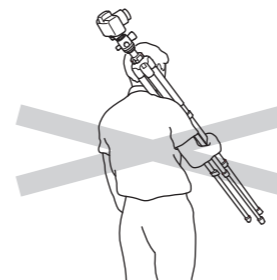
This product has been designed to handle equipment weighing under the maximum loading capacity. Some equipments weighing under the maximum loading capacity may not balance well due to its weight distribution. Use a larger equipment in such case.

Caution

※Soft grip is consumables. Replace when it is worn out.
※Color of the soft grip can be stained. Keep out from objects.

Carrying the tripod

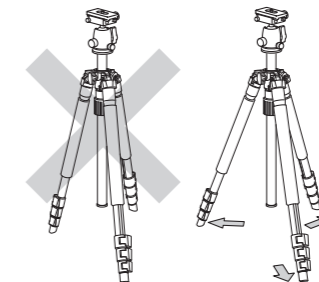
Prohibition



Carrying a tripod with a camera left on can result in unexpected accidents. We therefore, recommend you to remove your camera while carrying the tripod.

Setting up

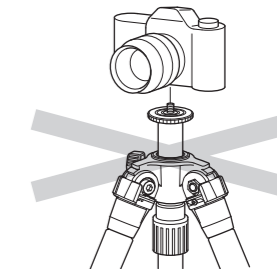
Caution



To prevent accidental equipment fall or tripod tipping over, making sure all levers, knobs and handles on the tripod are securely tightened. And all of the three legs are opened all the way.

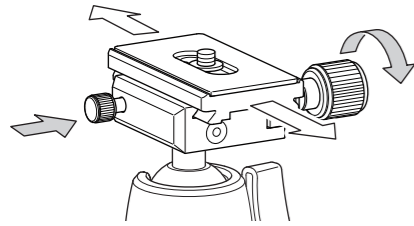
Pan head mounting post

Prohibition



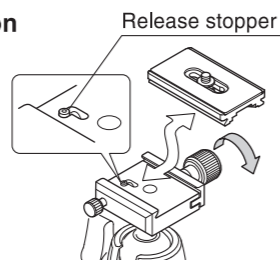
Do not attach a camera directly to the pan head attachment screw. This may damage both your camera and tripod.

Removing the quick release shoe



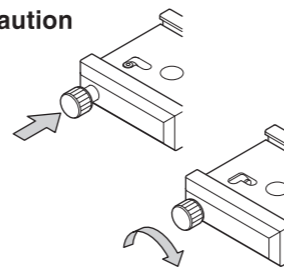
Loosen the shoe locking knob. Slide out the quick release shoe from the platform while pushing the safety release knob.

⚠ Caution



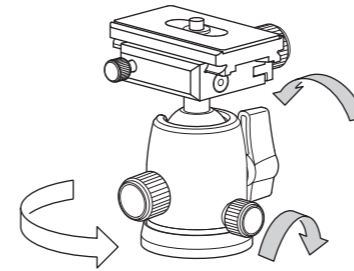
The quick release shoe can be removed from the top when the shoe locking knob is loosened fully, when the shoe locking knob is loosened fully, the release stopper mechanism does not work. Be careful not to come off the quick release shoe accidentally.

⚠ Caution



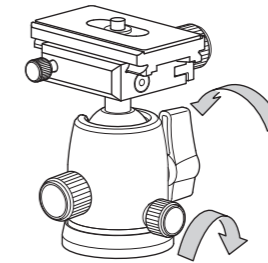
To make the release stopper ineffective, turn the safety release knob while pushing. When the release stopper is ineffective, be careful not to come off the quick release shoe accidentally.

Removing from the center column

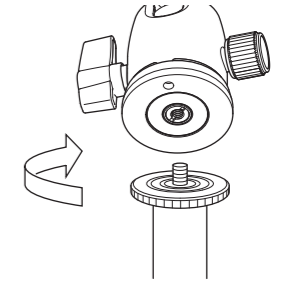


Use the following instructions if you wish to change heads, or attach accessories. Tighten the ball fixing lever and pan fixing knob. Turn the head counter-clockwise to loosen.

Mounting to a tripod

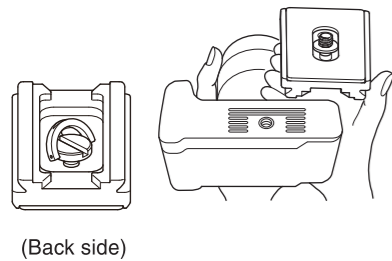


Tighten the ball fixing lever and pan fixing knob. When a tripod mounting screw is U3/8", screw in the double screw adaptor.



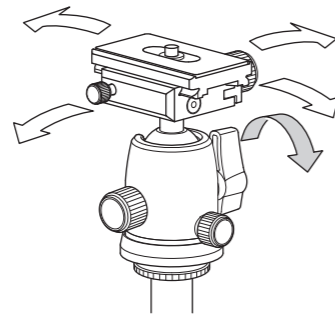
Fasten the ball fixing lever and screw into a tripod mounting screw.

Attaching a camera

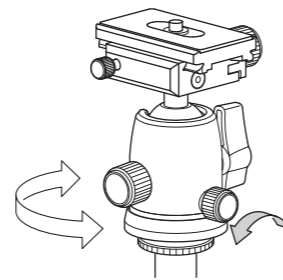


Screw the camera mounting screw on the tripod attachment screw of your camera and fix firmly.

Adjusting an angle

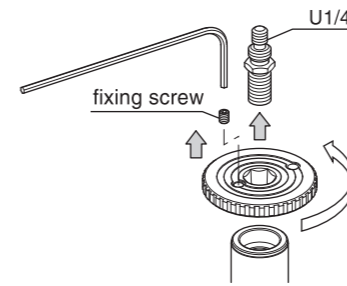


The platform can be moved freely while ball fixing lever is loosened. Tighten the ball fixing lever when a camera angle is determined.

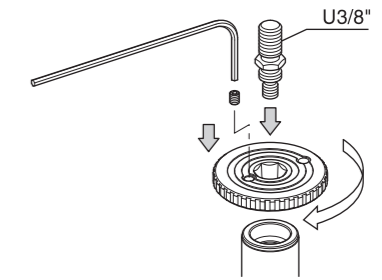


When the pan fixing knob is loosened, the tripod head is rotated horizontally.

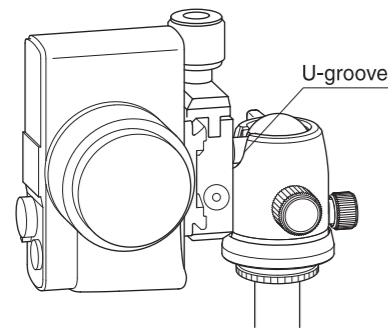
Changing the pan head attachment screw



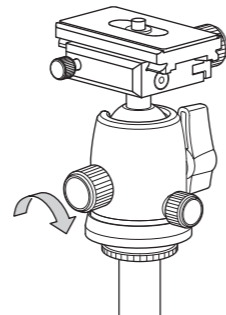
To change the U3/8" screw, loosen the fixing screw with an allen wrench (2.5mm width) and rotate the center column plate to remove from the center column. Then push out the pan head attachment screw from the bottom.



Flip the pan head attachment screw and put back to the center column plate. Screw in the center column plate and the pan head attachment screw. Tighten the fixing screw to avoid the rotating the center column plate while in use.

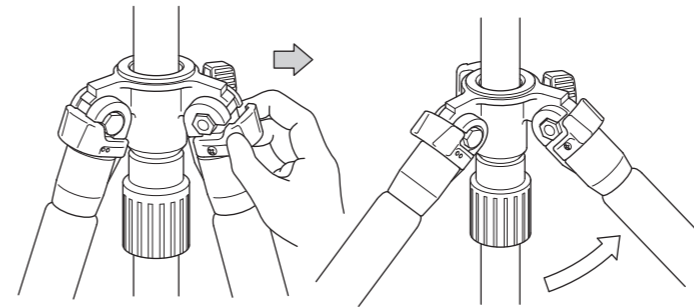


To set vertical camera position, place the platform into U-groove.



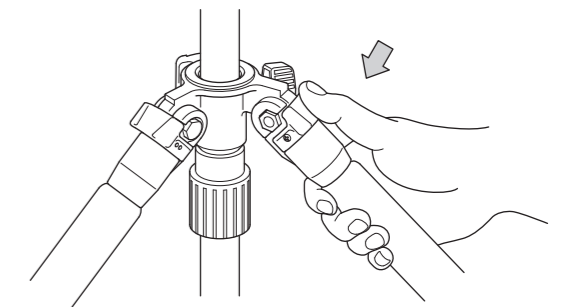
A friction is adjusted by the tension adjustment knob only when the ball fixing lever is loosened.

Three position adjustable legs



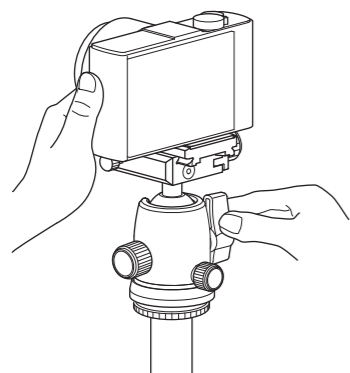
To change the angle of each leg, close the leg slightly, and then pull the leg angle adjustment lock out. There is a choice of two other angle positions.

⚠ Caution



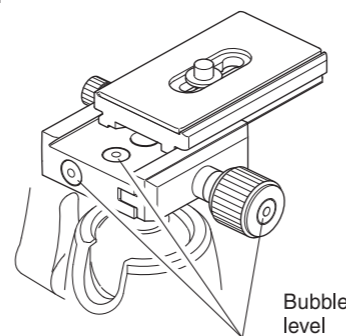
After choosing the desired leg angle, securely push in the adjustment lock.

⚠ Caution



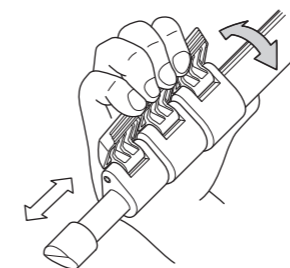
To loosen the ball fixing lever with a camera on can result an unexpected fall. Hold a camera firmly until the ball fixing lever is tightened.

Bubble level



Adjust the bubble level to fit into center. The bubble level is a rough criterion. It is not accurate as a leveler on a camera.

Extending the tripod legs



Flip up the leg lock lever to extend or shorten any of the individual leg sections to the desired length and press the leg lock lever flush against the leg to lock.



It is easier to extend the tripod legs if you turn the leg-tips to the foot, while leaving legs close.