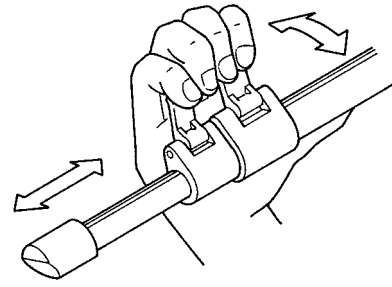
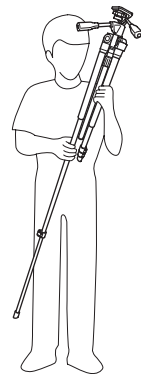


Extending the Tripod Legs

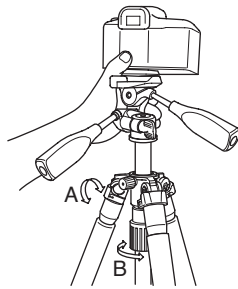


Flip up the Leg Lock Lever to extend or shorten any of the individual leg sections to the desired length, and press the Leg Lock Lever flush against the Leg to lock.

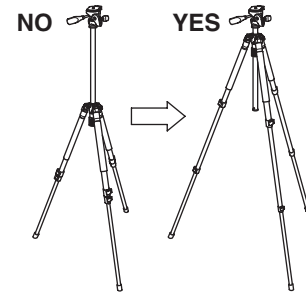


It is easier to extend the tripod legs if you turn the leg-tips to the foot, while leaving legs close.

Operating the Center Column

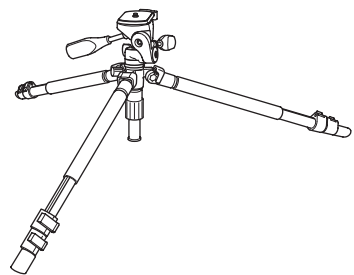


Possible to lock with two ways as follows.
 A. by Screw-type center column stopper.
 B. by Twist-type center column locking nut.
 Screw-type center column stopper will be steady, while sideslipping.
 Twist-type center column locking nut will be no sideslipping, but not enough to stop sometimes.

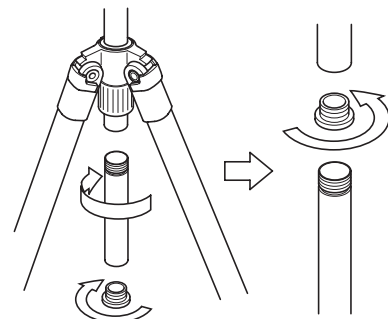


To avoid unnecessary camera vibrations, try to keep the Center Column height to a minimum.
 Also use the larger legs first, when extending the legs.

How to get low position shots



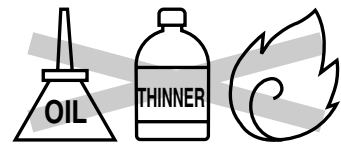
You can get lower height.



Remove the Center Column Base Stopper and then, remove the Lower part of Center Column.
 Put the Center Column Base Stopper on the Upper part of Center Column.

Care of the Tripod

- DO NOT apply any grease or oil to this product.
- Clean with a mild detergent and a soft cloth only.
- DO NOT use close to flame. Avoid extreme heat.



Slik corporation reserves the right to make changes in design and/or improvements on the products without any obligation and advanced notice.

SLIK®

PRO 340DX K

Operating Instructions

Thank you very much for choosing SLIK PRO 500 DX Tripod. The SLIK Corporation has designed your tripod to be a sturdy, rugged, dependable product that will provide you with many years of satisfactory use.

Please take a few moments to read this operating instruction carefully before use so that you can take full advantage of your Tripod's many fine features.

Retain this operating instruction in case you might want to refer back to it.

⚠ Caution

This caution icon refers to information pertaining to important safety procedures in preventing injuries, or damages which may occur as a result of mishandling this product.

⊘ Prohibition

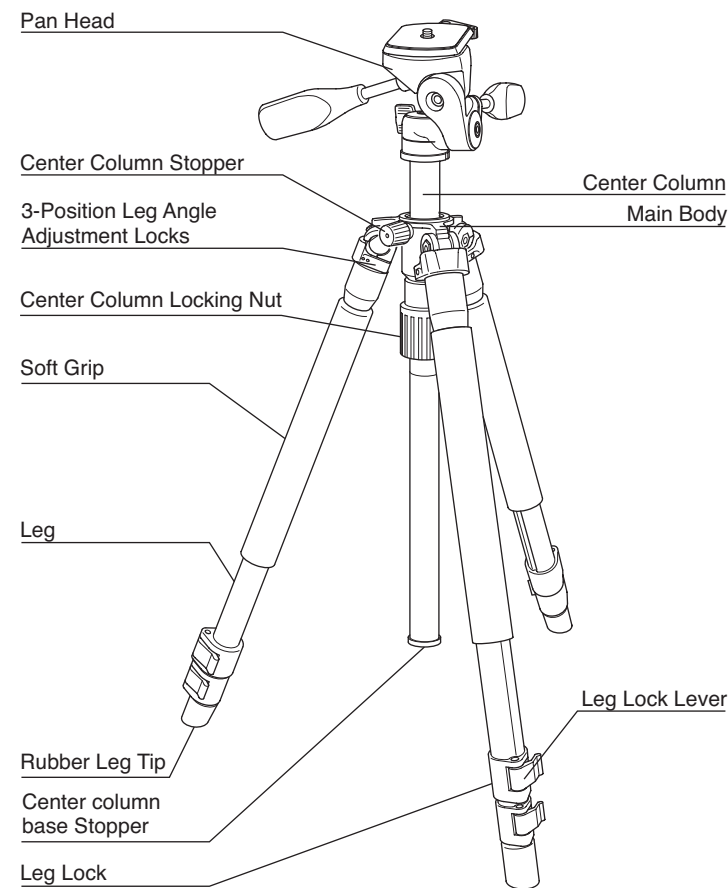
This prohibited icon refers to information pertaining to prohibited contents. Please refer to instructions closely to avoid accidents.

Specification

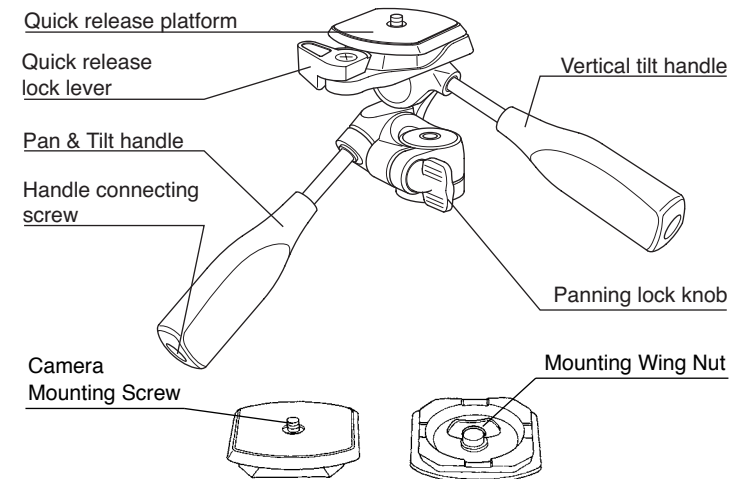
Length folded	490mm (19 1/4")
Max. operating height	1,450mm (57")
Max. center column ext.	290mm (11 2/5")
Weight	1.5kg (3 lbs 5 oz)

J469

Components



Pan Head



Equipment that can be used with this Tripod

⊘ Prohibition

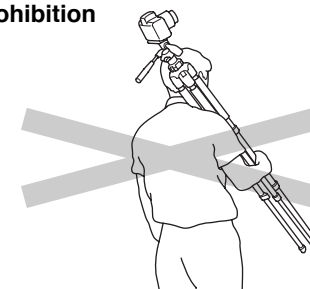
This product has been designed to handle equipment weighing under 3 kgs (6 lbs 10 oz). Do not overload. Some equipment weighing under 3 kgs (6 lbs 10 oz), such as long lenses, may not balance well due to its weight distribution. In such case, please use a larger tripod.

⚠ Caution

Soft Grip is consumption and cannot be used permanently. Please replace it whenever ragged.

Carrying the Tripod

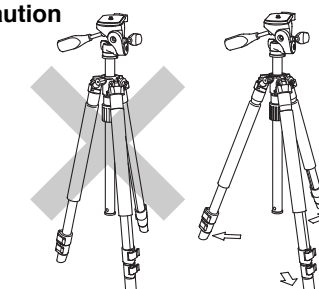
⊘ Prohibition



Carrying a tripod with a camera left on can result in unexpected accidents. We therefore, recommend you to remove your camera while carrying the tripod.

Setting up

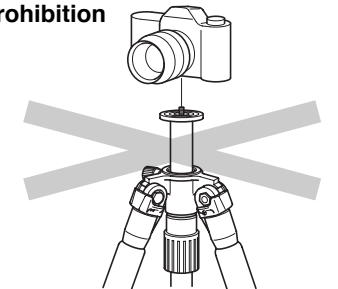
⚠ Caution



Prevent accidental equipment fall, or tripod tipping over, by making sure all levers, knobs, and handles on the tripod are securely tightened, and that all three legs are opened all the way.

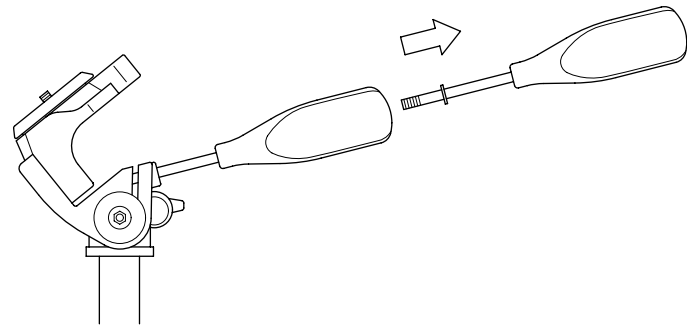
Pan Head mounting post

⊘ Prohibition

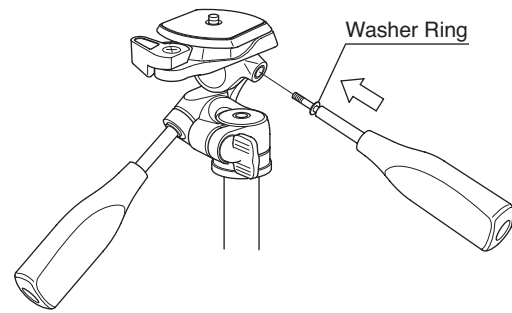


Do not attach camera directly to the threaded post of the Center Column. This may damage both camera and tripod.

Install the Vertical Tilt Handle

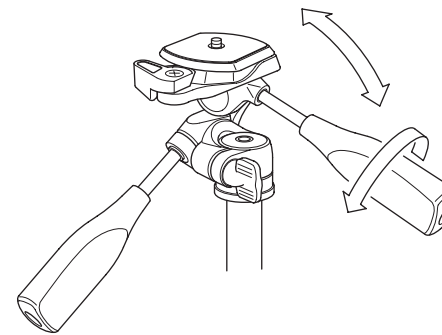


Remove the Vertical Tilt Handle from the back of the Pan & Tilt Handle where it is stored.



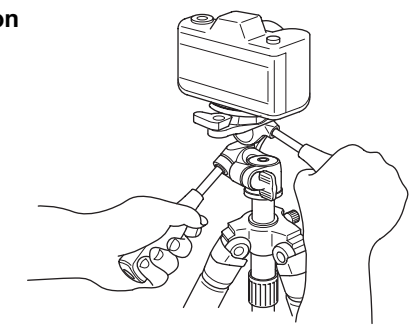
Check to see that there is a washer ring on the shaft of the Vertical Tilt Handle, and then insert the shaft into the threaded hole located on the right side of the Pan Head. Screw handle all the way in until secure.

Using the Pan Head (Continued)



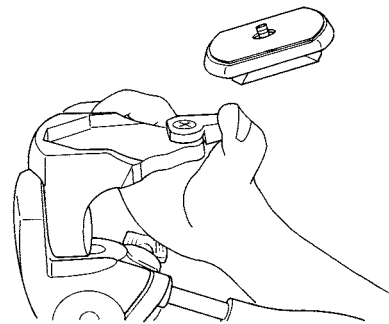
Loosen the Vertical Tilt Handle, and the level can be adjusted.

Caution

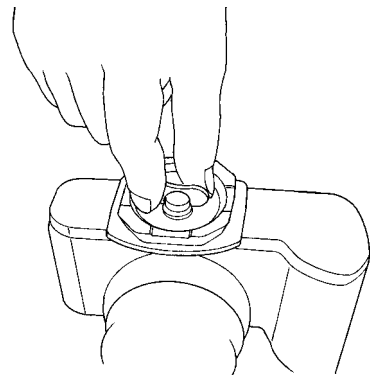


When loosening either the Pan & Tilt Handle, or the Vertical Tilt Handle, take precaution by keeping a firm grip on the handle until the Pan Head is locked down.

Attaching the camera to the Quick Release Platform

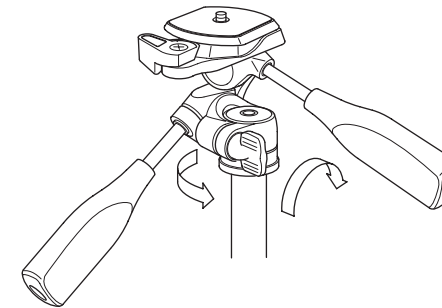


To remove the Quick Release Platform from the Pan Head, turn Quick Release Lock Lever and lift out Platform from its back.

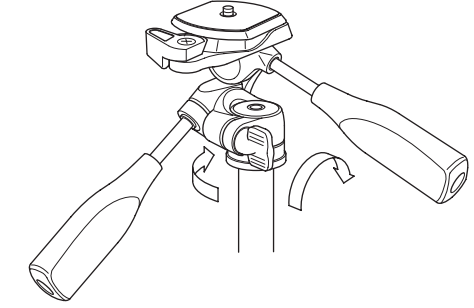


Align the length of the Platform along the base of the camera body, and securely tighten the Mounting Wing Nut.

Removing the Head from the Center Column

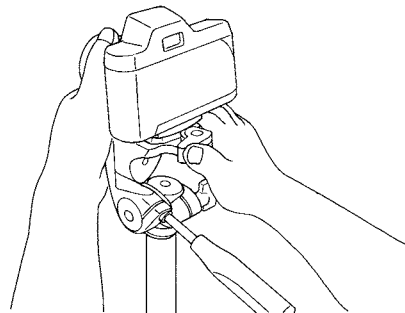


Use the following instructions if you wish to change heads, or attach accessories. First, lock the Panning Lock Knob, then grasp the Pan, or Vertical Tilt Handle and turn the head, counter-clockwise to loosen.

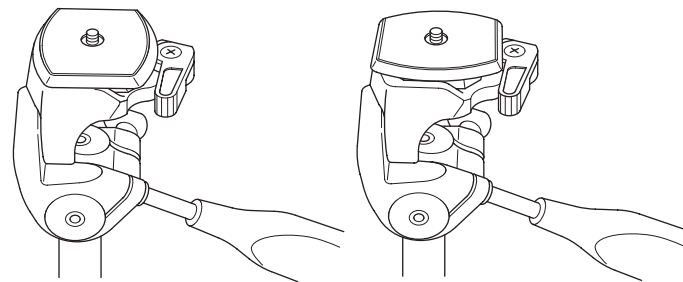


Set the new head, or accessory on the tripod's threaded post, and turn clockwise until it comes to a stop. Tighten the Panning Lock Knob and turn clockwise slightly more.

Caution

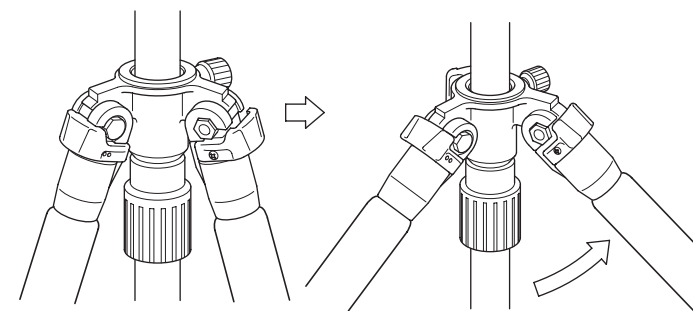


When attaching the camera to the Pan Head, check to make sure that the Quick Release Platform is engaged in the catch of the Pan Head before locking the lever.

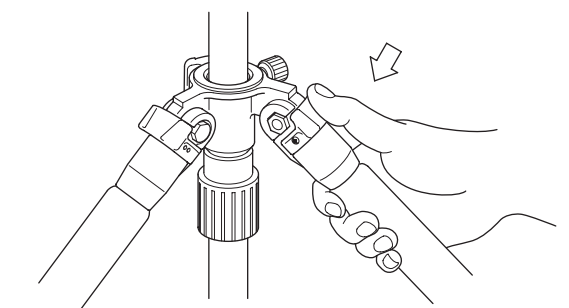


The Quick Release Platform can be attached to the camera body in either directions (along the length, or along the width). This feature facilitates your camera set up into the vertical position, simply by the turn of one of the Tilt Handles.

Three Position Adjustable Legs

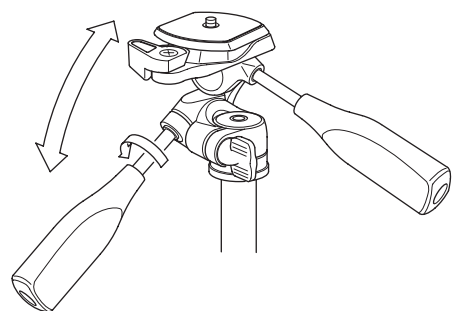


To change the angle of each leg, close the Leg slightly, and then pull the Leg Angle Adjustment Lock out. There is a choice of two other angle positions.

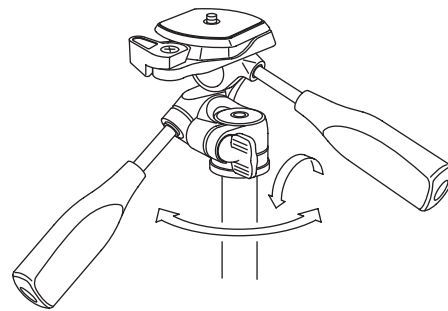


After choosing the desired leg angle, securely push in the Adjustment Lock.

Using the Pan Head



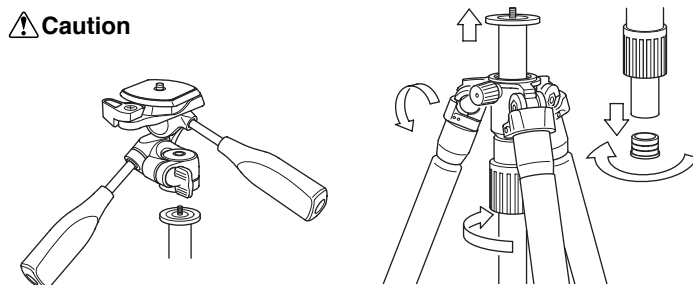
Loosen the Pan & Tilt Handle, and the head will tilt back and forth.



Loosen the Panning Lock Knob, and the head will rotate along the horizontal direction.

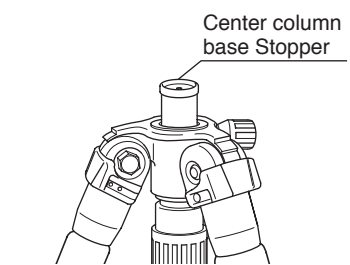
Removing the Center Column

Caution



Always remove the Pan Head when replacing the Center Column.

Remove the center column base Stopper from the Bottom of the Center Column. Loosen the Center Column Stopper and the Locking Collar, and then pull out the Center Column.



Insert the new replacement Center Column through the top, and tighten the Locking Collar. Always be sure to return the center column base Stopper back on the bottom of the Center Column, as this prevents the Center Column from being accidentally pulled out.

Prohibition



Please do not turn the Center Column Stopper without a Center Column &/or an optional Short Center Column. The internal parts may be damaged.