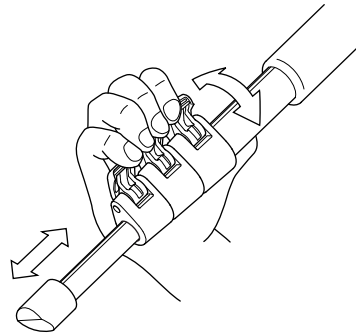
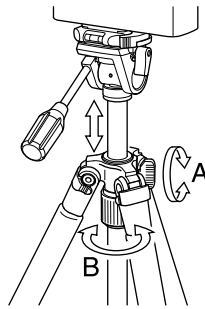


Extending / Folding of Tripod legs

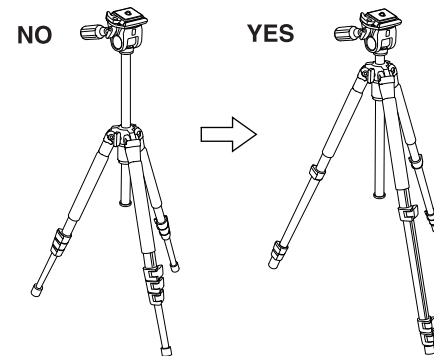


Flip up the Leg lock lever to extend or shorten any of the individual leg sections to the desired length. Press the leg lock lever flush against the leg to lock.

Operating the Center column

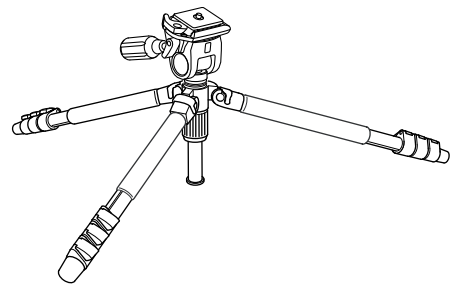


Center column can be locked with two ways.
A. by Screw-type center column stopper.
B. by Twist-type center column locking nut.
Screw-type center column stopper is steady, but possible with sideslipping. Twist-type center column locking nut will make no sideslipping, however it is not enough to hold the center column sometimes.

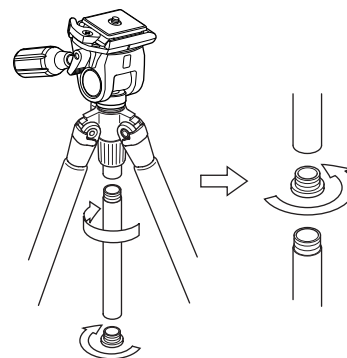


To avoid unnecessary camera vibrations, try to keep the Center column height to a minimum. Also use the larger legs first when extending the legs.

How to get low position shots



You can get lower height as show the above.



Remove the Center column base stopper. Then remove the Lower part of Center column. Put the Center column base stopper in to the Upper part of Center column.

Care of the Tripod

- DO NOT apply any grease or oil to this product.
- Clean with a mild detergent and a soft cloth only.
- DO NOT use close to flame. Avoid extreme heat.



Slik corporation reserves the right to make changes in design and/or improvements on the products without any obligation and advanced notice.

SLIK CORPORATION
853 Kayama, Hidaka City, Saitama 350-1231, Japan Phone 81-42-989-2141, Fax. 81-42-985-0210 ©2007

Printed in Thailand.

SLIK®

SPRINT PRO EZ Tripod

Operating Instructions

Thank you very much for choosing SLIK SPRINT PRO EZ Tripod. The SLIK Corporation has designed your tripod to be a sturdy, rugged, dependable product that will provide you with many years of satisfactory use.

Please take a few moments to read these operating instructions carefully before use so that you can take full advantage of your Tripod's many fine features. Retain this operating instruction sheet in case you might want to refer back to it.

⚠ Caution

This caution icon refers to information pertaining to important safety procedures in preventing injuries, or damages which may occur as a result of mishandling this product.

🚫 Prohibition

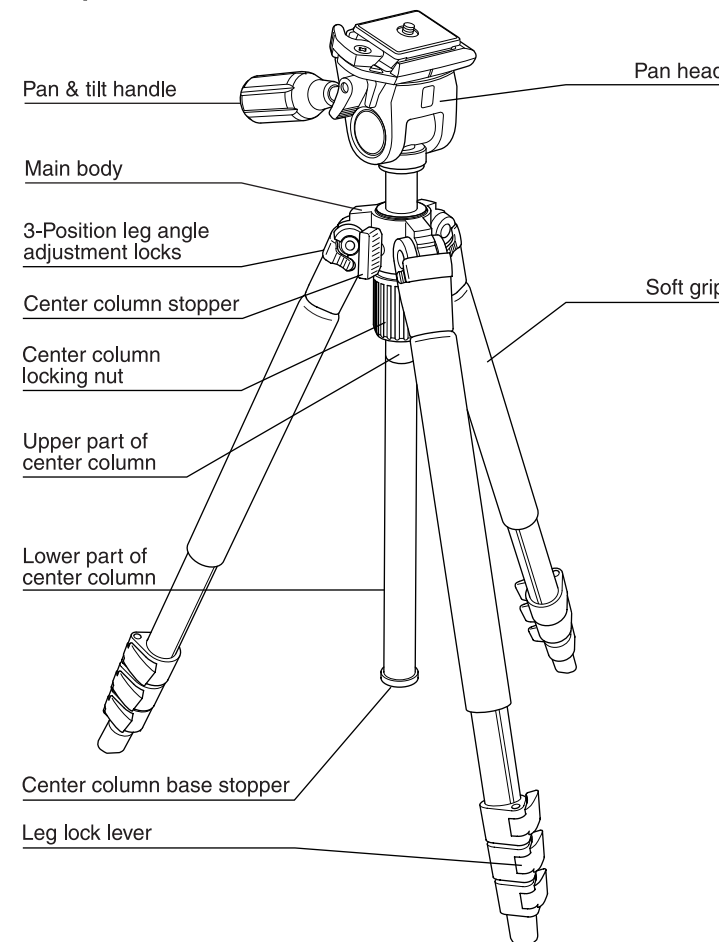
This prohibited icon refers to information pertaining to prohibited contents. Please refer to instructions closely to avoid accidents.

Specification

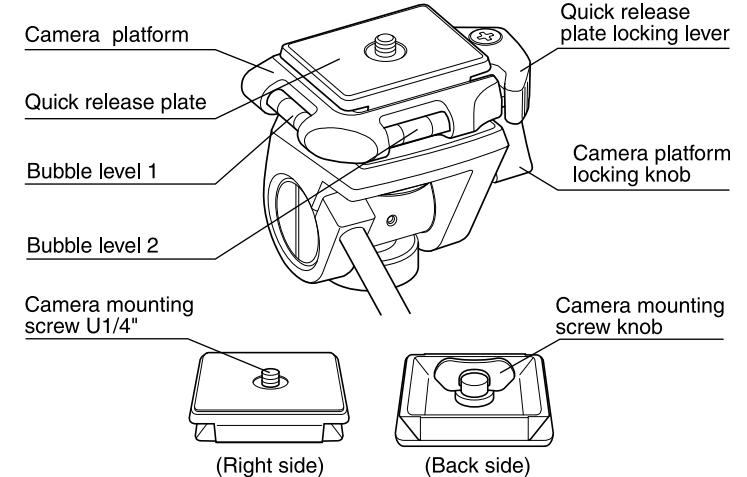
Length folded	490mm (19 1/3")
Max. operating height	1,655mm (65 1/12")
Max. center column ext.	300mm (11 3/4")
Weight	1,26kg (2lbs 13oz)

K898

Components



Pan Head



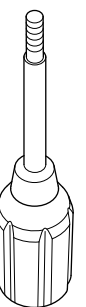
Equipment that can be loaded on this Tripod

This product has been designed to handle equipment weighing under 2 kgs (4 lbs 8 oz). Do not overload. Some equipment weighing under 2 kgs (4 lbs 8 oz), such as long lenses, may not balance well due to its weight distribution. In such case, please use a larger tripod.

Optional Accessory

Long Pan Handle
Cat. No. 618-797
Lenght 7.95in. (202mm)

this accessory pan handle is 2.75in. (70mm) longer than the included pan handle for easier movements with spotting scopes and binoculars.

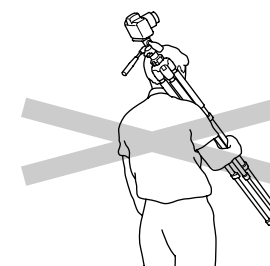


⚠ Caution

Soft Grip is consumption and cannot be used permanently. Please replace it whenever ragged.

Carrying the Tripod

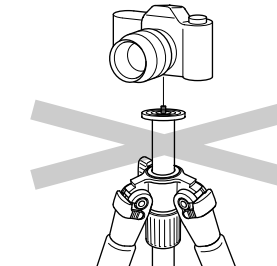
🚫 Prohibition



Carrying a tripod with a camera left on can result in unexpected accidents. We therefore, recommend you to remove your camera while carrying the tripod.

Pan Head mounting post

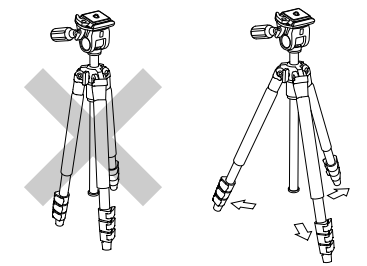
🚫 Prohibition



Do not attach camera directly to the threaded post of the Center column. This may damage both camera and tripod.

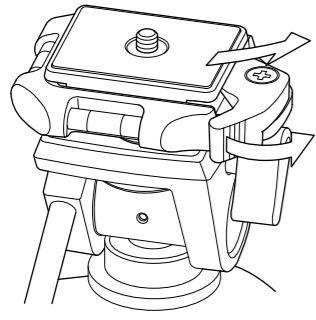
Setting up

⚠ Caution

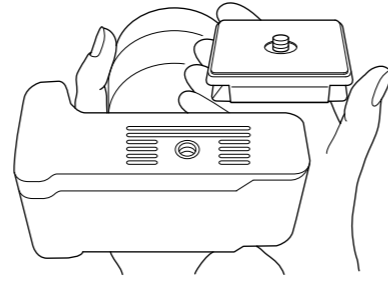


To Prevent accidental equipment fall or tripod tipping over making sure all levers, knobs and handles on the tripod are securely tightened, and that all three legs are opened all the way.

Attaching a camera

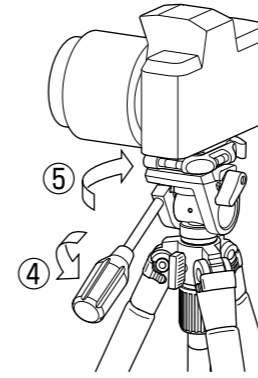


To remove the Quick release plate, turn the Quick release plate locking lever. In this case, please do not put the lock lever back by force as it has been stood by the stopper.

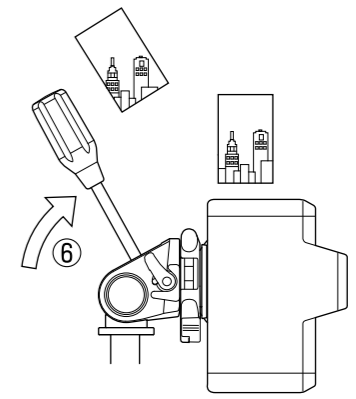


Insert the Camera mounting screw on the Quick release plate in the place of the tripod attachment screw of your camera. Turn the Camera mounting screw knob and fix firmly.

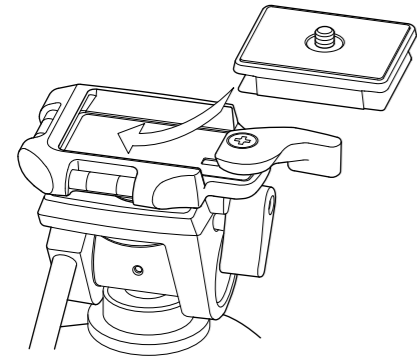
How to get vertical position (Continued)



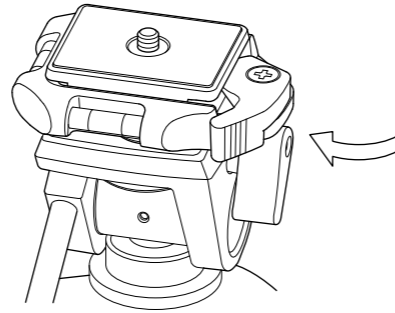
4. Loosen pan & tilt handle for your camera to the front.
5. Turn the whole of pan & tilt handle.



6. Adjust pan & tilt handle to get vertical position.

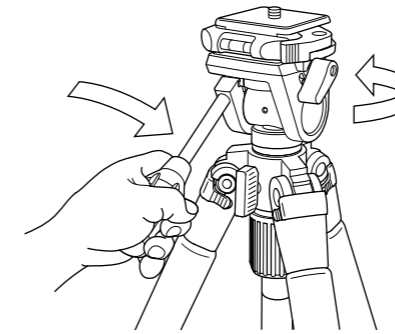


To attach the plate, slide into Quick release plate slantways. It will be closed automatically after attaching.

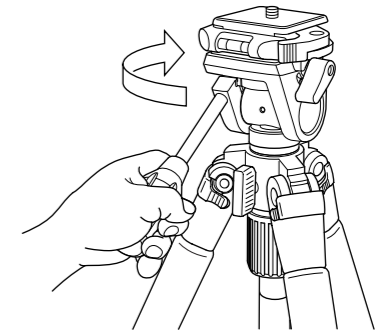


Fasten the plate Locking Lever on tightly. It will be certainly fixed.

Removing the Head from the Center column

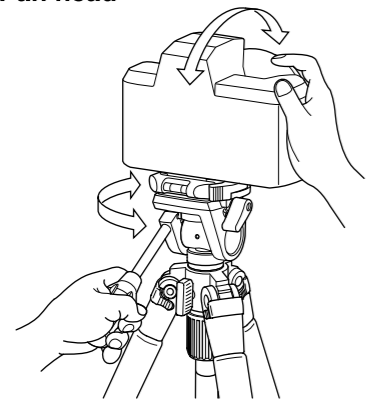


Use the following instructions if you wish to change heads or attach accessories. Tighten the pan & tilt handle. Turn the pan & tilt handle. Turn counter-clockwise to loosen.

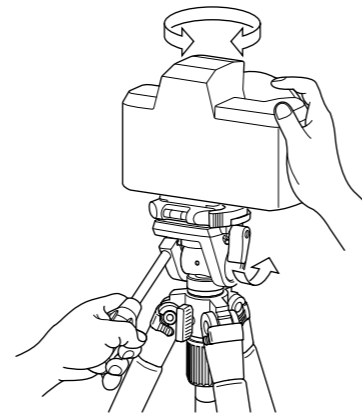


Set the new head or accessory on the tripod's threaded post. Turn clockwise until it comes to a stop. Tighten the pan & tilt handle and turn clockwise slightly more.

Using the Pan head

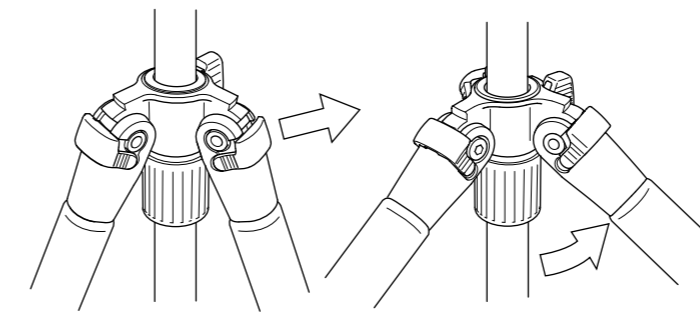


When you unlock the handle, your camera is free to move up and down. When the pan & tilt handle is unlocked, you can pan & tilt simultaneously.



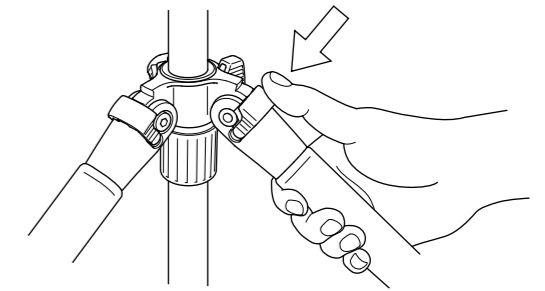
When you unlock the Camera platform locking knob, raise the knob to the vertical "release" position. The camera can be free to rotate.

Three position adjustable legs



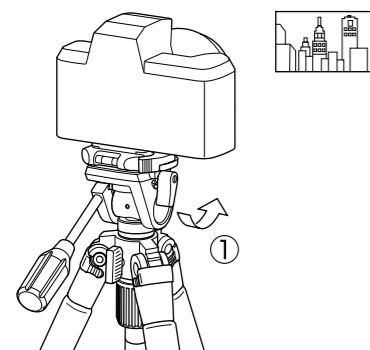
To change the angle of each leg, close the leg slightly. Then pull the 3-position leg angle adjustment locks. There is a choice of two other angle positions.

Caution

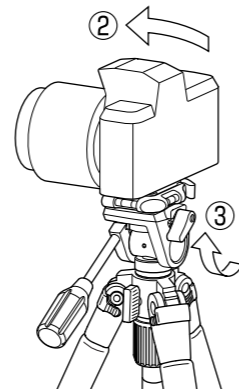


After choosing the desired leg angle, securely push the Adjustment lock.

How to get vertical position



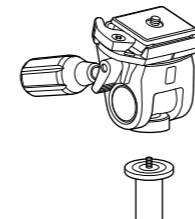
1. Loosen camera platform locking knob.



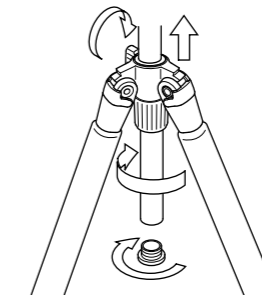
2. Turn your camera to the side.
3. Tighten camera platform locking knob.

Removing the Center column

Caution



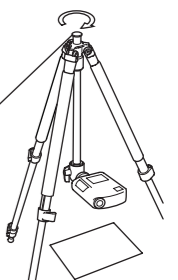
Always remove the Pan head when replacing the Center column.



It can be used for digital copy/or close-up photography when a Center column is inserted from the bottom. Remove a Center column base stopper. Then, loosen a Center column stopper and Center column locking nut.

Caution

Center column base stopper should be attached.



Insert a Center column from the bottom and tighten a Center column stopper and Center column locking nut firmly. Please also be sure to attach a Center column base stopper for fall prevention.