

Operating Instructions

Thank you very much for choosing SLIK MINI-PRO DQ.

The SLIK Corporation has designed your Tripod to be a sturdy, rugged, dependable product that will provide you with many years of satisfactory use.

Please take a few moments to read these operating instructions carefully before use so that you can take full advantage of your Tripod many fine features. Retain this operating instruction in case you might want to refer back to it.

⚠ Caution

This caution icon refers to information pertaining to important safety procedures in preventing injuries, or damages which may occur as a result of mishandling this product.

🚫 Prohibition

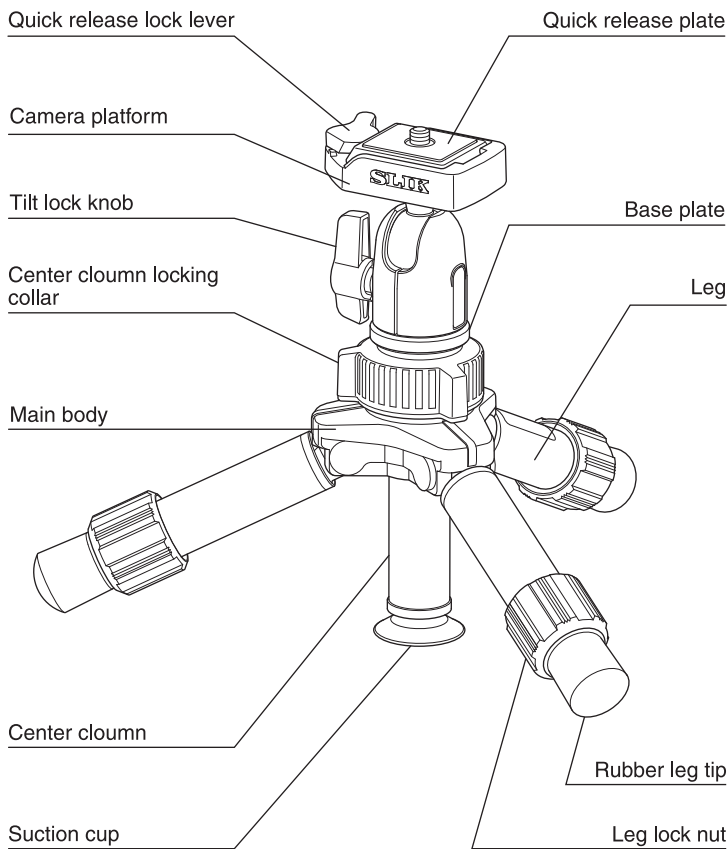
This prohibited icon refers to information pertaining to prohibited contents. Please refer to instructions closely to avoid accidents.

Specification

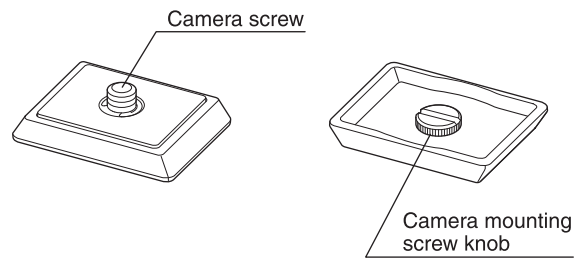
Folded length	205 mm (8 1/2")
Max. operating height	226 mm (8 5/6")
Max. center column ext.	45 mm (1 3/4")
Weight	350g (13oz)

L153

Components



Quick release plate



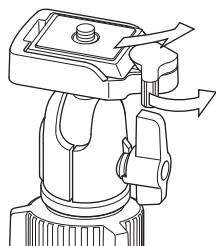
Equipment that can be loaded on this tripod

🚫 Prohibition

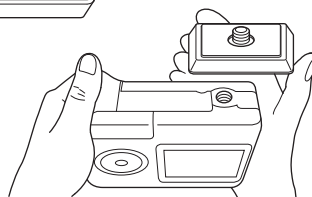
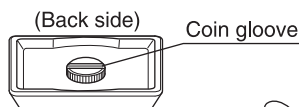
This product has been designed to handle equipment weighing under 2 kgs (4 lbs 6 oz). Do not overload. Some equipments weighing under 2 kgs (4 lbs 6 oz), such as long lenses, may not balance well due to its weight distribution. In such case, please use a larger tripod.

Attaching the camera to the Quick release platform

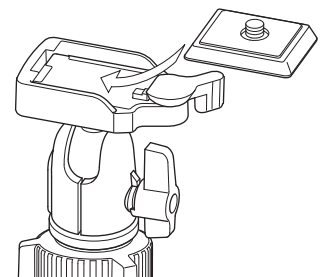
⚠ Caution



To remove the Quick release plate, turn the Quick release lock lever. In this case do not put the lock lever back by force as it has been stood by the stopper.

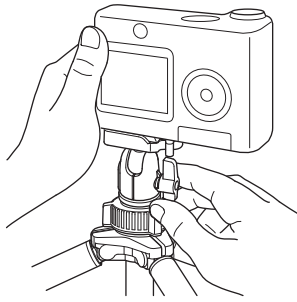


Insert the Camera mounting screw on the Quick release plate in the place of the tripod attachment screw of your camera. Turn the Camera mounting screw knob and fix firmly.

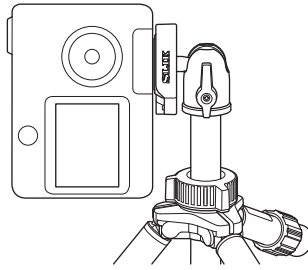


To attach the plate, slide into Quick release plate slantways. It will be closed automatically after attaching. Fasten the plate lock lever tightly. It must be certainly locked.

Using the pan head

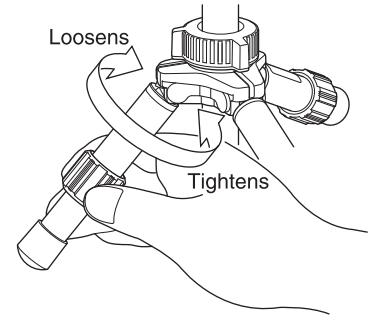


(The example of vertical position photography)



Note: For vertical photos the Camera platform can be tilted 90 degrees in either direction.

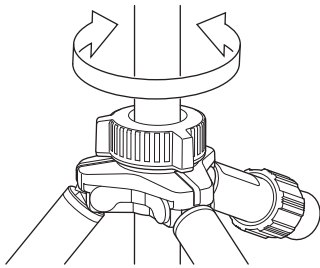
Extending the tripod legs



To extend any leg, turn the Leg lock nut one half turn counterclockwise.

Extending the center column

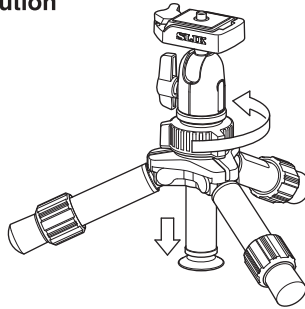
Caution



Loosen the Center column locking collar by turning it counterclockwise. Raise the Center column to the desired height and lock in place by turning the collar clockwise.

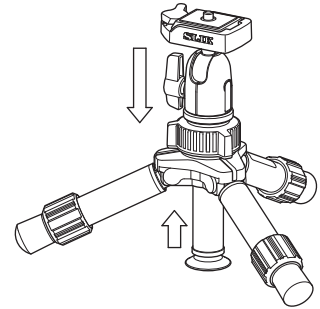
Using the suction cup

Caution



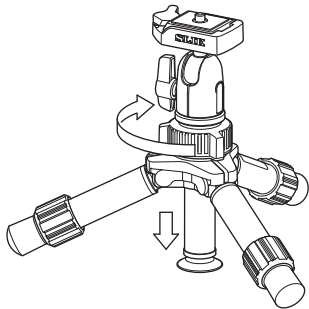
A. Release the Center column locking collar.
B. Place the Suction cup against a smooth surface.

Note: The surface must be smooth and flat to use the Suction cup.



C. Press the tripod down against the surface and pull the Center column up slightly.

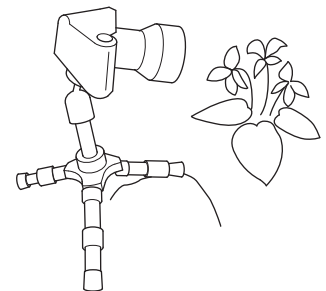
Using Your MINI-PRO DQ



D. Lock the Center column locking collar.



Use as a chest pod provides extra support for your Camera.



Ideal for low angle photography.

Care of the tripod

- DO NOT apply any grease or oil to this product.
- Clean with a mild detergent and a soft cloth only.
- DO NOT use close to flame. Avoid extreme heat.



Slik Corporation reserves the right to make changes in design and/or improvements on the products without any obligation and advanced notice.

SLIK CORPORATION

853 Kayama, Hidaka City, Saitama 350-1231, Japan Phone 81-42-989-2141, Fax. 81-42-985-0210 ©2009

Printed in Thailand