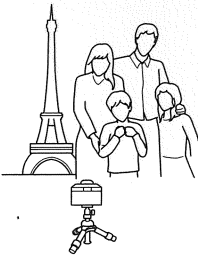


SLIK®

MINI-PRO III

- Excellent as table pod, chest pod, or even a wall pod. Ideal for low angle and close-up photography.
- Compact ball head allows for orienting the camera to almost any angle.
- Complete with pouch case.
- Suction cup at bottom of center column for increased stability.

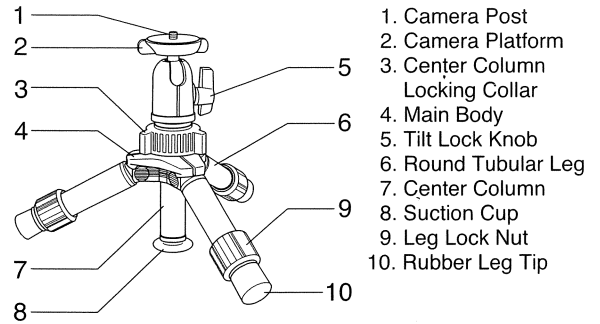


SLIK®

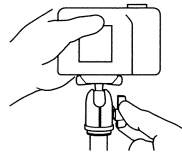
MINI-PRO III

Length folded	205 mm (8 1/12")
Max. operating height	220 mm (8 2/3")
Max. center column ext.	45 mm (1 3/4")
Weight	320 g (11 oz)

Components

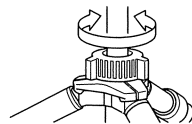


How to operate ball head



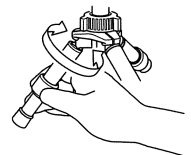
Loosening a Tilt Lock Knob and rotate the Camera Platform having your camera. Then, attach your camera on the Camera Platform. Move the Camera Platform freely and tighten a Tilt Lock Knob firmly after the fixing of an angle.

Elevating the Center Column



Loosen the Center Column Locking Collar by turning it counterclockwise. Raise the Center Column to the desired height and lock in place by turning the Collar clockwise.

Extending the Tripod Legs

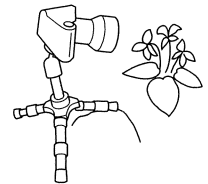


To extend any leg, turn the Leg Lock Nut one half turn counterclockwise.

Using Your MINI-PRO III



Use as a chest pod provides extra support for your camera.



Ideal for low angle photography.

©2004 SLIK CORPORATION

SLIK CORPORATION
853 Kayama, Hidaka City,
Saitama 350-1231, Japan
Phone. 81-42-989-2141

MADE IN THAILAND



0 49368 70056 6