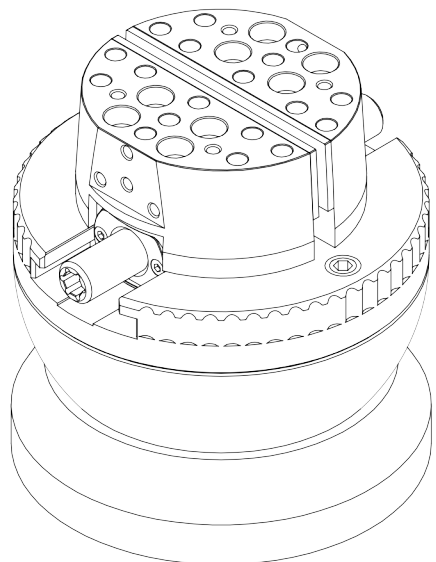


ENGRAVING BLOCK 100MM



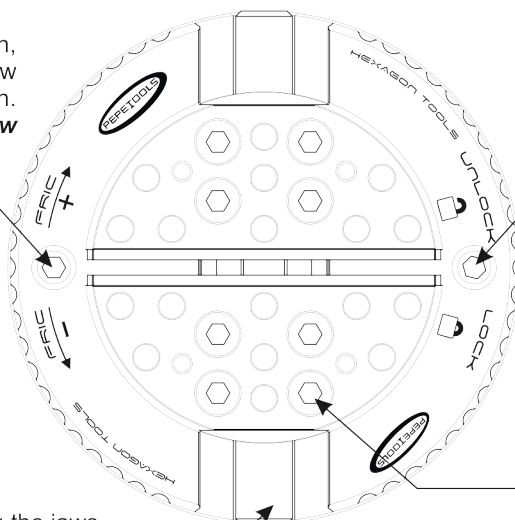
OPERATING INSTRUCTIONS



Engraving Vice is designed for clamping different components in variety of industries including jewelry, watch making, coin engraving, stone setting ... etc.

Engraving block 100mm is completely manufactured from Stainless Steel grade AISI304 for highest corrosion resistance. Clamping jaws are hardened to 57-60 Rockwel Hardness, drilled to accept standard 5mm pins for clamping odd shapes. Clamping surface can receive additional jaw inserts by mounting them with M4 screws, these can be copper, plastic, tin... etc. Highest clamping force is provided by combination of Acme threaded bolt and nut combination with 2mm pitch, this as well provides quick open/close of the jaws. Vice is equipped with sealed bearing for long maintenance free operation.

For adjusting the friction of rotation, of the base plate turn the screw accordingly in the direction shown. **Please be informed that this screw is not used for locking the vice.**



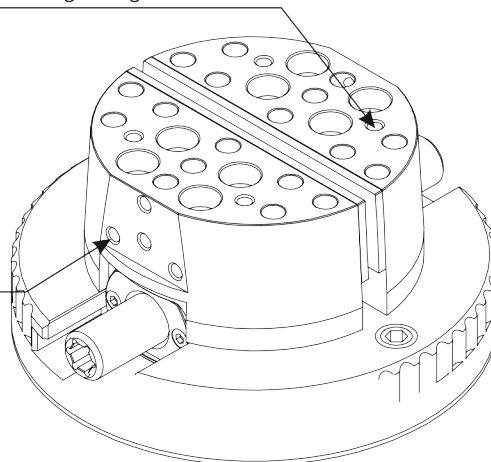
For locking and unlocking the vice rotation turn the screw accordingly in the direction shown. Use light to moderate force to tighten the screw.

For opening/closing the jaws, turn the screw accordingly.

To remove the jaws completely from the sliders unscrew 8 bolts shown.

Screws M4 used for attaching Jaws for coin engraving

Screws M4 used for attaching Ring Holding Attachment

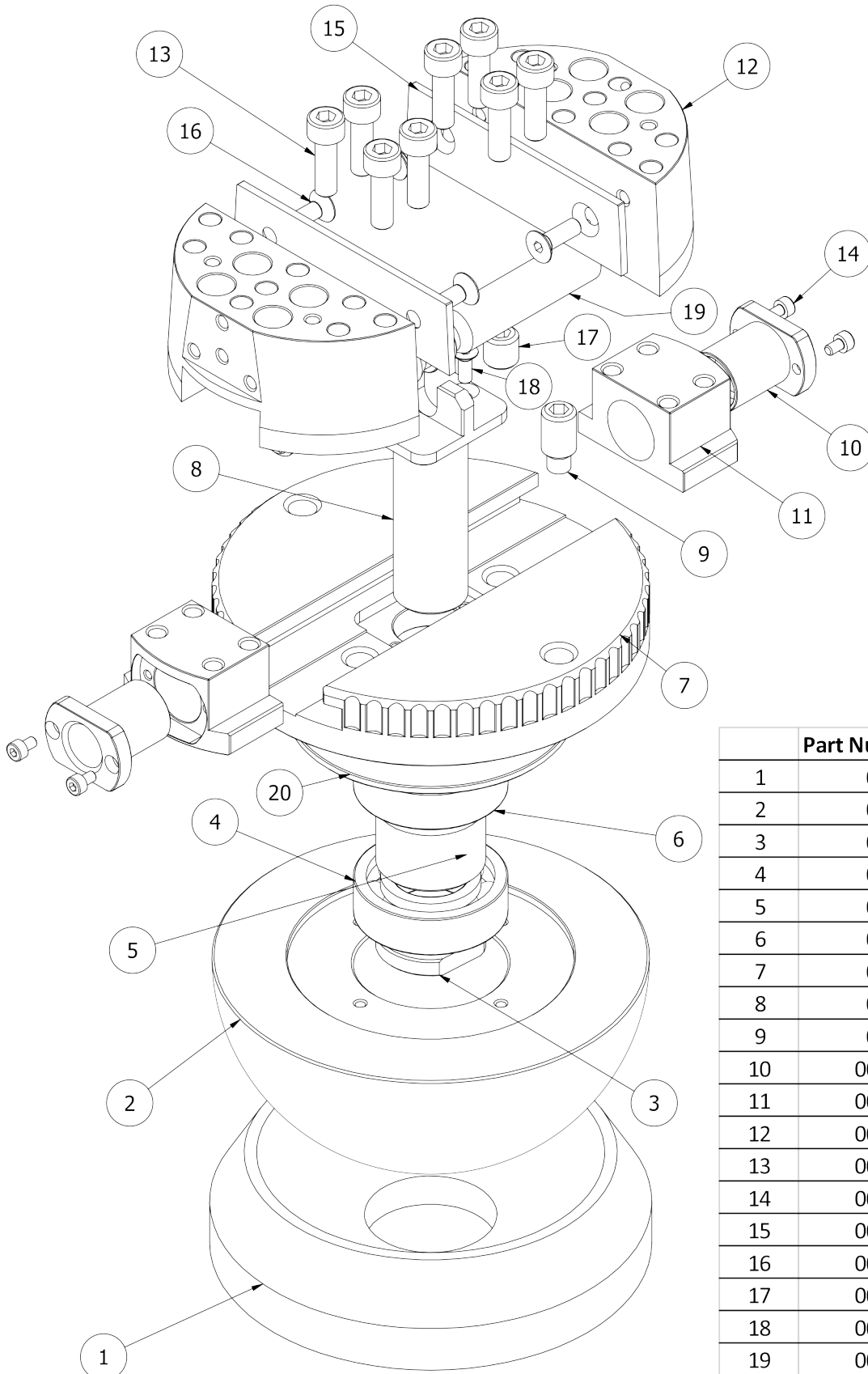


Be advised, complete disassembly of the engraving block is not recommended in home workshop, as it requires special tools, and exact disassembly procedure. Do it at your own risk. WARRANTY DO NOT APPLY IF DISASSEMBLY IS DONE NOT BY AUTHORIZED PERSONAL.

ENGRAVING BLOCK 100MM



PART LIST



	Part Number	Part Name
1	0001-1	Base
2	0001-2	Ball Body
3	0001-3	Bearing Nut
4	0001-4	Lower Bearing
5	0001-5	Spacer
6	0001-6	Upper Bearing
7	0001-7	Rotating Plate
8	0001-8	Shaft
9	0001-9	Lock Bolt
10	0001-10	Bronze Nut
11	0001-11	Slider
12	0001-12	Jaws
13	0001-13	Jaw Bolts
14	0001-14	Bronz Nut Bolts
15	0001-15	Jaw Inserts
16	0001-16	Jaw Insert bolts
17	0001-17	Cover Bolts
18	0001-18	Shaft Bolts
19	0001-19	Main Force bolt
20	0001-20	Bearings Cover